

(DELUXE SHOW CASE)



LRT-771G
LFT-771G



LRT-1471G
LFT-1471G



LRT-72TG

TABLE OF CONTENTS

1. SPECIFICATIONS	4~9
2. PARTS	7~76
3. WIRING DIAGRAM	77~81
4. MAIN COMPONENTS	82~98
5. ELECTRONIC CONTROL INSTRUCTIONS	99~121
6. HOW TO REPLACE THE DOOR.....	122~125
7. PART LIST	122~127



Safety cautions during service

- **When exchanging or repairing electric parts, pull the plug out before exchanging and repairing.**
- **When exchanging electric parts, use a rating part.**
 - Be sure to check marks such as MODEL name, rating voltage, rating currents, movement temperature etc.
- **During repairing, make sure wirings such as HARNESS, WIRE JOINT are sturdy so that it is free of danger due to disclosure of core wire.**
 - Don't LRT it derail when certain strength is put on.
- **When repairing, take out the dust or foreign body (Housing part, wiring part, contact point part).**
 - It prevents danger of fire such as TRACKING, SHORT.
- **Check whether water has gone into the electric parts.**
 - When there are traces of water, exchange the parts or enact the TRACKING prevention device.
- **After repairing, check the assembly status of the parts.**
 - Keep the status as it was before the repairing. .
- **After checking the usage environment of the product and if the installation is unstable, change the usage location.**
 - For installations in places with moisture, water and for heat devices, prevent placing products near igniting materials etc.
- **When earthing is needed, earth it.**
 - For cases when electric leakage is concerned due to moisture or water, be sure to earth it.
- **For products that consumes power such as electric products, make sure numerous plugs are not used in a single outLRT.**

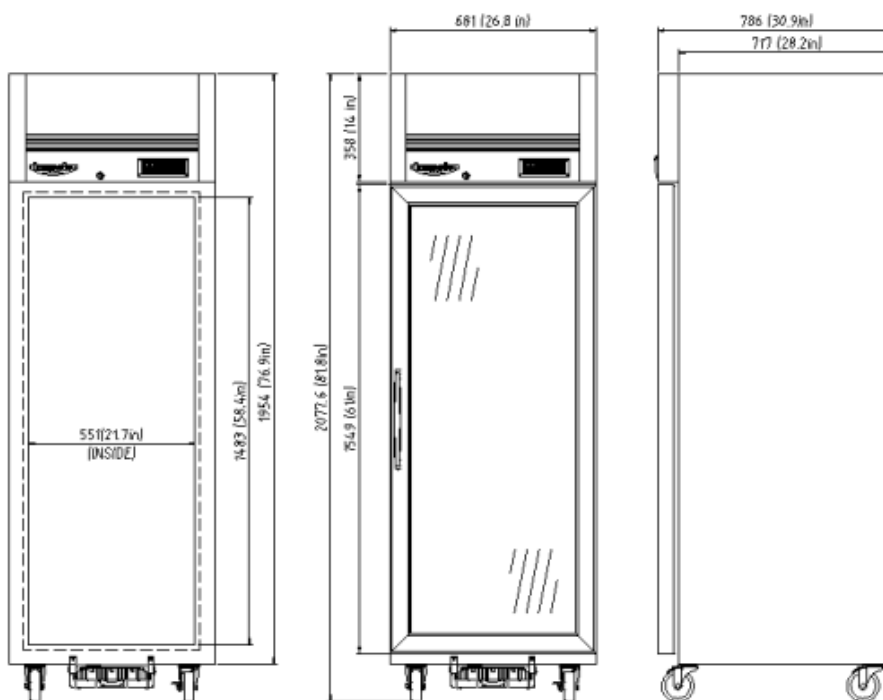
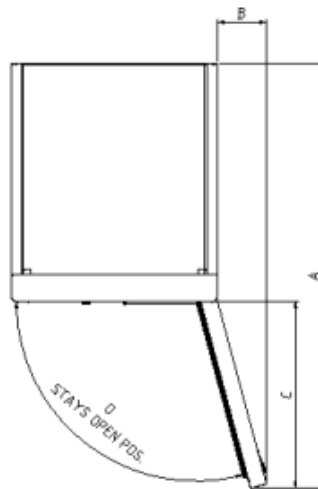
1. Specifications

A. Dimensions

1. LRT-771G, LFT-771G

mm (in)

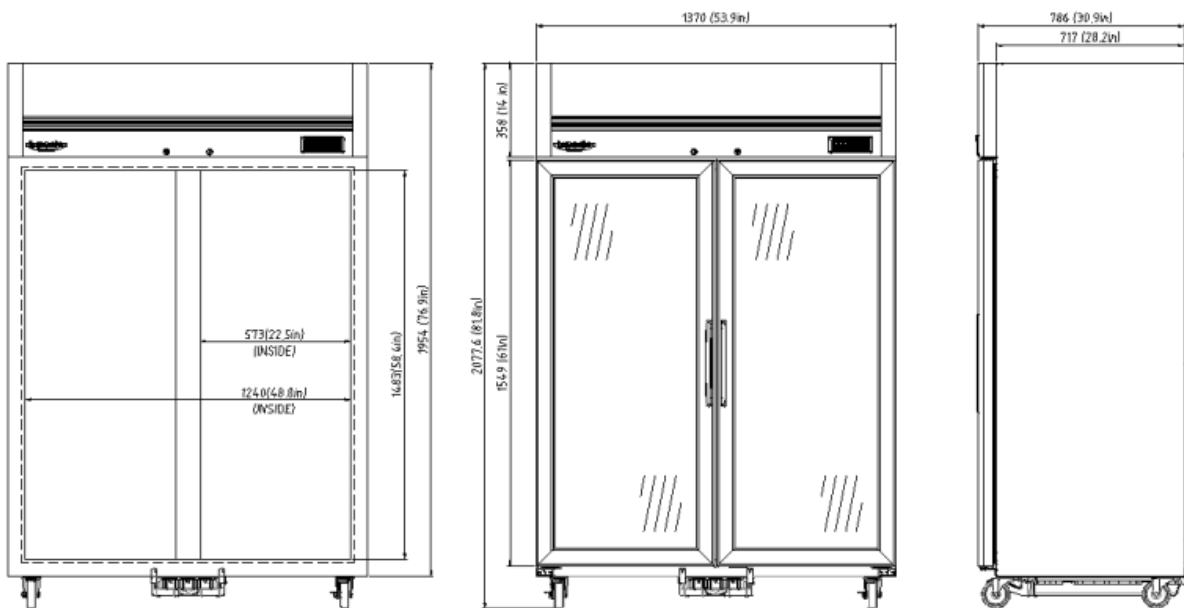
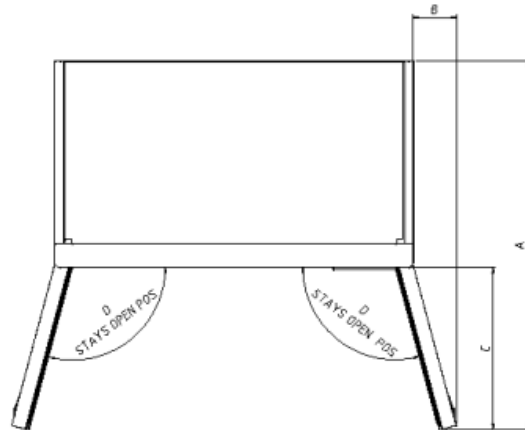
MODEL	A	B	C
LRT-771G	1403	163	617
LFT-771G	(55.2in)	(6.4in)	(24.7in)



2. LRT-1471G, LFT-1471G

mm (in)

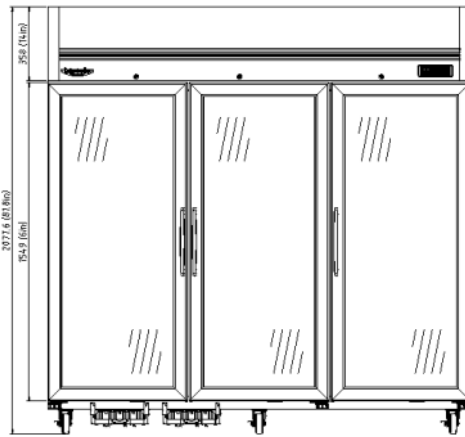
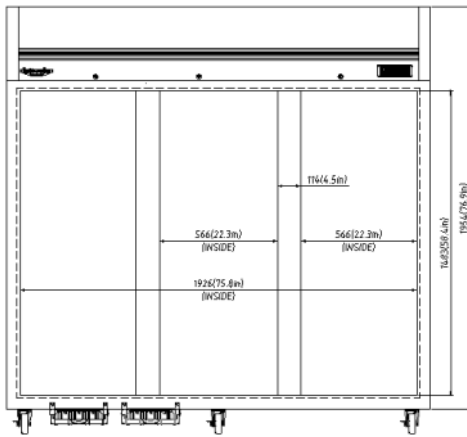
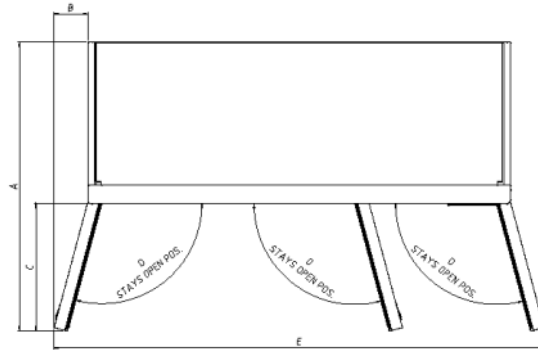
MODEL	A	B	C
LRT-1471G	1403	163	617
LFT-1471G	(55.2in)	(6.4in)	(24.7in)



3. LRT-72TG

mm (in)

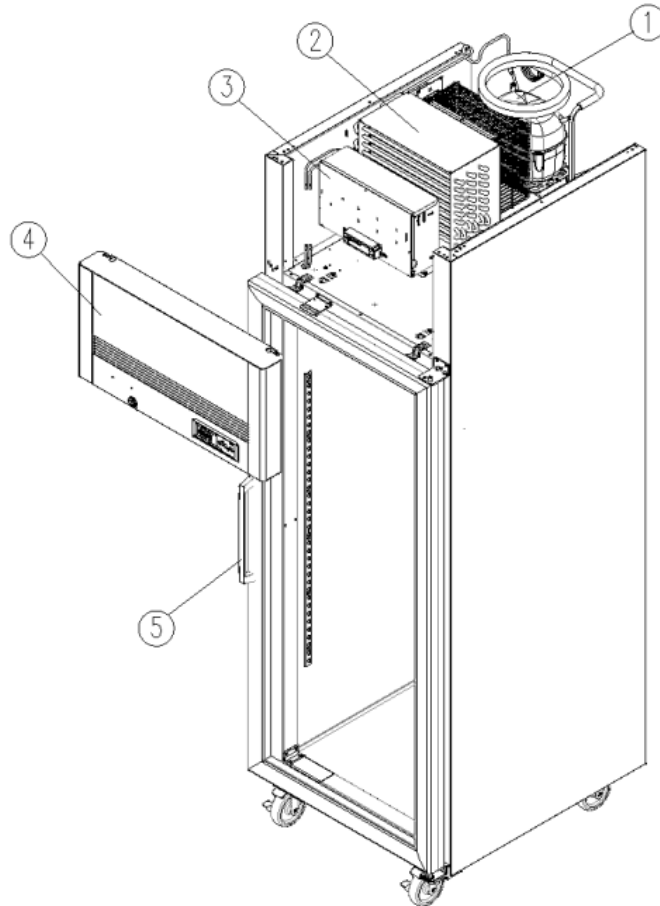
MODEL	A	B	C
LRT-72TG	1403 (55.2in)	163 (6.4in)	617 (24.7in)



2. PART

A. Main Assembly

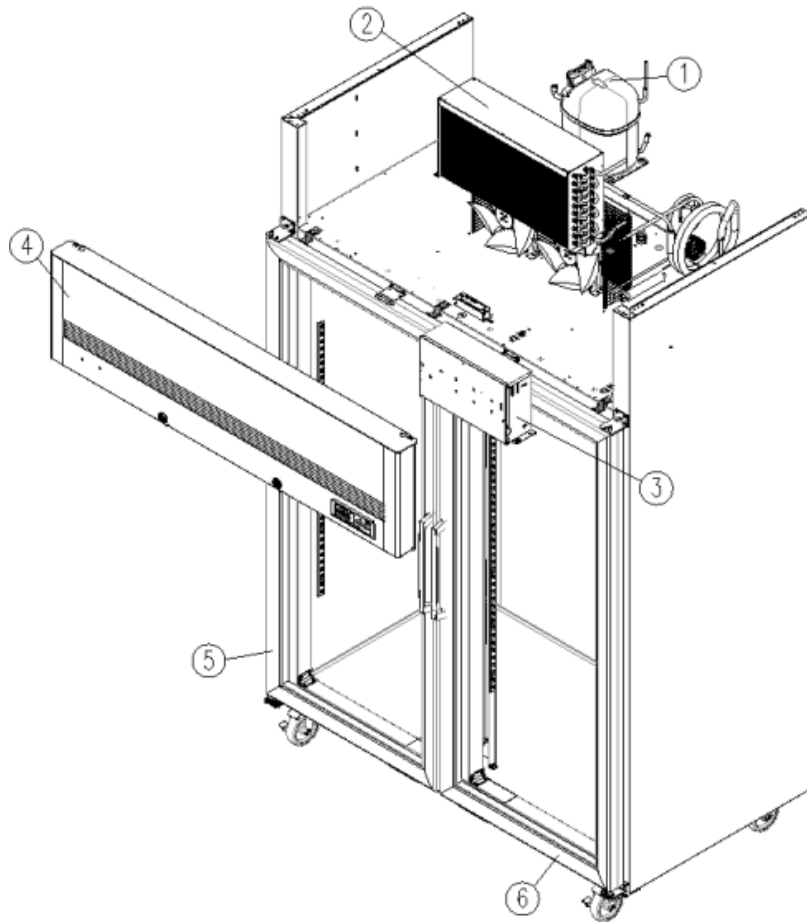
1. LFT-771G, LRT-771G



Model	NO.	Model Code	Description	Qty	Material	Spec
LFT-771G	1	R7439-600	Compressor	1	-	SC18CLX2
	2	R865A-130	Condenser	1	Cu	
	3	R858D-130	Assy Control Box	1	-	
	4	R818B-090	Top Grill As	1	-	
	5	R817B-280	Assy Door Glass TM RH-FRE	1	-	115V/55W

Model	NO.	Model Code	Description	Qty	Material	Spec
LRT-771G	1	R7439-110	Compressor	1	-	SK1A1C-L2W
	2	R8633-010	Condenser	1	SWST	
	3	R858D-120	Assy Control Box	1	-	
	4	R818B-090	Top Grill As	1	-	
	5	R817B-260	Assy Door Glass TM RH-REF	1	-	115V/20W

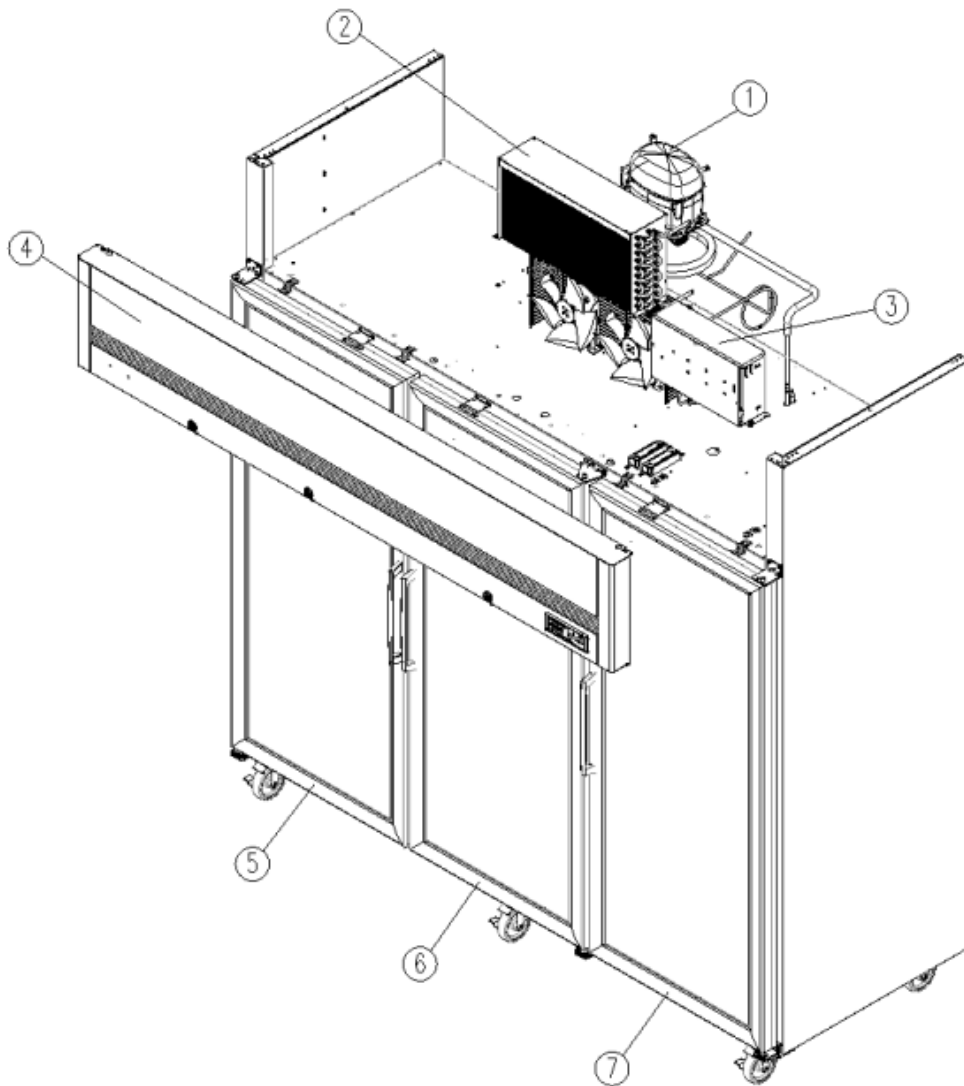
2. LFT-1471G, LRT-1471G



Model	NO.	Model Code	Description	Qty	Material	Spec
LFT-1471G	1	R714A-020	Compressor (GS26CLX)	1	-	220V/60Hz
	2	R2272-030	Condenser	1	CU	-
	3	R858D-150	Assy Control Box	1	-	-
	4	R818B-100	Top Grill As	1	-	-
	5	R817B-270	Assy Door Glass TM LF-FRE	1	-	115V/55W
	6	R817B-280	Assy Door Glass TM RH-FRE	1	-	

Model	NO.	Model Code	Description	Qty	Material	Spec
LRT-1471G	1	R714A-010	Compressor (SC18G)	1	-	115V/60Hz
	2	R2272-013	Condenser	1	CU	-
	3	R858D-140	Assy Control Box	1	-	-
	4	R818B-100	Top Grill As	1	-	-
	5	R817B-250	Assy Door Glass TM LF-REF	1	-	115V/20W
	6	R817B-260	Assy Door Glass TM RH-REF	1	-	

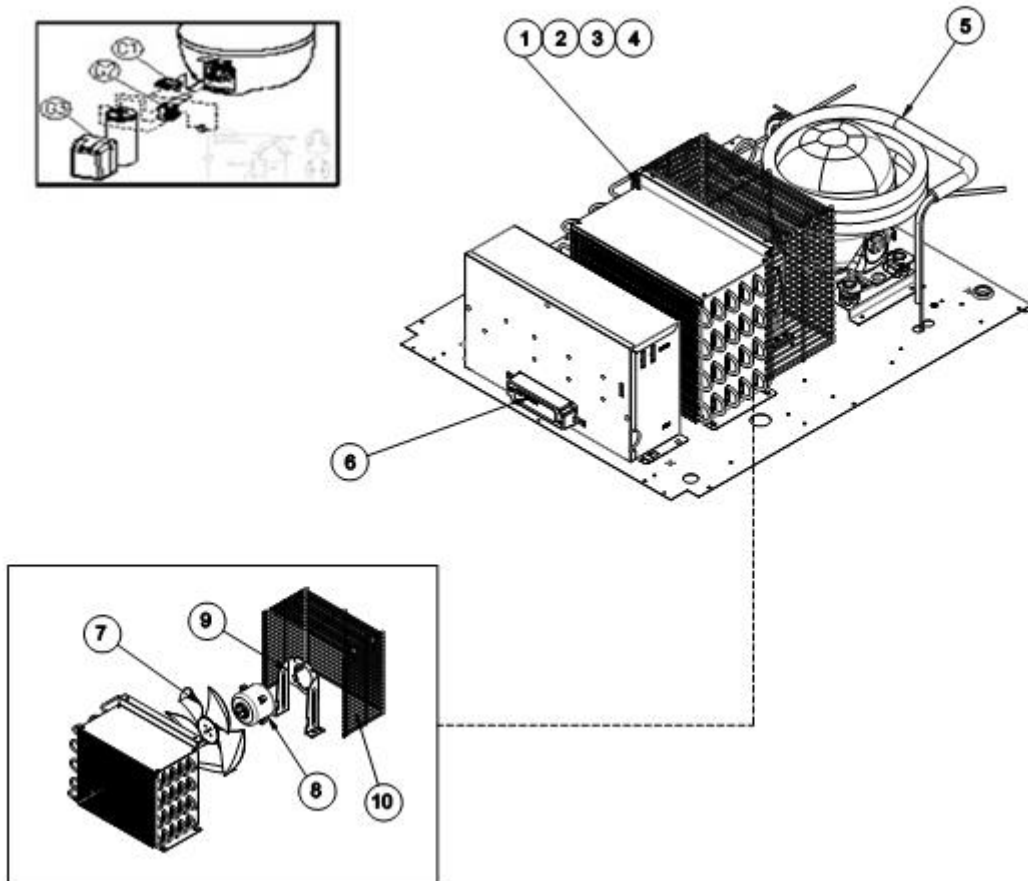
3. LRT-72TG



Model	NO.	Model Code	Description	Qty	Material	Spec
LRT-72TG	1	R7439-600	Compressor (SC18CLX2)	1	-	115V/60Hz
	2	R2272-030	Condenser	1	CU	-
	3	R858D-160	Assy Control Box	1	-	-
	4	R818B-110	Top Grill As	1	-	-
	5	R817B-250	Assy Door Glass TM LF-REF	1	-	115V/20W
	6	R817B-260	Assy Door Glass TM RH-REF	2	-	
	7				-	

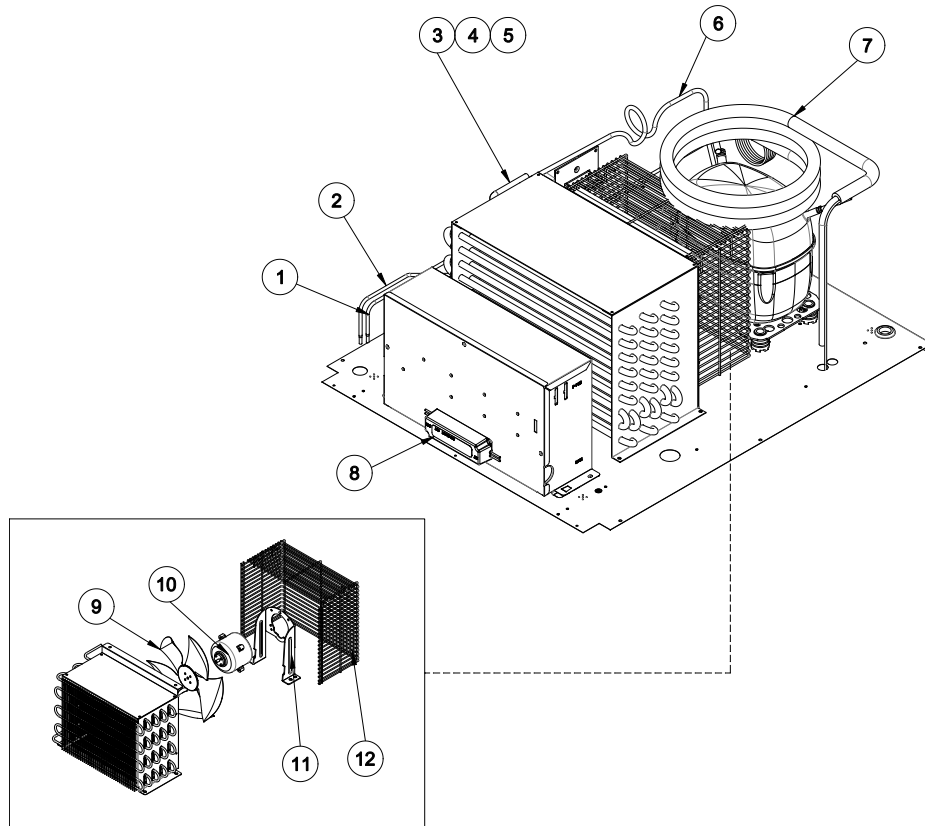
B-1. Assembly Uint

a. LRT-771G



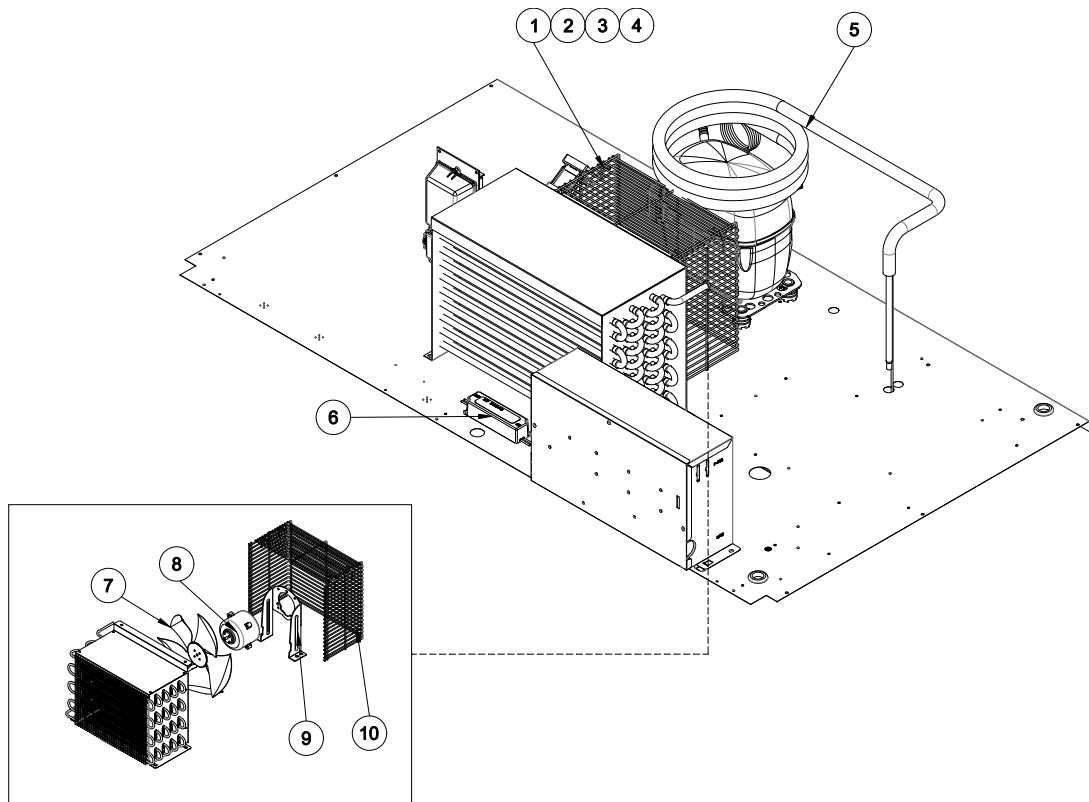
NO.	Model Code	Description	Qty	Material	Spec
1	R319A-190	Pipe Discharge	1	CU CT-1220	OD4.76*T0.7
2	R2113-981	Pipe Connect Dryer	1	CU	OD4.76*T0.7*L220
3	R2183-032	Dryer	1	CU	R-134a, 36G
4	R2104-610	Tube Vaccum	1	CU	T0.6.6*ID6.35*L120
5	R8603-833	Pipe Suction	1	CU	Ø3.0* Ø1.4*3100
6	R710A-020	Ballast (Converter)	1	-	115V DC12V
7	R3729-050	Condenser Fan Motor Blade	1	AL	9" CW
8	R7423-311	Condenser Fan Motor	1	-	115V/60Hz DAI-8204DYCA, CW
9	R315A-050	Bracket C-Fan Motor	1	GI	T2
10	R3813-791	Fan Cover Wire	1	MSWR10	Φ2.5
G1	R7519-070	Overload Protector	1	-	4TM795TFB-53
G2	R7539-110	Posistor	1	-	220M
G3	R3813-900	Cover Relay	1	-	HOOK TYPE, S

b. LFT-771G



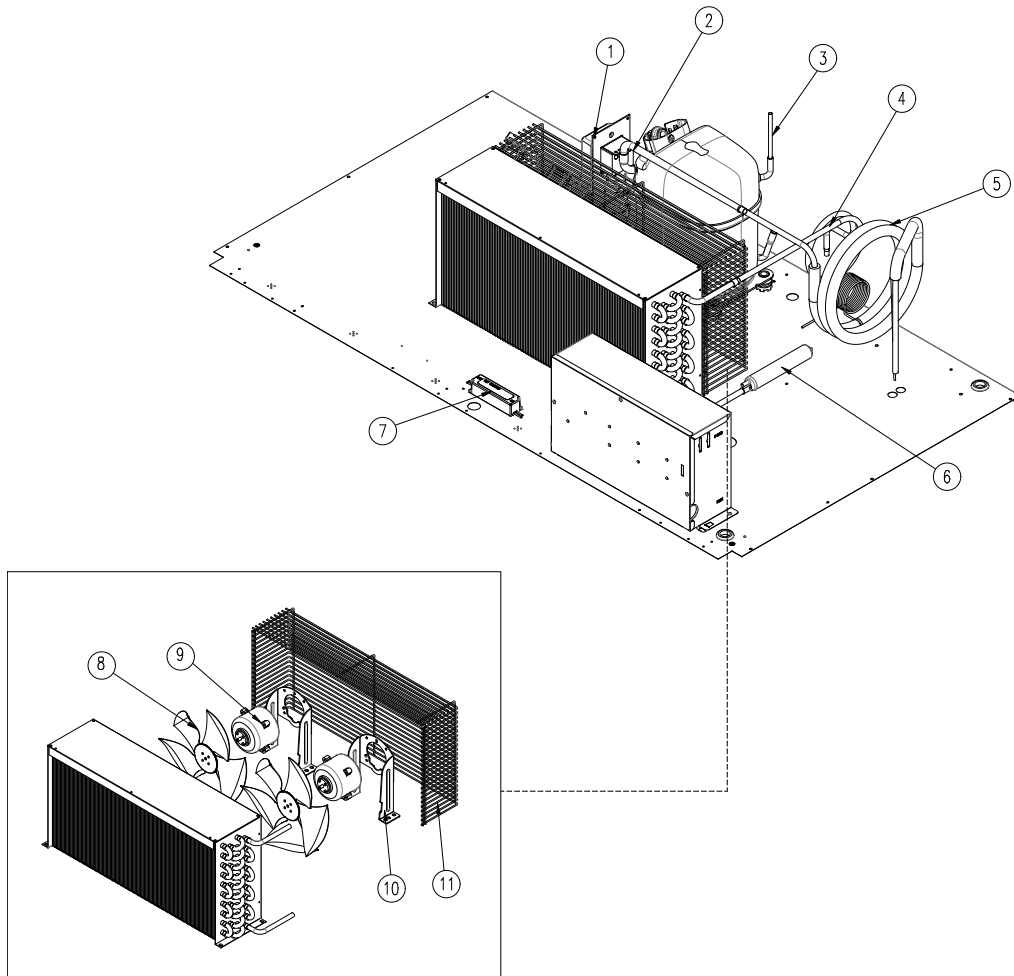
NO.	Model Code	Description	Qty	Material	Spec
1	R319A-800	Pipe Cond Outlrt	1	CU	OD4.76*T0.7*319
2	R319A-470	Pipe Dryer Inlrt	1	CU	OD4.76*T0.7*L506.5
3	R2183-032	Dryer	1	CU	R-134a, 36G
4	R2104-421	Condenser Dryer Pipe	1	CU	T0.7*ID4.76*321
5	R867A-010	Assy Relay Box	1	-	115V 117-7045
6	R319A-810	Pipe Discharge	1	CU	OD6.35*T0.7*699.4
7	R845A-380	Assy Suction Pipe	1	CU	OD3.0*ID1.6*ID1.4*3800
8	R710A-020	Ballast (Converter)	1	-	115V DC12V
9	R3729-050	Condenser Fan Motor Blade	1	AL	9" CW
10	R7423-311	Condenser Fan Motor	1	-	115V/60Hz DAI-8204DYCA, CW
11	R315A-050	Bracket C-Fan Motor	1	GI	T2
12	R3813-791	Fan Cover Wire	1	MSWR10	Φ2.5

c. LRT-1471G



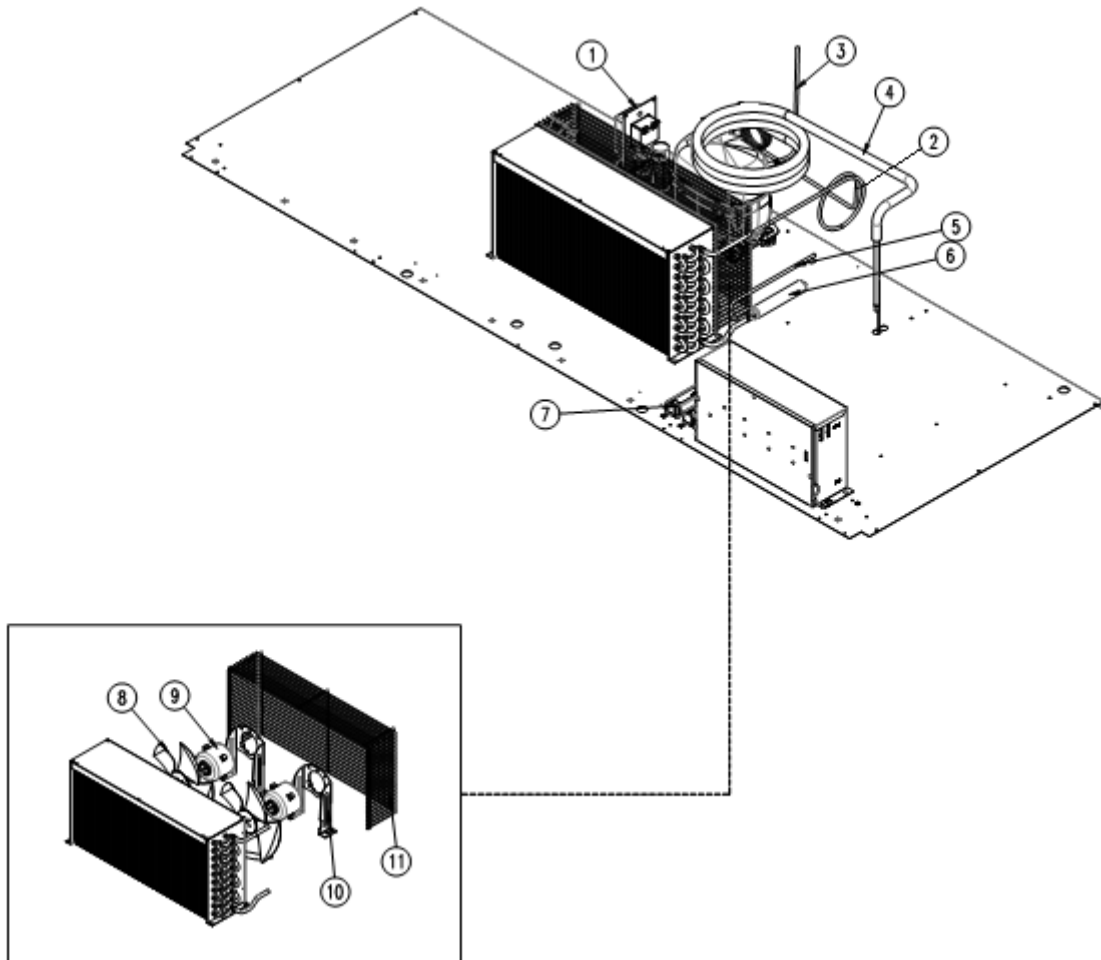
NO.	Model Code	Description	Qty	Material	Spec
1	R319A-580	Pipe Condenser dryer	1	CU	OD4.76*T0.7*L482.8
2	R867A-020	Assy Relay Box	1	-	115V/60Hz 117-7053
3	R2113-570	Pipe Discharge	1	CU	Ø6.35*T0.7*1215
4	R2813-200	Dryer	1	CU	R-404A, 24G
5	R845A-210	Assy Suction Pipe	1	CU	OD7.94*OD3*ID1.3*3100
6	R710A-020	Ballast (Converter)	1	-	115V DC12V
7	R3729-050	Condenser Fan Motor Blade	1	AL	9" CW
8	R7423-311	Condenser Fan Motor	1	-	115V/60Hz DAI-8204DYCA, CW
9	R315A-050	Bracket C-Fan Motor	1	GI	T2
10	R3813-781	Fan Cover Wire	1	MSWR10	Φ2.5

d. LFT-1471G



NO.	Model Code	Description	Qty	Material	Spec
1	R867A-030	Assy Relay Box	1	-	230V/60Hz 117-7073
2	R2114-330	Compressor Pull Out B	1	CU	Ø12.7*0.7*L310
3	R2104-610	Tube-Vaccum	1	CU	OD6.35*T0.6*L120
4	R2113-311	Condenser Connector	1	CU	OD9.54*T0.7*L860
5	R845A-220	Assy Suction Pipe	1	CU	OD9.52+OD3*ID1.4*4800
6	R2183-200	Dryer Assy	1	CU	R-404A, 24G
7	R710A-020	Ballast (Converter)	1	-	115V DC12V
8	R3729-050	Condenser Fan Motor Blade	2	AL	9" CW
9	R7423-311	Condenser Fan Motor	2	-	115V/60Hz DAI-8204DYCA, CW
10	R315A-050	Bracket C-Fan Motor	2	GI	T2
11	R3813-770	Fan Cover Wire-B	1	-	MSWR10, OD2.6

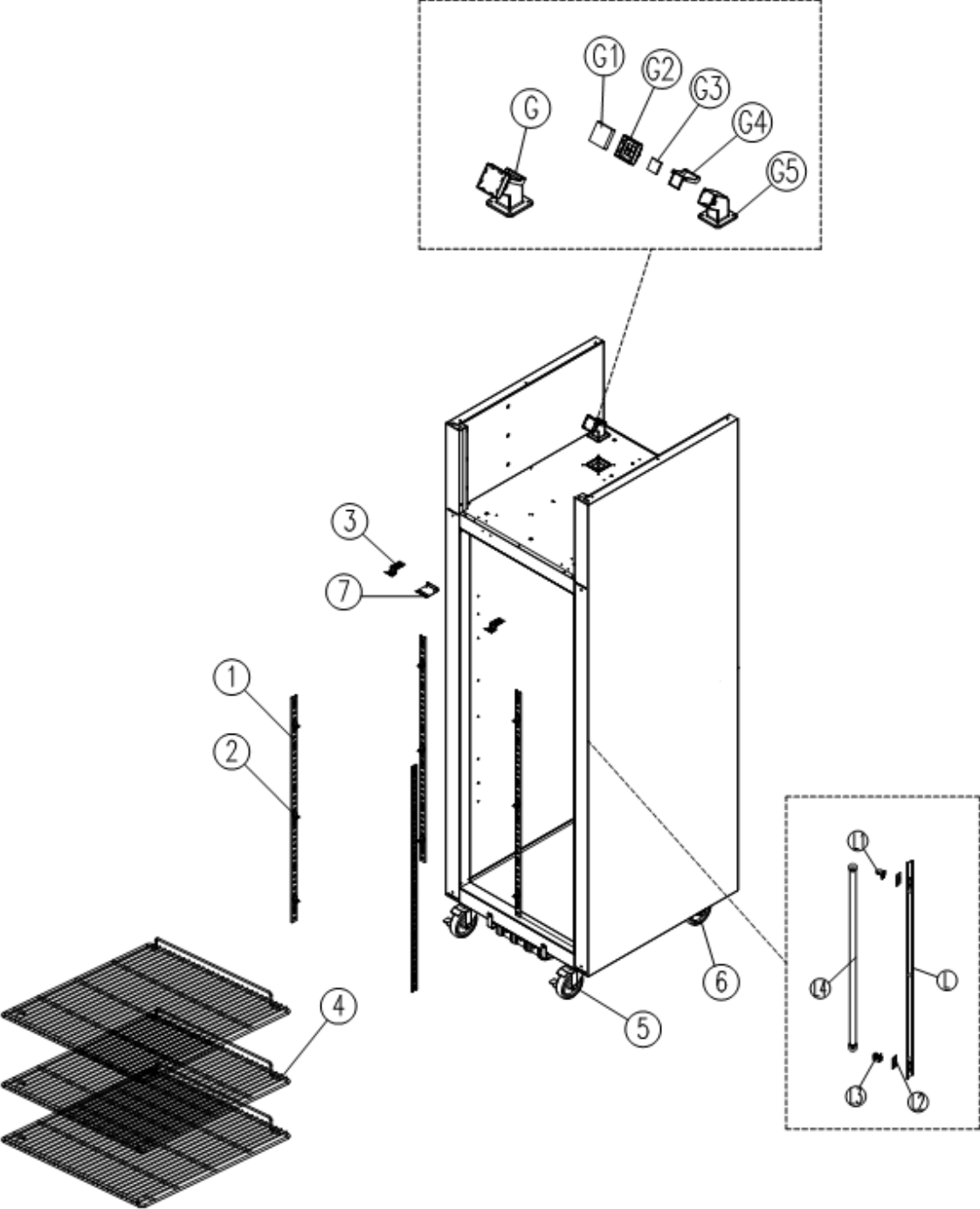
e. LRT-72TG



NO.	Model Code	Description	Qty	Material	Spec
1	R867A-010	Assy Relay Box	1	-	115V 117-7045
2	R2113-570	Discharge Connector	1	CU	OD6.35*T0.7*L1215
3	R2114-321	Compressor Charging Pipe	1	CU	OD6.35*T0.7
4	R845A-231	Assy Suction Pipe	1	CU	OD9.52+OD3*ID1.3*4500
5	R2104-421	Condenser Dryer Pipe	1	CU	OD4.76*T0.7*L321
6	R2183-200	Dryer Assy	1	CU	R-404A, 24G
7	R710A-020	Ballast (Converter)	2	-	115V DC12V
8	R3729-050	Condenser Fan Motor Blade	2	AL	9" CW
9	R7423-311	Condenser Fan Motor	2	-	115V/60Hz DAI-8204DYCA, CW
10	R315A-050	Bracket C-Fan Motor	2	GI	T2
11	R3813-770	Fan Cover Wire-B	1	-	MSWR10, OD2.6

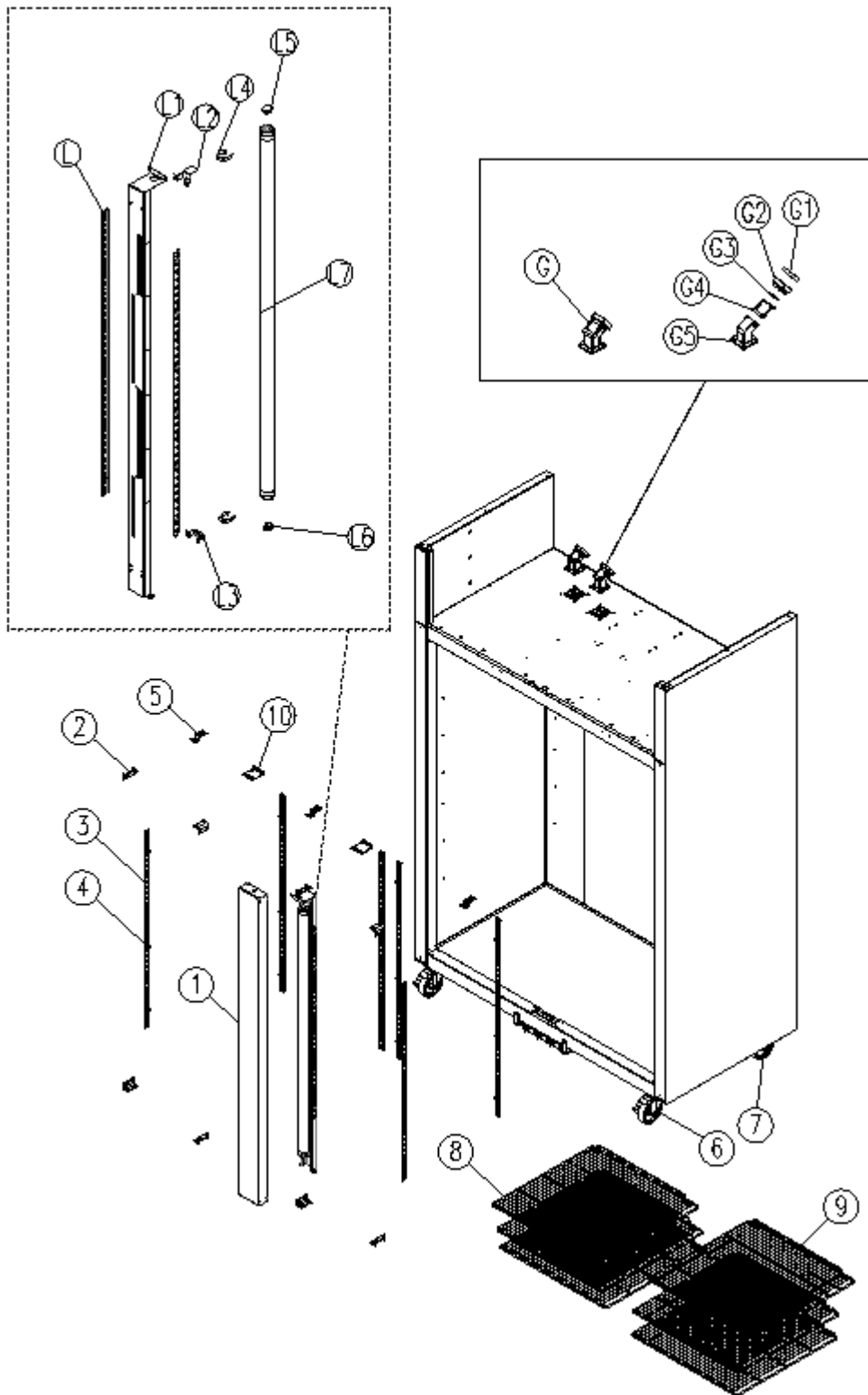
C. Body Assembly

a. LRT-771G, LFT-771G



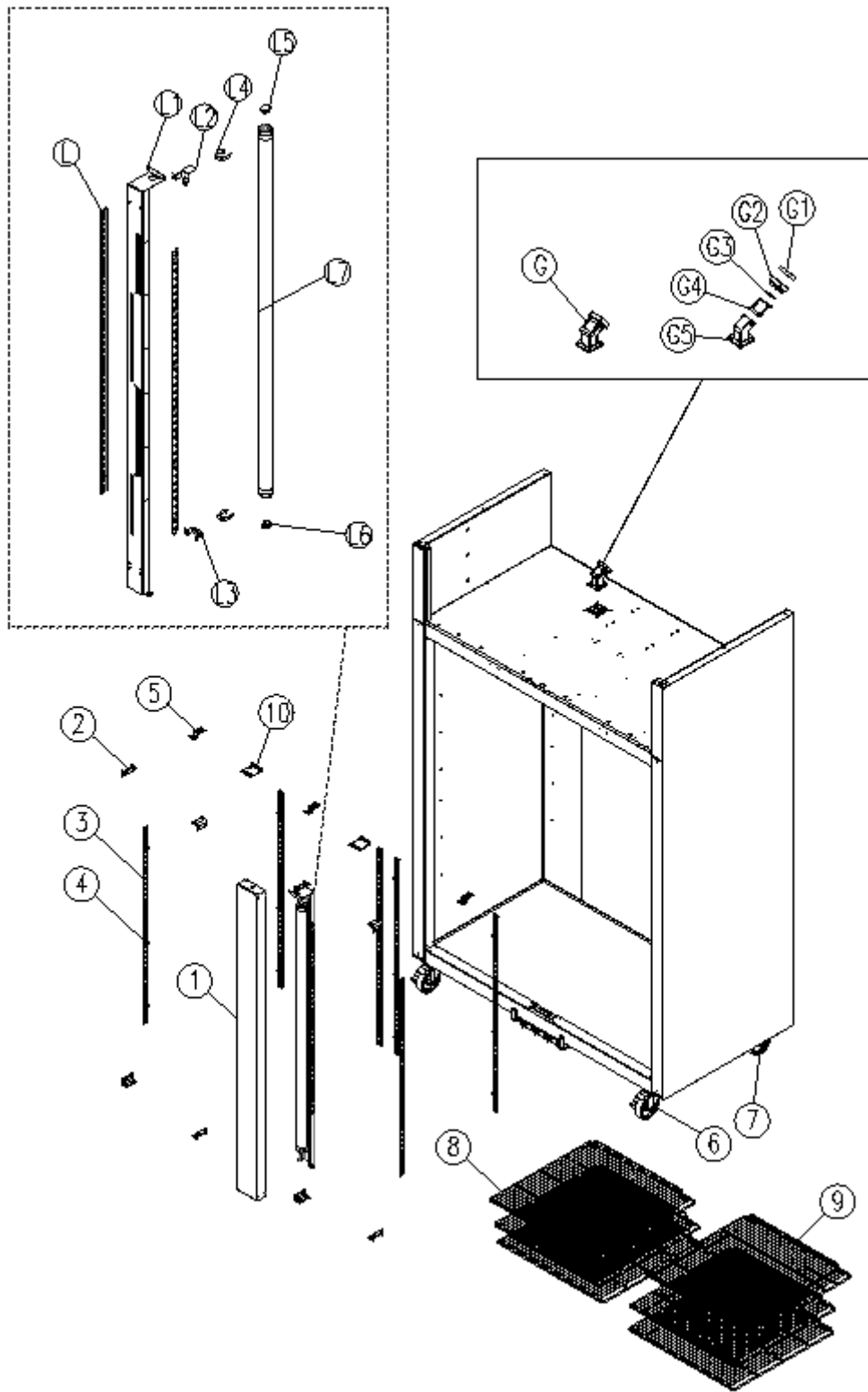
NO.	Model Code	Description	Qty	Material	Spec
1	R3373-630	Shelf Standard L	4	AL	T1.2, L930
2	R8429-022	Assy Shelf Clip	14	POM	White
3	R3314-602	U-Cover Bracket A	2	EGI	T1*81.61*20
4	R3233-182	Shelf Assy 23G	3	MSWR10	W539*D580
5	R3323-230	Caster 4"	2	-	4" Move
6	R3323-240	Caster 4"	2	-	4" Stop
7	R315A-471	Bracket Door Lock A	1	GI	T1.6*56*77.9
G	R8173-130	Check Valve AS	1	-	-
G1	R3253-050	Filter Check Valve	1	FILTER FOME	#10. T10. Black
G2	R3253-041	Cap Check Valve	1	ABS	45.5*45.5*23.5
G3	R3253-061	Packing Flap	1	PE	T4. White
G4	R3253-030	Flap Check Valve	1	ABS	40.5*45*36
G5	R3253-020	Body Check Valve	1	ABS	60*60*75.05
L	R376A-220	Supporter Lamp 23G	1	STS304	T0.6*62.6*1352
L1	R7394-201	Lamp Socket B	1	ABS	UL94-VO
L2	R3373-800	Socket Bracket	2	STS443CT#4	T0.5*40*70
L3	R7394-211	Lamp Socket C	1	ABS	UL94-VO
L4	R833A-081	Assy Lamp LED	1	-	DC12V

b. LFT-1471G



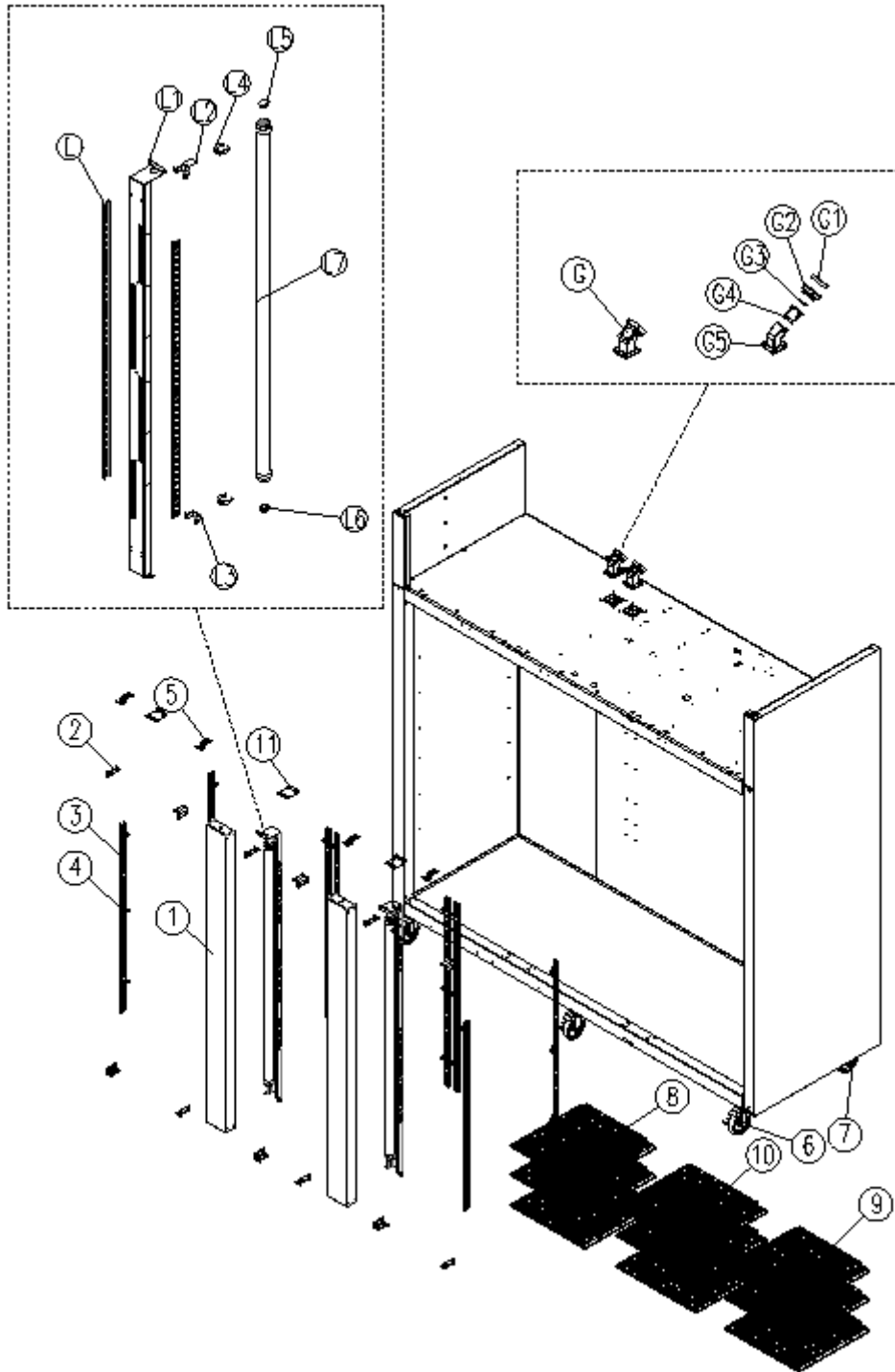
NO.	Model Code	Description	Qty	Material	Spec
1	R816B-120	Assy Cross Bar TM	1	STS443CT	TM49/72 Hot Pipe
2	R325A-030	Cover Corner	8	ABS	28.5*28.5*53
3	R3373-630	Shelf Standard L	8	AL	T1.2*930
4	R8429-012	Assy Shelf Clip	26	POM	White
5	R3314-602	U-Cover Bracket A	3	GI	1T*81.61*20
6	R3323-230	Caster 4"	2	-	4" Move
7	R3323-240	Caster 4"	2	-	4" Stop
8	R836A-320	Assy Shelf Packing LF 49G	1	MSWR10	NSF, W609*D580
9	R836A-330	Assy Shelf Packing RH 49G	1	MSWR10	NSF, W609*D580
10	R315A-471	Bracket Door Lock A	2	GI	T1.6*56*77.9
G	R8173-130	Check Valve AS	1	ABS	-
G1	R3253-050	Filter Check Valve	1	Filter Foam	#10, T10, Black
G2	R3253-041	Cap Check Valve	1	ABS	45.5*45.5*23.5
G3	R3253-061	Packing Flap	1	PE	T4, White
G4	R3253-030	Flap Check Valve	1	ABS	40.5*45*36
G5	R3253-020	Body Check Valve	1	ABS	60*60*75.05
L	R3373-630	Shelf Standard L	4	AL	T1.2*L930
L1	R376A-271	Supporter Lamp	2	STS443CT	11.0*129*1440
L2	R315A-550	Bracket LED Lamp UPP	1	ST304 2B	-
L3	R3314-391	Bracket Lamp LOW	1	ST304 2B	-
L4	R315A-510	Bracket Lamp Socket	2	-	37*35*13
L5	R838A-390	Assy Harness Socket	1	-	-
L6	R723A-090	Lamp Socket C	1	ABS	UL 94-VO
L7	R833A-081	Assy Lamp LED	2	-	DC12V L1200

c. LRT-1471G



NO.	Model Code	Description	Qty	Material	Spec
1	R816B-120	Assy Cross Bar TM	1	STS443CT	TM49/72 Hot Pipe
2	R325A-030	Cover Corner	8	ABS	28.5*28.5*53
3	R3373-630	Shelf Standard L	8	AL	T1.2*L930
4	R8429-012	Assy Shelf Clip	26	POM	White
5	R3314-602	U-Cover Bracket A	3	GI	T1*81.61*20
6	R3323-230	Caster 4"	2	-	4" Move
7	R3323-240	Caster 4"	2	-	4" Stop
8	R836A-320	Assy Shelf Packing LF 49G	1	MSWR10	NSF, W609*D580
9	R836A-330	Assy Shelf Packing RH 49G	1	MSWR10	NSF, W609*D580
10	R315A-471	Bracket Door Lock A	2	GI	T1.6*56*77.9
G	R8173-130	Check Valve AS	1	ABS	-
G1	R3253-050	Filter Check Valve	1	Filter Foam	#10, T10, Black
G2	R3253-041	Cap Check Valve	1	ABS	45.5*45.5*23.5
G3	R3253-061	Packing Flap	1	PE	T4, White
G4	R3253-030	Flap Check Valve	1	ABS	40.5*45*36
G5	R3253-020	Body Check Valve	1	ABS	60*60*75.05
L	R3373-630	Shelf Standard L	4	AL	T1.2*L930
L1	R376A-271	Supporter Lamp	2	STS443CT	11.0*129*1440
L2	R315A-550	Bracket LED Lamp UPP	1	ST304 2B	-
L3	R3314-391	Bracket Lamp LOW	1	ST304 2B	-
L4	R315A-510	Bracket Lamp Socket	2	-	37*35*13
L5	R838A-390	Assy Harness Socket	1	-	-
L6	R723A-090	Lamp Socket C	1	ABS	UL 94-VO
L7	R833A-081	Assy Lamp LED	1	-	DC12V L1200

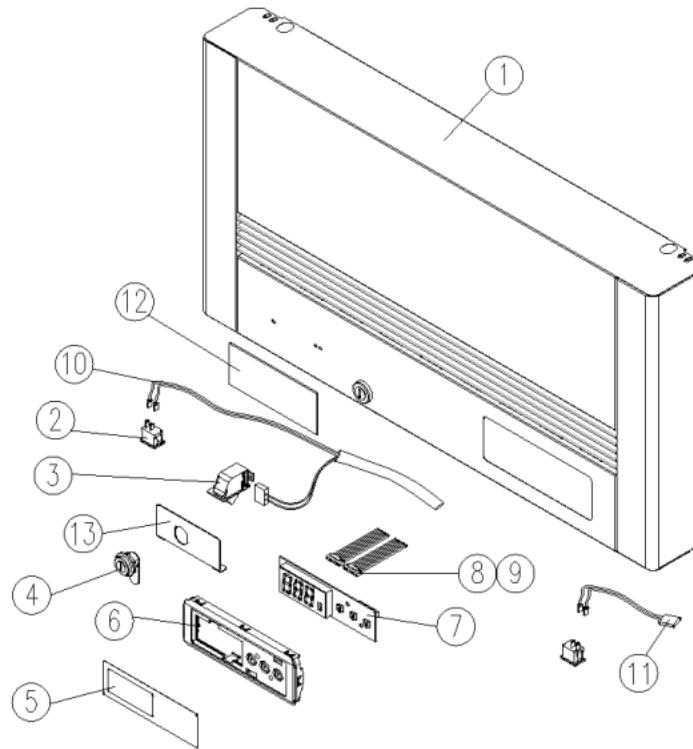
d. LRT-72TG



NO.	Model Code	Description	Qty	Material	Spec
1	R816A-041	Assy Cross Bar T72R	2	STS443CT	115V/30W
2	R325A-030	Cover Corner	12	ABS	28.5*28.5*53
3	R3373-630	Shelf Standard L	12	AL	T1.2*L930
4	R835A-010	Assy Shelf Clip	36	POM	White
5	R3314-602	U-Cover Bracket	4	GI	1T*81.61*20
6	R3323-230	Caster 4"	3	-	4" Move
7	R3323-240	Caster 4"	3	-	4" Stop
8	R836A-320	Assy Shelf Packing LF 49G	1	MSWR10	NSF, W609*D580
9	R836A-330	Assy Shelf Packing RH 49G	1	MSWR10	NSF, W609*D580
10	R836A-300	Assy Shelf Packing MID	1	MSWR10	NSF, W660*D580
11	R315A-471	Bracket Door Lock A	3	GI	T1.6*56*77.9
G	R8173-130	Check Valve AS	2	ABS	-
G1	R3253-050	Filter Check Valve	2	Filter Foam	#10, T10, Black
G2	R3253-041	Cap Check Valve	2	ABS	45.5*45.5*23.5
G3	R3253-061	Packing Flap	2	PE	T4, White
G4	R3253-030	Flap Check Valve	2	ABS	40.5*45*36
G5	R3253-020	Body Check Valve	2	ABS	60*60*75.05
L	R3373-630	Shelf Standard L	8	AL	T1.2*L930
L1	R376A-271	Supporter Lamp	2	STS443CT	11.0*129*1440
L2	R3314-391	Bracket Lamp UPP	1	ST304-2B	-
L3	R3314-400	Bracket Lamp LOW	1	ST304-2B	-
L4	R315A-510	Bracket Lamp Socket	4	-	37*35*13
L5	R838A-390	Assy Harness Socket	2	-	-
L6	R723A-090	LAMP SOCKET C Lamp Socket C	2	ABS	UL-94-VO
L7	R833A-081	Assy Lamp LED	2	-	DC12V L1200

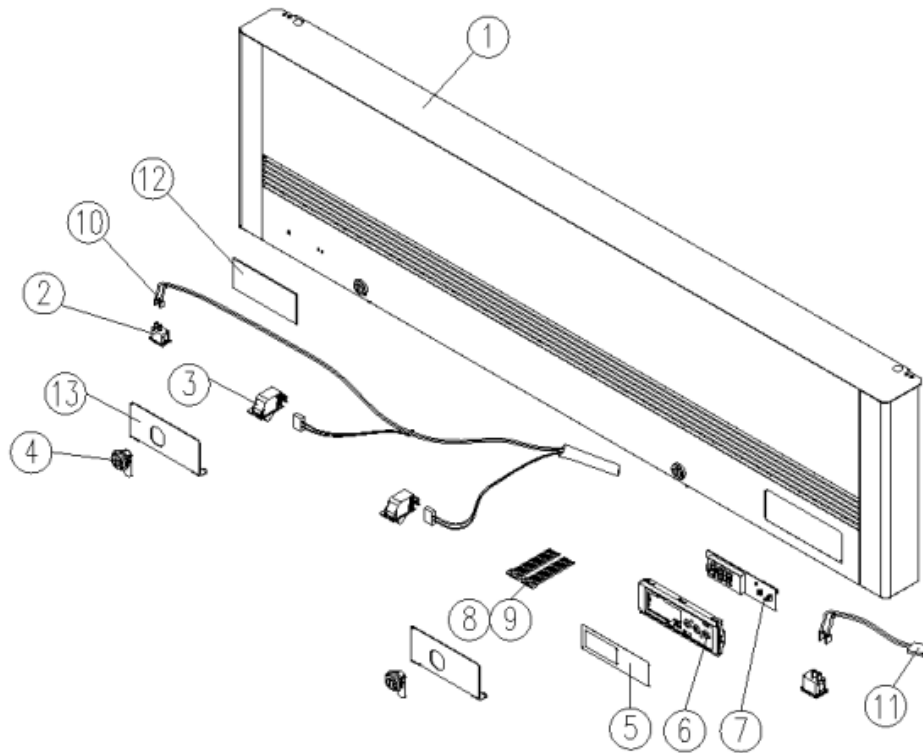
D.Top Grille Assembly

a. LRT-771G, LFT-771G



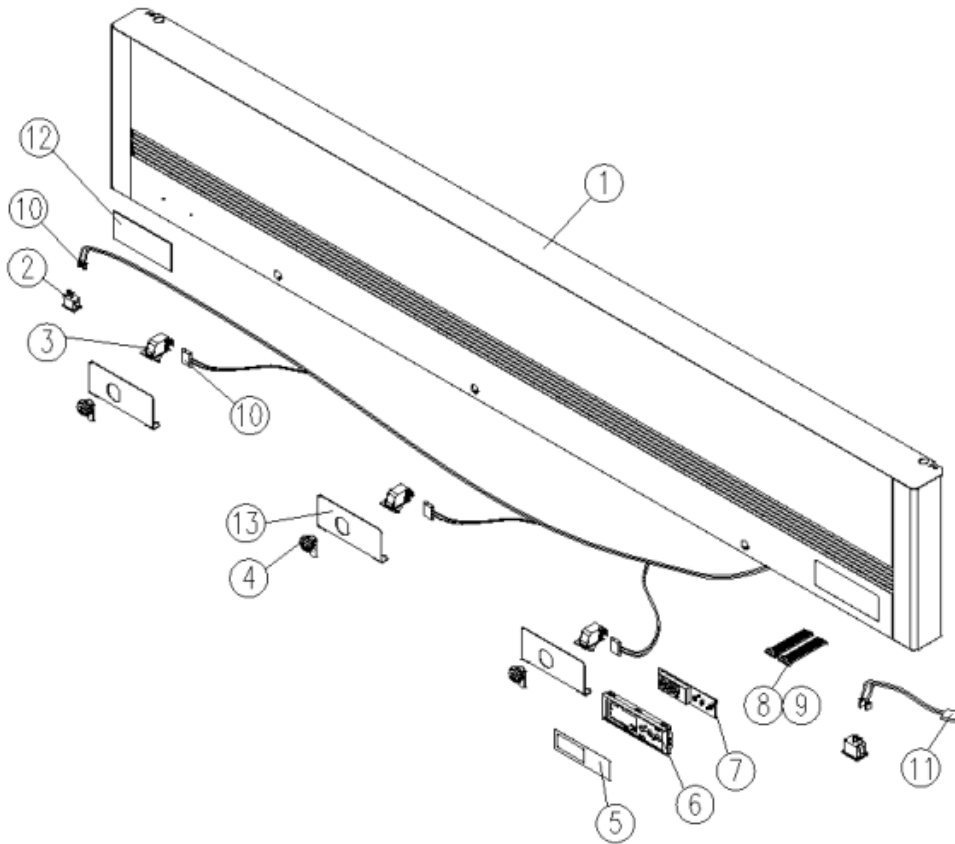
NO.	Model Code	Description	Qty	Material	Spec
1	R818B-090	Top Grill As	1	STS430 #4	LRT/LFT-771G TM SHOW CASE
2	R7204-070	Power Switch	2	-	LIGHT COUNTRY(R19A) 10A/115V, T23R
3	R7203-010	Switch Push	1	-	SP201-7D 125VAC1.5A
4	R3734-030	Door Locking Assy	1	-	ZDC. ZCR
5	R511A-540	Inlay Control	1	-	2 BUTTON 141.8*43.5
6	R321A-920	Case Control Panel	1	ABS	ABS GRAY 380G / 166.5*60.5
7	R725C-220	PCB Panel	1	-	144*39 WHITE
8	R7613-860	Harness F-PCB 8P B	1	-	AGW24, 8P, 연결 L450
9	R7613-880	Harness F-PCB 10P B	1	-	AGW24, 10P, 연결 L450
10	R7523-261	Harness Switch T23	2	-	UL AWG18
11	R719B-720	Harness LED Power S/W	1	-	UL TM SCIENTIFIC
12	R5133-160	Mascot	1	AL	AL. LASSELE, 157.7*40 (Gray)
13	R315A-492	Bracket Door Lock B	1	GI	GI T1.0 90*50.4

b. LRT-1471G, LFT-1471G



NO.	Model Code	Description	Qty	Material	Spec
1	R818B-100	Top Grill AS	1	STS430 #4	LRT/LFT-1471G TM SHOW CASE
2	R7204-070	Power Switch	2	-	LIGHT COUNTRY(R19A) 10A/115V, GLASS
3	R7203-010	Switch Push	2	-	SP201-7D 125VAC1.5A
4	R3734-030	Door Locking Assy	2	-	ZDC. ZCR
5	R511A-540	Inlay Control	1	-	2 BUTTON 141.8*43.5
6	R321A-920	Control Board	1	ABS	ABS GRAY 380G / 166.5*60.5
7	R725C-220	PCB Panel	1	-	144*39 WHITE
8	R7613-860	Harness F-PCB 8P B	1	-	AGW24, 8P, L450
9	R7613-880	Harness F-PCB 10P B	1	-	AGW24, 10P, L450
10	R7523-270	Harness Switch T49	1	-	UL AWG18
11	R719B-720	Harness LED Power S/W	1	-	UL TM SCIENTIFIC
12	R5133-160	Mascot	1	AL	AL. LASSELE, 157.7*40 (Gray)
13	R315A-492	Bracket Door Lock B	2	GI	GI T1.0 90*50.4

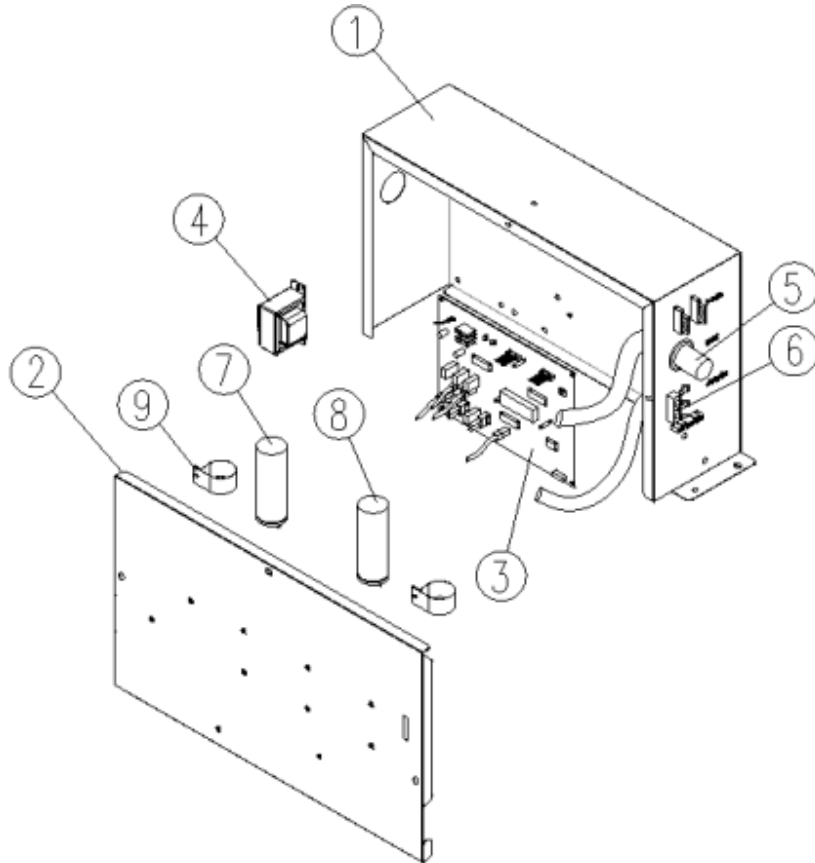
c. LRT-72TG



NO.	Model Code	Description	Qty	Material	Spec
1	R818B-110	Top Grill AS	1	STS430 #4	LRT-72TG TM SHOW CASE
2	R7204-070	Power Switch	2		LIGHT COUNTRY(R19A) 10A/115V,T72
3	R7203-010	Switch Push	3	-	SP201-7D 125VAC1.5A
4	R3734-030	Door Locking Assy	3	-	ZDC. ZCR
5	R511A-540	Inlay Control	1	-	2 BUTTON 141.8*43.5
6	R321A-920	Control Board	1	ABS	ABS GRAY 380G / 166.5*60.5
7	R725C-220	PCB Panel	1	-	144*39 WHITE
8	R7613-860	Harness F-PCB 8P B	1	-	AGW24, 8P, L450
9	R7613-880	Harness F-PCB 10P B	1	-	AGW24, 10P, L450
10	R719A-071	Harness Switch T72	1	-	ASSY .UL
11	R719B-720	Harness LED Power S/W	1	-	ASSY. UL
12	R5133-160	Mascot	1	AL	AL. LASSELE, 157.7*40 (Gray)
13	R315A-492	Bracket Door Lock B	3	GI	GI T1.0 90*50.4

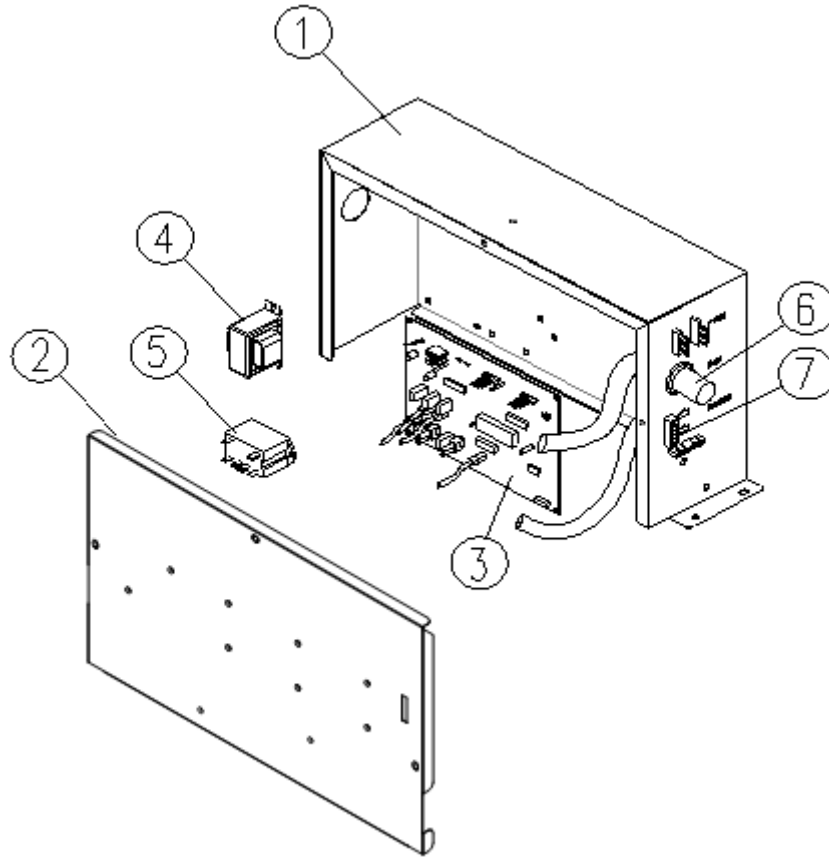
E. Main PCB Box

a. LRT-771G



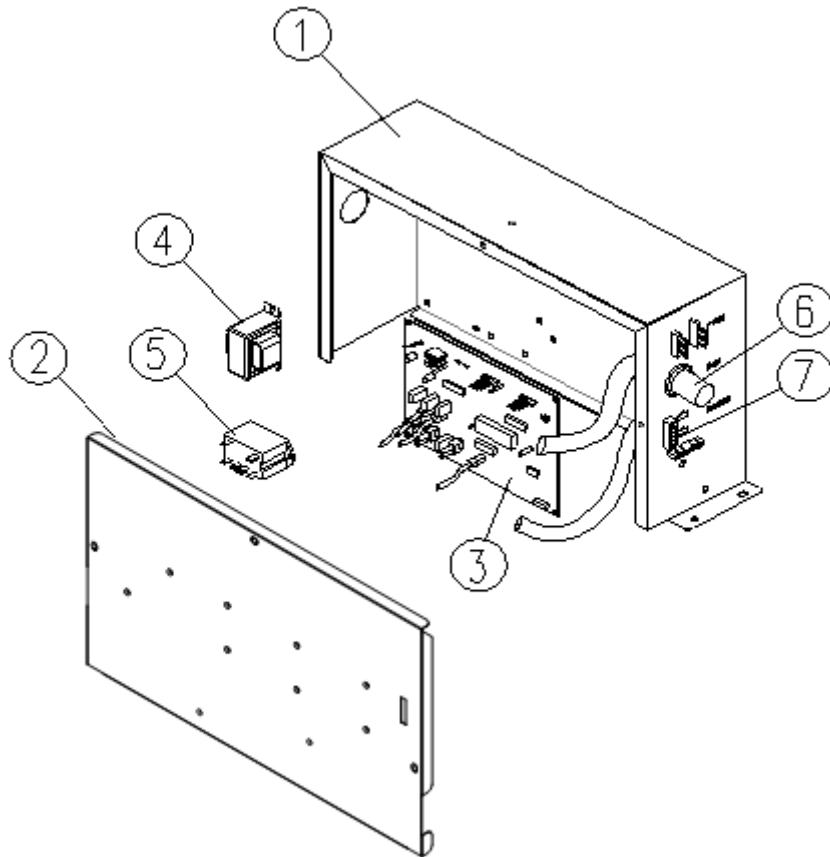
MODEL	NO.	Model Code	Description	Qty	Material	Spec
LRT-771G	1	R7119-877	Box Main PCB	1	GI	T0.5*559*331.1
	2	R7119-883	Cover Main PCB Box	1	GI	T0.5*357.07*218.97
	3	R725C-170	PCB Main Show Case 23R	1	FR1	SCR 220V °C REF SCR220C-06
	4	R7504-060	Power Trans	1	-	120V/60Hz, DT-1213
	5	R719B-510	Harness Main AC-A T23R	1	-	115V NEW LED LAMP
		R7613-780	Harness Main AC-B T23R	1	-	ASSY. UL
	6	R7613-903	Harness Main DC TM-F	1	-	Ass'y UL
	7	R7549-270	Starting Capacitor	1	-	160V/145 μF 115V
	8	R7549-260	Running Capacitor	1	-	350V/15 μF 115V
9	R3834-130	Cable Clamp	2	Nylon-66	DA-18N	

b. LFT-771G,



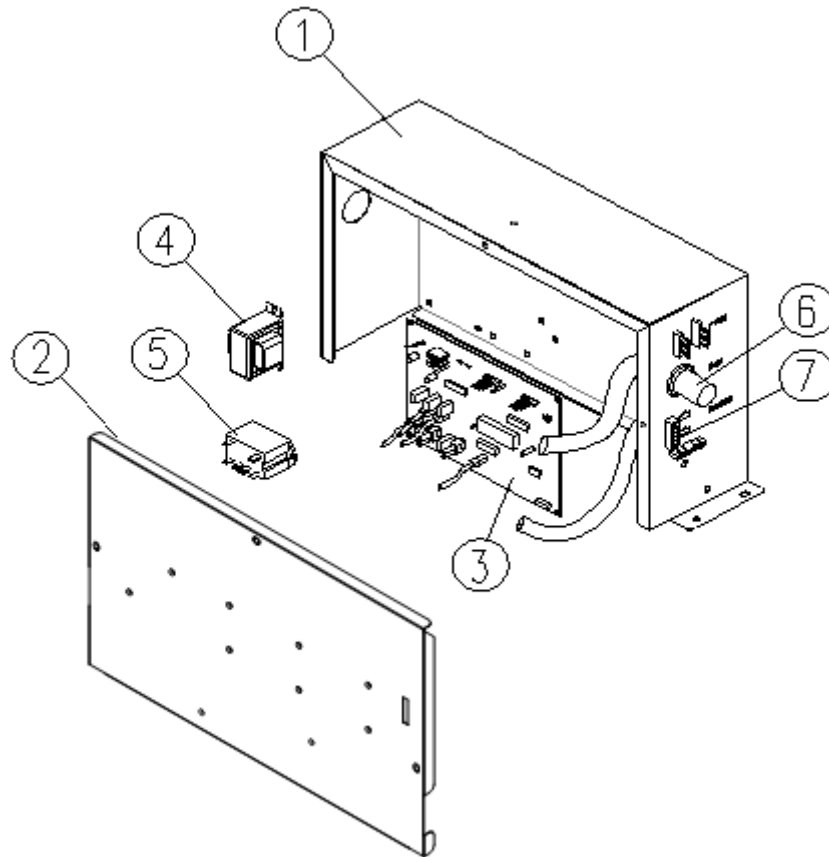
MODEL	NO.	Model Code	Description	Qty	Material	Spec
LFT-771G	1	R7119-877	Box Main PCB	1	GI	T0.5*559*331.1
	2	R7119-883	Cover Main PCB Box	1	GI	T0.5*357.07*218.97
	3	R725C-190	PCB Main Show Case 23/49F	1	FR1	SCF 220V °C FRE SCF220C-A3
	4	R7504-060	Power Trans	1	-	120V/60Hz, DT-1213
	5	R748A-020	Power Relay	1	-	PANASONIC HE1AN-Q-DC12V 30A
	6	R719B-540	Harness Main AC-A T23F	1	-	115V NEW LED LAMP
		R719B-600	Harness Main AC-B T23F	1	-	115V NEW LED LAMP
	7	R7613-903	Harness Main DC TM-F	1	-	Ass'y UL

c. LRT-1471G



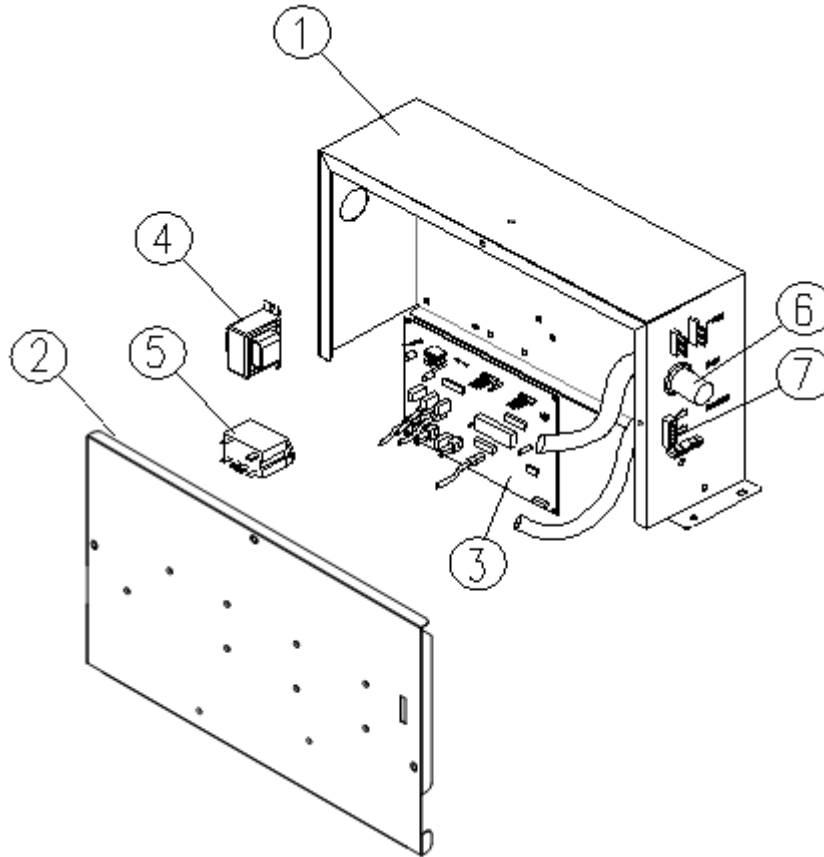
MODEL	NO.	Model Code	Description	Qty	Material	Spec
LRT-1471G	1	R7119-877	Box Main PCB	1	GI	T0.5*559*331.1
	2	R7119-883	Cover Main PCB Box	1	GI	T0.5*357.07*218.97
	3	R725C-180	PCB Main Show Case 49/72R	1	FR1	SCR 220V °C REF SCR220C-A3
	4	R7504-060	Power Trans	1	-	120V/60Hz, DT-1213
	5	R748A-020	Power Relay	1	-	PANASONIC HE1AN-Q-DC12V 30A
	6	R719B-520	Harness Main AC-A	1	-	Ass'y UL, LED LAMP LRT-1471G
		R7613-580	Harness Main AC-B	1	-	Ass'y UL, LED LAMP LRT-1471G
7	R7613-903	Harness Main DC TM-F	1	-	Ass'y UL	

d. LFT-1471G,



MODE L	NO.	Model Code	Description	Qty	Material	Spec
LFT-1471G	1	R7119-877	Box Main PCB	1	GI	T0.5*559*331.1
	2	R7119-883	Cover Main PCB Box	1	GI	T0.5*357.07*218.97
	3	R725C-190	PCB Main Show Case 23/49F	1	FR1	SCF 220V °C FRE SCF220C-A3
	4	R738A-030	Power Trans	1	-	120V/60Hz, DT-1215
	5	R748A-030	Power Relay	1	-	PANASONIC HE2AN-Q-DC12V 25A
	6	R719B-550	Harness Main AC-A T49F	1	-	115V NEW LED LAMP LFT-1471G
		R719B-610	Harness Main AC-B T49F	1	-	115V NEW LED LAMP LFT-1471G
7	R7613-903	Harness Main DC TM-F	1	-	Ass'y UL	

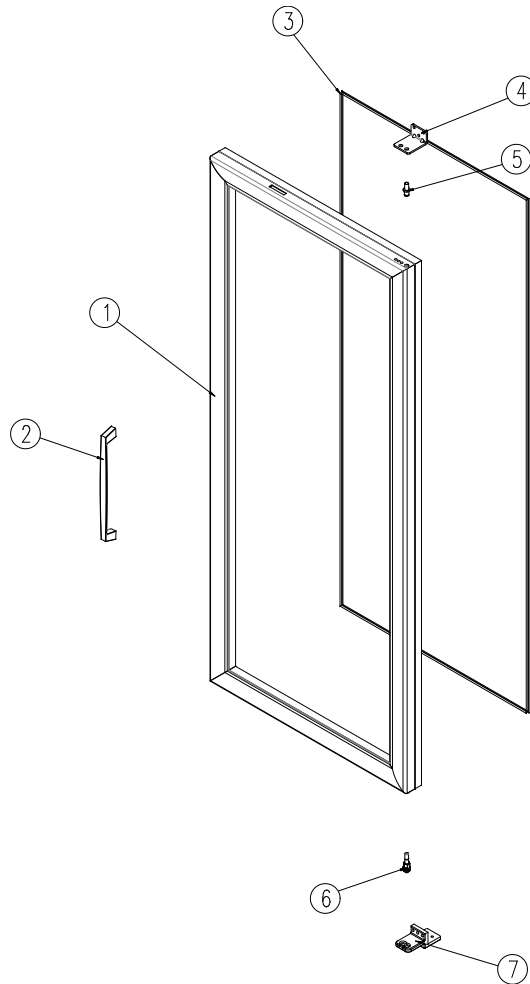
e. LRT-72TG



MODEL	NO.	Model Code	Description	Qty	Material	Spec
LRT-72TG	1	R7119-877	Box Main PCB	1	GI	T0.5*559*331.1
	2	R7119-883	Cover Main PCB Box	1	GI	T0.5*357.07*218.97
	3	R725C-180	PCB Main Show Case 49/72R	1	FR1	SCR 220V °C REF SCR220C-A3
	4	R738A-030	Power Trans	1	-	120V/60Hz, DT-1215
	5	R748A-020	Power Relay	1	-	PANASONIC HE1AN-Q-DC12V 30A
	6	R719B-530	Harness Main AC-A 72R	1	-	115V NEW LED LAMP LRT-72TG
		R719B-590	Harness Main AC-B R72G	1	-	115V NEW LED LAMP LRT-72TG
7	R7613-903	Harness Main DC TM-F	1	-	Ass'y UL	

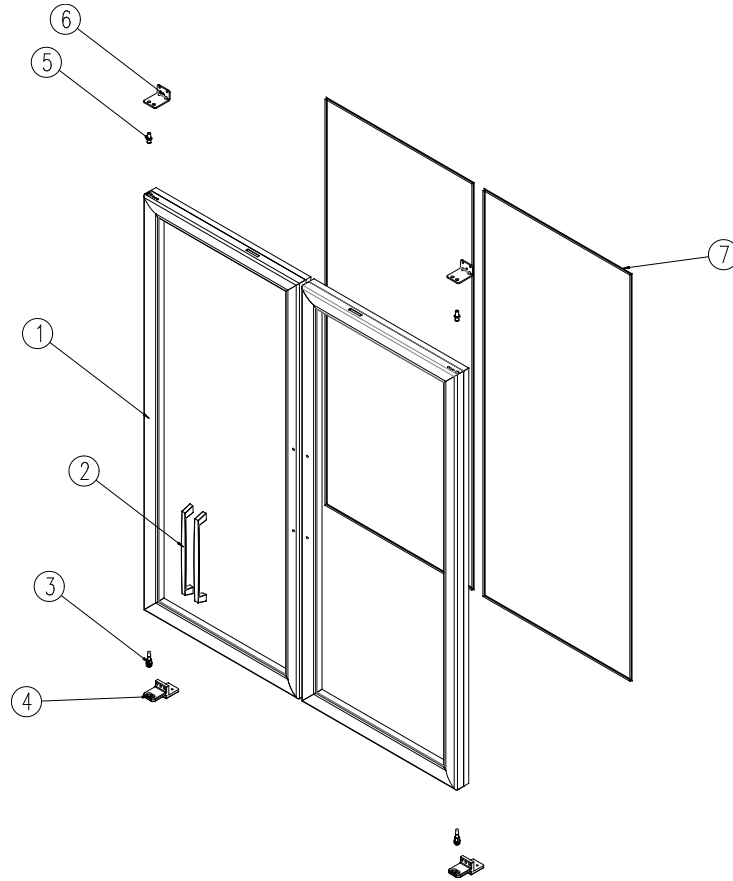
F. Door Assembly

a. LRT-771G,LFT-771G



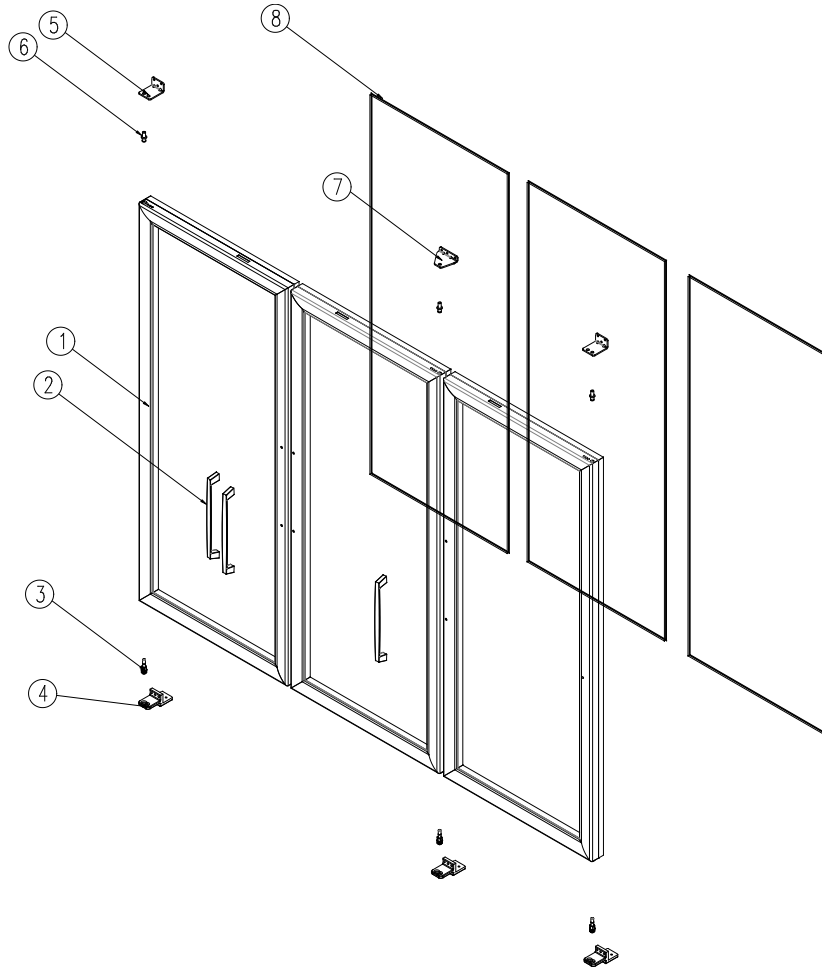
NO.	Model Code	Description	Qty	Material	Spec
1	R817B-260	Assy Glass Door RH REF	1	-	669*1554 115V/20W
	R817B-280	Assy Glass Door RH FRE	1	-	669*1554 115V/55W
2	R342A-100	Handle Door	1	CHROMIUM	-
3	R338A-070	Gasket Door TM-G	1	RD-PVC	LS100-LG 1520*635
4	R343A-140	Hinge UPP	1	STS304	T4*92.7*52
5	R370A-080	Shaft UPP (Glass Door)	1	STS430 #4	OD17*ID6.9*H41
6	R370A-070	Shaft Tention Bar	1	-	18*54.1
7	R343A-121	Hinge Bottom L/R	1	ZNDC2	112*48*41.5

e. LRT-1471G,LFT-1471G



NO.	Model Code	Description	Qty	Material	Spec
1	R817B-260	Assy Glass Door RH REF	1	-	669*1554 115V/20W
	R817B-250	Assy Glass Door LF REF	1	-	
	R817B-280	Assy Glass Door RH FRE	1	-	669*1554 115V/55W
	R817B-270	Assy Glass Door LF FRE	1	-	
2	R342A-100	Handle Door	2	CHROMIUM	-
3	R370A-070	Shaft Tention Bar	2	-	18*54.1
4	R343A-121	Hinge Bottom L/R	1	ZNDC2	112*48*41.5
5	R370A-080	Shaft UPP (Glass Door)	2	STS430 #4	OD17*ID6.9*H41
6	R343A-140	Hinge UPP	2	STS304	T4*92.7*52
7	R338A-070	Gasket Door TM-G	2	RD-PVC	LS100-LG 1520*635

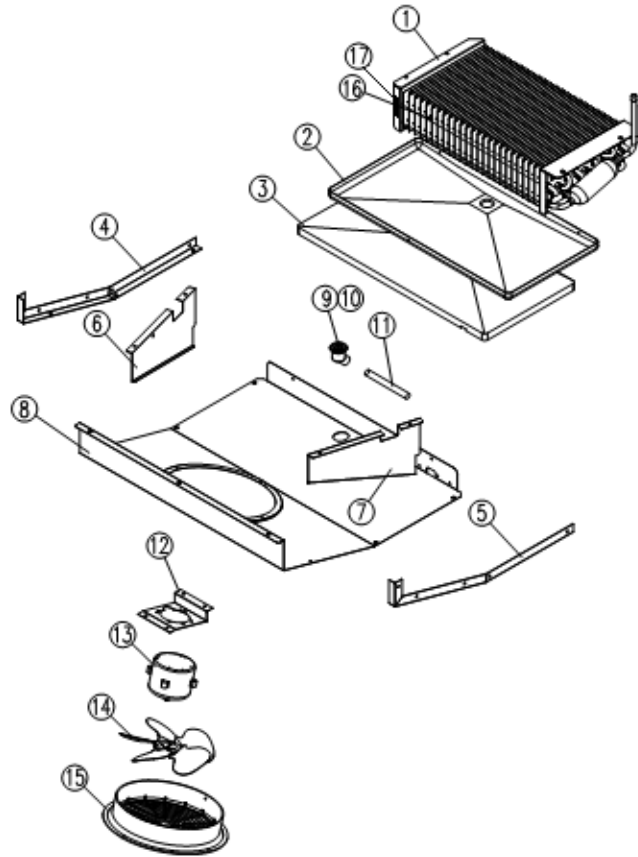
f. LRT-72TG



NO.	Model Code	Description	Qty	Material	Spec
1	R817B-260	Assy Glass Door RH REF	2	-	669*1554 115V/20W
	R817B-250	Assy Glass Door LF REF	1	-	
2	R342A-100	Handle Door	3	CHROMIUM	-
3	R370A-070	Shaft Tention Bar	3	-	18*54.1
4	R343A-121	Hinge Bottom L/R	1	ZNDC2	112*48*41.5
5	R343A-140	Hinge UPP	2	STS304	T4*92.7*52
6	R370A-080	Shaft UPP (Glass Door)	3	STS430#4	OD17*ID6.9*H41
7	R343A-110	Hinge UPP MID	1	STS304	T4, 80*77.7

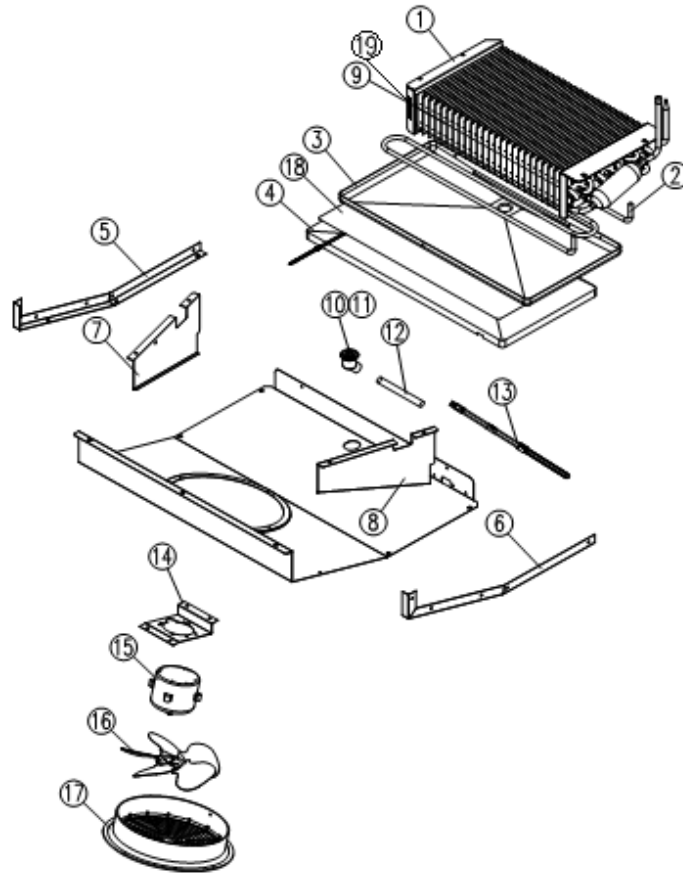
G.Evaporator Assembly

a. LRT-771G



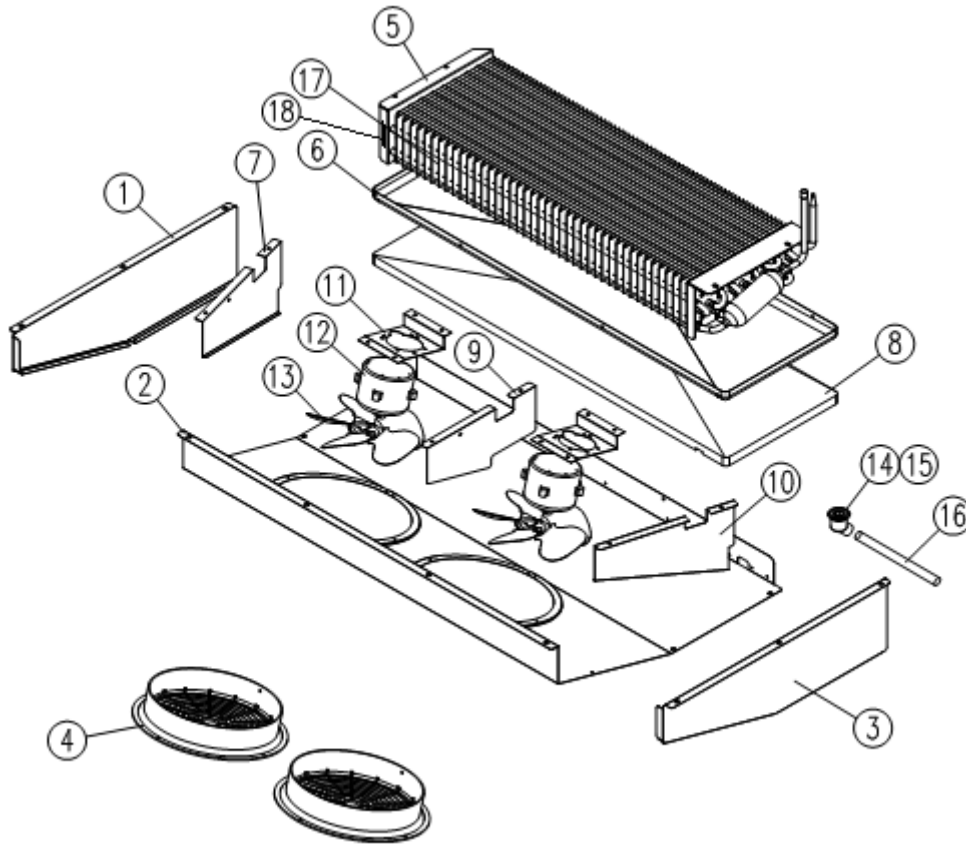
NO.	Model Code	Description	Qty	Material	Spec
1	R2263-051	Evaporator Assy	1	CU+AL	-
2	R3743-051	Evap Drain Pan Small	1	AL+COATING	-
3	R1143-202	Evap Drain Insul-S	1	Foam-PS	T17*256*530
4	R3813-813	Evap Cover B/K-LF	1	STS430 2B	T1.0*565*34.8
5	R3813-803	Evap Cover B/K-RH	1	STS430 2B	T1.0*565*34.8
6	R3853-051	Evap Air Guide Left	1	AL	T0.5*255.3*155.6
7	R3853-041	Evap Air Guide Right	1	AL	T0.5*255.3*155.6
8	R325A-381	Eva Cover T23RG	1	STS443CT 2B	T0.5*655*571
9	R3744-091	Evap Drain Elbow-Upp	1	PP	White
10	R3744-101	Evap Drain Elbow-Low	1	PP	White
11	R2124-021	Evaporator Drain Hose-A	1	Silicon	Φ16*12, L=213
12	R3203-482	Motor Fix Bracket	1	STS430 2B	T1.0*90*146
13	R7423-301	Evaporator Fan Motor	1	CCW	115V 60Hz DAI-8204DYCA-1
14	R3729-010	Evap Fan Blade	1	AL	8" CCW
15	R3812-141	Evaporator Fan Motor Guard	1	HIPS	VH-1800EX, White
16	R7213-422	Sensor Def(Evap)	1	-	AT25°C.10.75 kΩ±1%.-25~25
17	R7213-412	Sensor Room	1	-	AT25°C.10.75 kΩ±1%.-25~25

b. LFT-771G



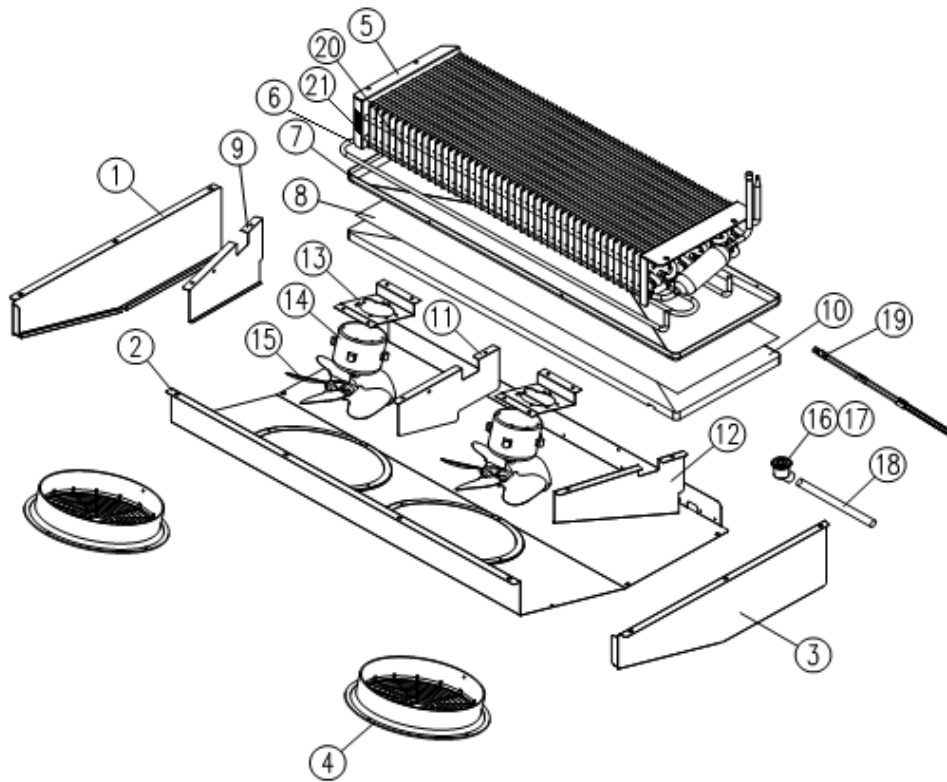
NO.	Model Code	Description	Qty	Material	Spec
1	R840A-080	Evaporator Assy	1	CU	9.52*465*236*105
2	R7313-331	Heater Defrost	1	AL+COATING	115V/445W, White
3	R3743-051	Evap Drain Pan Small	1	AL	
4	R1143-202	Evap Drain Insul-S	1	Foam-PS	T17*256*530
5	R3813-812	Evap Cover Bracket LF	1	STS430 2B	T1.0*565*34.8
6	R3813-803	Evap Cover Bracket RH	1	STS304 2B	T1.0*565*34.8
7	R3853-051	Evap Air Guide Left	1	AL	T0.5*255.3*155.6
8	R3853-041	Evap Air Guide Right	1	AL	T0.5*255.3*155.6
9	R7213-422	Sensor Def(Evap)	1	-	AT25°C, 10.75KΩ±1%. -25~25
10	R3744-091	Evap Drain Elbow-Upp	1	PP	White
11	R3744-101	Evap Drain Elbow-Low	1	PP	White
12	R2124-021	Evaporator Drain Hose-A	1	Silicon	Φ16x12, L=213
13	R853A-011	Ass'y Heater Drain Hose	1	-	115V/10W
14	R3203-482	Motor Fix Bracket	1	STS430 2B	T 1.0*90*146
15	R7423-301	Evaporator Fan Motor	1	CCW	115V 60Hz DAI-8204DYCA-1
16	R3729-010	Evap Fan Blade	1	AL	8" CCW
17	R3812-141	Evaporator Fan Motor Guard	1	HIPS	VH-1800EX, White
18	R720A-590	Heater Drain Pan	1	-	115V/90W
19	R7213-412	Sensor Room	1	-	AT25°C, 10.75KΩ±1%. -25~25

c. LRT-1471G



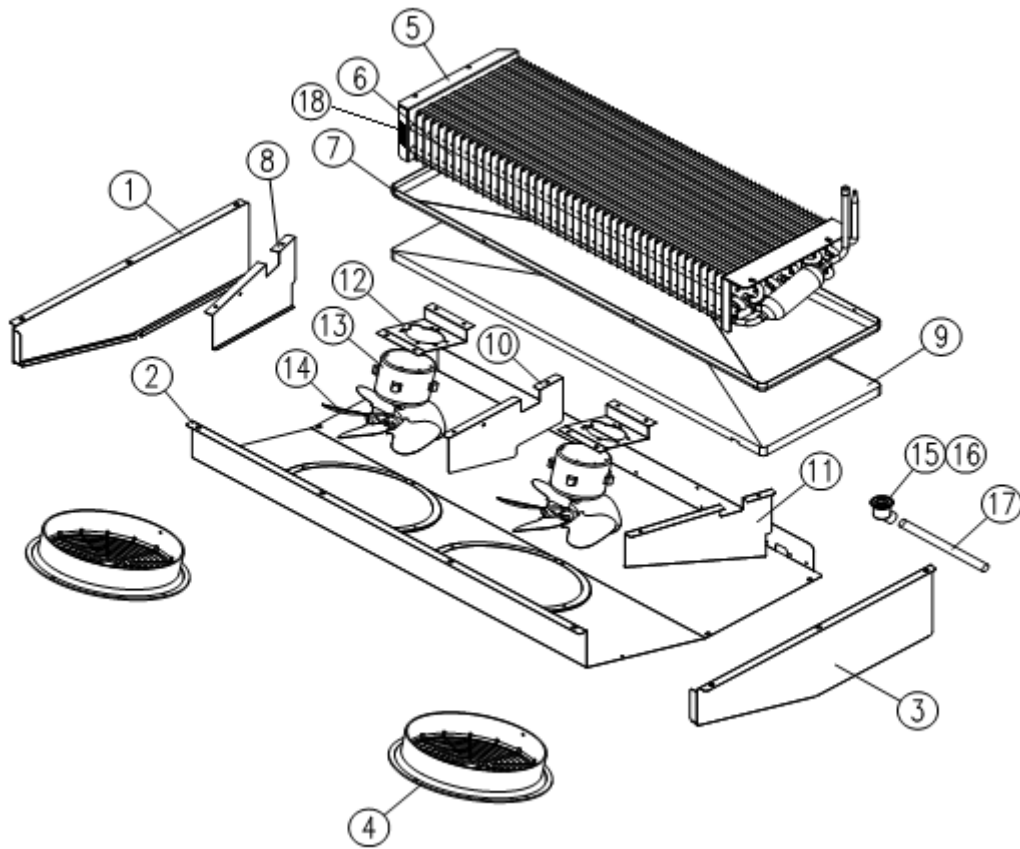
NO.	Model Code	Description	Qty	Material	Spec
1	R3853-800	Evap Cover Support LF	1	STS443CT	T0.5*519.4*176.7
2	R325A-391	Cover Eva T49RG	1	STS443CT2B	T0.5*845*655
3	R3853-790	Evap Cover Support RH	1	STS443CT	T0.5*519.4*176.7
4	R3812-141	Evaporator Fan Motor Guard	2	HIPS	VH-1800EX, White
5	R2263-062	Evaporator Assy	1	CU+AL	-
6	R3743-041	Evaporator Drain Pan-MID	1	AL+COATING	-
7	R3853-051	Evap Air Guide Left	1	AL	T0.5*255.3*155.6
8	R1143-212	Evaporator Drain Insul-L	1	Foam PS	T17*256*800
9	R3853-061	Evap Air Guide Mid	1	AL	T0.5*245*127
10	R3853-041	Evap Air Guide Right	1	AL	T0.5*255.3*155.6
11	R3203-482	Motor Fix Bracket	2	STS430 2B	T1.0*90*146
12	R7423-301	Evaporator Fan Motor	2	CCW	115V 60Hz DAI-8204DYCA-1
13	R3729-010	Evap Fan Blade	2	AL	8" CCW
14	R3744-091	Evap Drain Elbow-Upp	1	PP	White
15	R3744-101	Evap Drain Elbow-Low	1	PP	White
16	R2124-021	Evaporator Drain Hose-A	1	Silicon	Φ16x12, L213
17	R7213-422	Sensor Def(Evap)	1	-	AT25°C, 10.75KΩ±1%. -25~25
18	R7213-412	Sensor Room	1	-	AT25°C, 10.75KΩ±1%. -25~25

d. LFT-1471G



NO.	Model Code	Description	Qty	Material	Spec
1	R3853-800	Evap Cover Support LF	1	STS443CT	T0.5*519.4*176.7
2	R325A-521	Cover Eva 49FG	1	STS443CT2B	T0.5*1082*655
3	R3853-790	Evap Cover Support RH	1	STS443CT	T0.5*519.4*176.7
4	R3812-141	Evaporator Fan Motor Guard	1	HIPS	VH-1800EX, White
5	R840A-090	Evaporator Assy	1	CU	9.52*985*236*105
6	R7313-440	Heater Defrost	1	-	115V 900W 14.7Ω
7	R3743-031	Evap Drain Pan Large	1	AL+COATING	-
8	R720A-550	Heater Drain Pan	1	-	115V 180W 73.5Ω
9	R3853-051	Evap Air Guide Left	1	AL	T0.5*255.3*155.6
10	R1143-380	Evap Drain Insul-L (72)	1	Foam-PS	T17*256*1040
11	R3853-061	Evap Air Guide Mid	1	AL	T0.5*245*127
12	R3853-041	Evap Air Guide Right	1	AL	T0.5*255.3*155.6
13	R3203-482	Motor Fix Bracket	2	STS430 2B	T1.0*90*146
14	R7423-301	Evaporator Fan Motor	2	CCW	115V 60Hz DAI-8204DYCA-1
15	R3729-010	Evap Fan Blade	2	AL	8" CCW
16	R3744-091	Evap Drain Elbow-Upp	1	PP	White
17	R3744-101	Evap Drain Elbow-Low	1	PP	White
18	R2124-021	Evaporator Drain Hose-A	1	Silicon	Φ16*12, L213
19	R853A-031	Ass'y Heater Drain Hose	1	-	UL. 115V/10W
20	R7213-422	Sensor Def(Evap)	1	-	AT25°C, 10.75KΩ±1%. -25~25
21	R7213-412	Sensor Room	1	-	AT25°C, 10.75KΩ±1%. -25~25

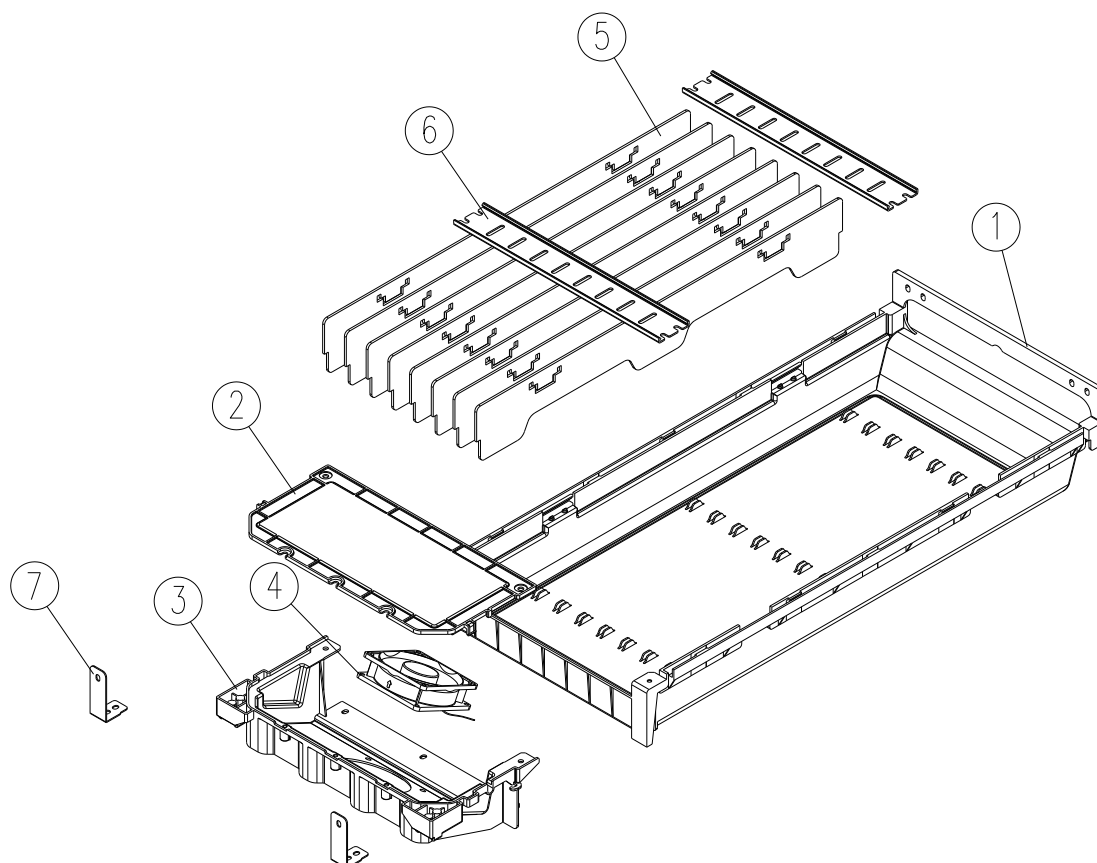
e. LRT-72TG



NO.	Model Code	Description	Qty	Material	Spec
1	R3853-800	Evap Cover Support LF	1	STS443CT	T0.5*519.4*176.7
2	R325A-521	Cover Eva 49FG	1	STS443CT 2B	T0.5*1082*655
3	R3853-790	Evap Cover Support RH	1	STS443CT	T0.5*519.4*176.7
4	R3812-141	Evaporator Fan Motor Guard	1	HIPS	VH-1800EX, White
5	R2263-100	Evaporator Assy	1	CU+AL	-
6	R3743-031	Sensor Def(Evap)	1	-	AT25°C, 10.75KΩ±1%. -25~25
7	R3743-031	Evap Drain Pan Large	1	AL+COATING	-
8	R3853-051	Evap Air Guide Left	1	AL	T0.5*255.3*155.6
9	R1143-380	Evap Drain Insul-L(72)	1	Foam-PS	T17*256*1040
10	R3853-061	Evap Air Guide Mid	1	AL	T0.5*245*127
11	R3853-041	Evap Air Guide Right	1	AL	T0.5*255.3*155.6
12	R3203-482	Motor Fix Bracket	2	STS430 2B	T1.0*90*146
13	R7423-301	Evaporator Fan Motor	2	CCW	115V 60Hz DAI-8204DYCA-1
14	R3729-010	Evap Fan Blade	2	AL	8" CCW
15	R3744-091	Evap Drain Elbow-Upp	1	PP	White
16	R3744-101	Evap Drain Elbow-Low	1	PP	White
17	R2124-021	Evaporator Drain Hose-A	1	Silicon	Φ16*12, L213
18	R7213-412	Sensor Room	1	-	AT25°C, 10.75KΩ±1%. -25~25

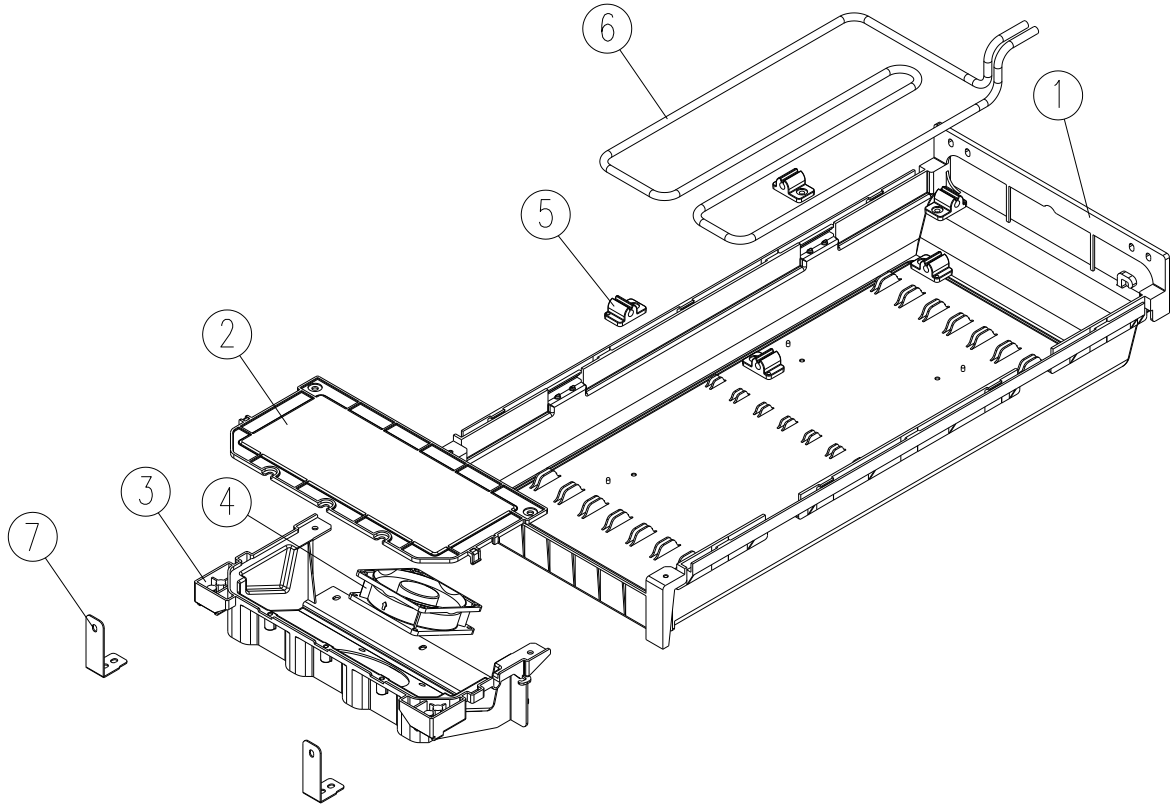
H. Vapori Assembly

a. LRT-771G, LFT-771G, LFT-1471G



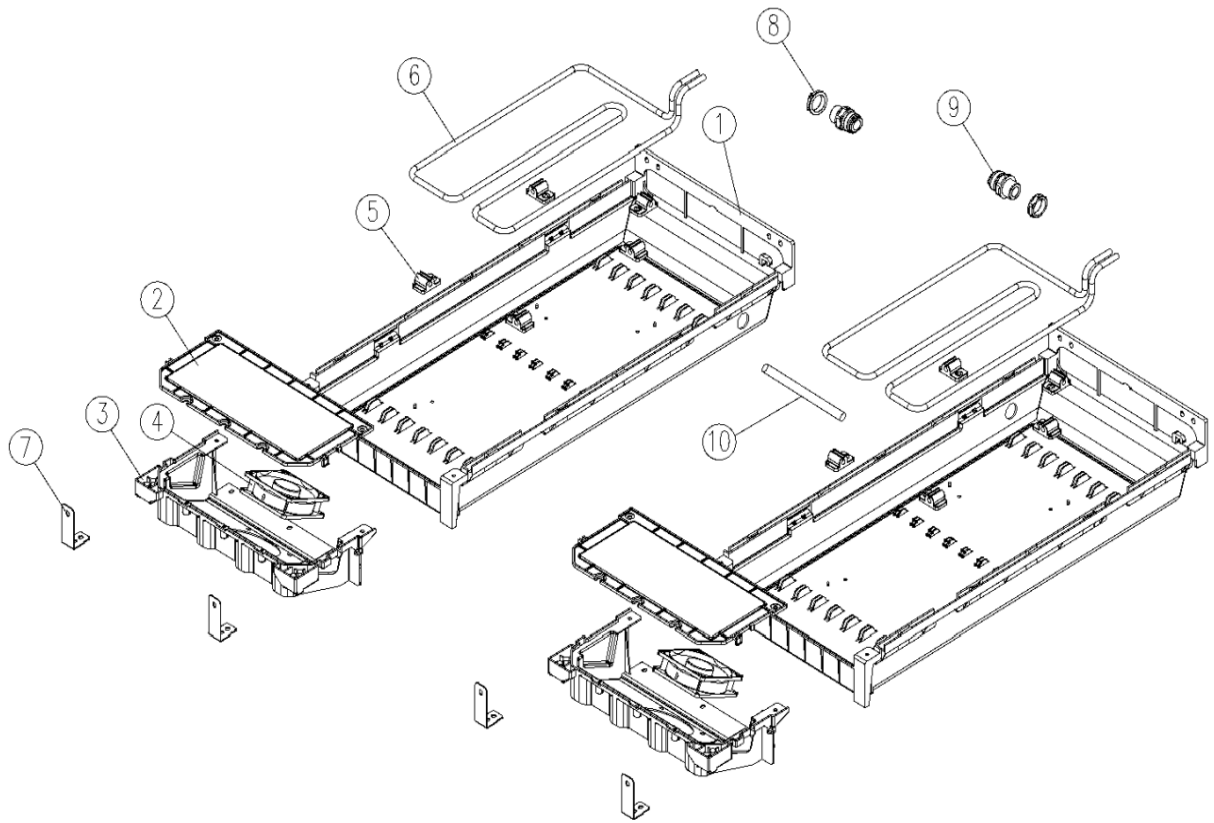
NO.	Model Code	Description	Qty	Material	Spec
0	R8522-010	Vapori AS TM	1	-	ABS+DC FAN
1	R3422-012	Case Vapori	1	ABS	602.5*275*106.5
2	R3422-050	Cover DC Motor T49	1	ABS	280.5*131*11.5
3	R3422-030	Case DC Motor T49	1	ABS	283*143.5*69.5
4	R831A-030	Assy Motor DC Vapori	1	-	DC12V, DA08025B12MF
5	R1154-090	Wicking Drain Water	8	-	2.5T*480*63.5
6	R3853-780	Guide Wicking	2	PP	T1.5*269*40
7	R3313-730	Bracket Case Vapori Front	2	STS304	T1.2*85.5*20.5

b. LRT-1471G



NO.	Model Code	Description	Qty	Material	Spec
0	R8522-040	Vapori AS TM	1	-	ABS+DC FAN+HEATER
1	R3422-012	Case Vapori	1	ABS	602.5*275*106.5
2	R3422-050	Cover DC Motor T49	1	ABS	280.5*131*11.5
3	R3422-030	Case DC Motor T49	1	ABS	283*143.5*69.5
4	R831A-030	Assy Motor DC Vapori	1	-	DC12V, DA08025B12MF
5	R3743-400	Holder Vapori Heater	5	Silicon	33*20*13.5
6	R7703-290	Heater Vaporizer	1	-	115V/50W Sheath Heater
7	R3313-730	Bracket Case Vapori Front	2	STS304	T1.2*85.5x20.5

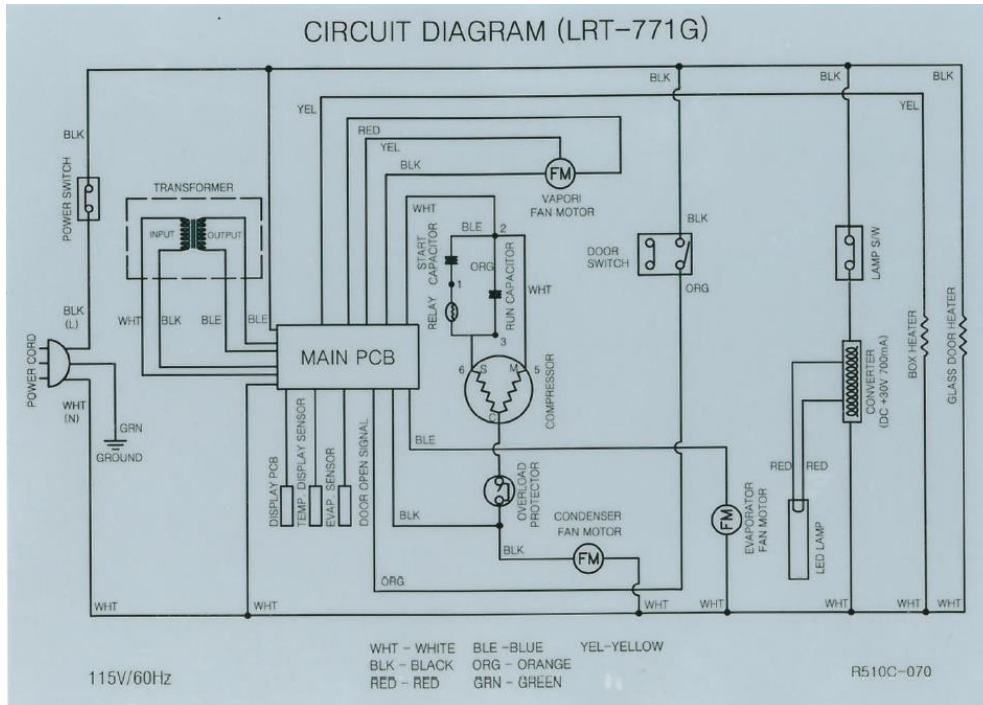
c. LRT-72TG



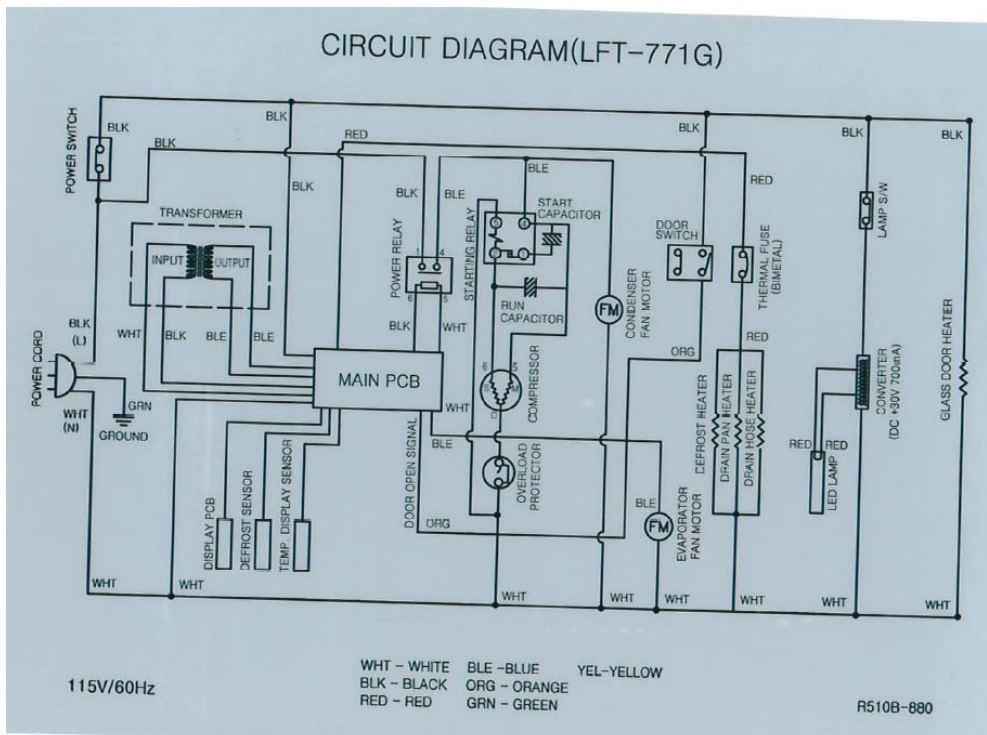
NO.	Model Code	Description	Qty	Material	Spec
0	R858A-420	Vapori T72R AS	2	-	ABS+DC FAN+HEATER
1	R321A-530	Case Vapori T72	2	ABS	602.5*275*106.5
2	R3422-050	Cover DC Motor T49	2	ABS	280.5*131*11.5
3	R3422-030	Case DC Motor T49	2	ABS	283*143.5*69.5
4	R831A-030	Assy Motor DC Vapori	2	-	DC12V, DA08025B12MF
5	R3743-400	Holder Vapori Heater	10	Silicon	33*20*13.5
6	R7703-290	Heater Vaporizer	2	-	115V/50W Sheath Heater
7	R3313-730	Bracket Case Vapori Front	4	STS304	T1.2*85.5*20.5
8	R223A-020	Fitting Divider Vapori Nut	2	PP	Nut 20M
9	R223A-010	Fitting Divider Vapori	2	BSPP	AMCB, 1207M
10	R225A-010	Fitting Tube	1	PE	Φ12, L100

3. WIRING DIAGRAM

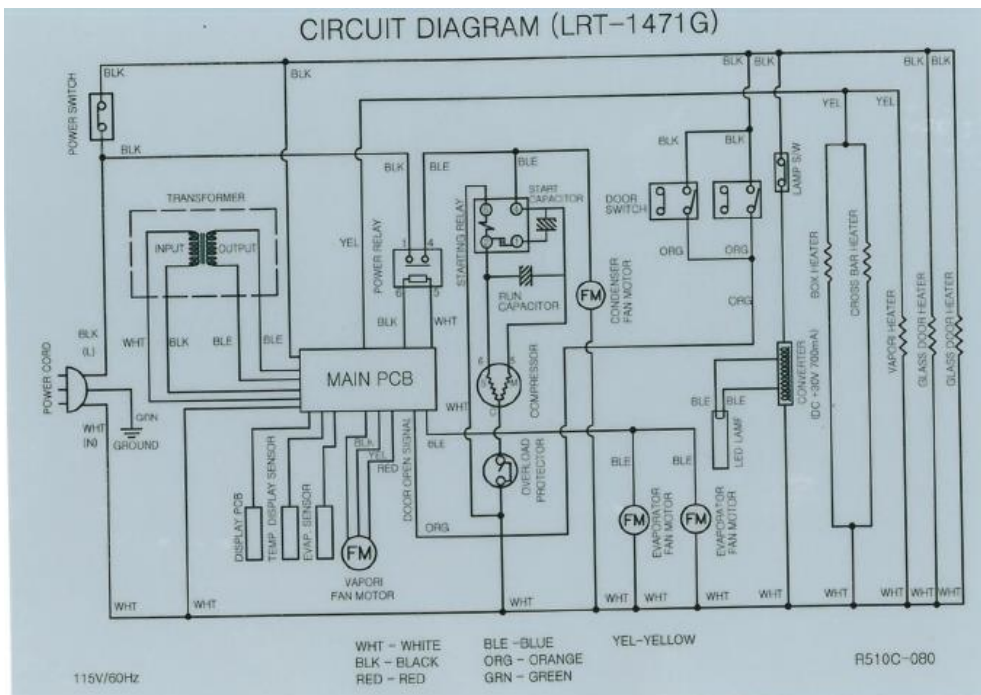
◇ LRT-771G



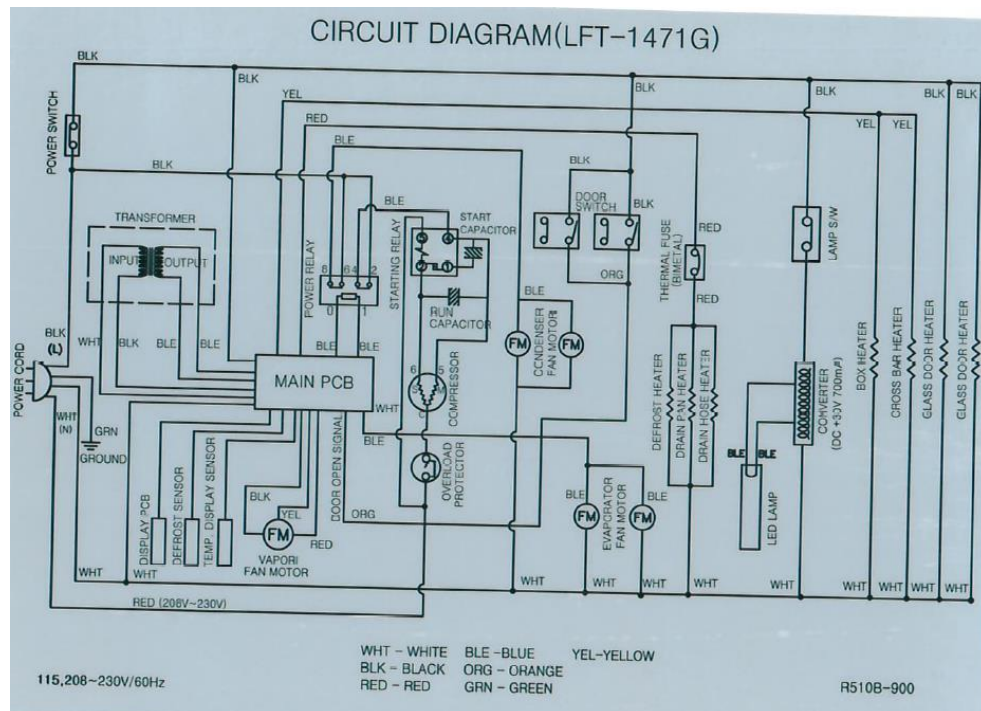
◇ LFT-771G



◇ LRT-1471G



◇ LFT-1471G

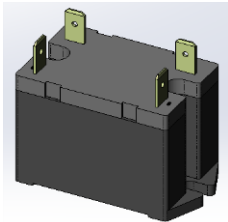
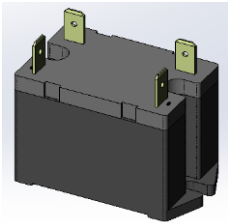


4. MAIN COMPONENTS


4-1.COMPRESSOR

MODEL	LRT-771G	LRT-72TG LFT-771G	LRT-1471G	LFT-1471G
Refrigerant	R-134A	R-404A	R-134A	R-404A
Voltage	115V	115V	115V	115V
Comp. Model	SK1A1C-L2W	SC18CLX2	SC18G	GS26CLX
Part code	(DY) R7439-110	R7439-600	R714A-010	R714A-020
Image				


4-2.POWER-RELAY(COMP. RELAY)

MODEL	LRT-1471G, LRT-72TG, LFT-771G	LFT-1471G
Voltage	115V/60Hz	115V/60Hz
Relay Model	PANASONIC HE1AN-Q-DC12V 30A	PANASONIC HE2AN-Q-DC12V 25A
Part code	(DY) R748A-020	R748A-030
Image		

4-3. STARTING CAPACITOR

MODEL	LRT-771G	LRT-72TG, LFT-771G
Spec	160V/145 μ F 115V	SC18CLX.2
Part code	(DY) R7549-270	R7549-280
Image		Assy Relay Box 117-7045

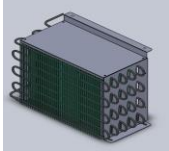

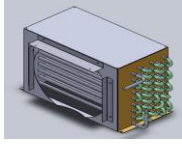

4-4. RUNNING CAPACITOR

MODEL	LRT-771G,	LRT-72TG, LFT-771G
Spec	350VAC, 15 μ F	SC18CLX.2
Part code	(DY) R7549-260	R7549-290
Image		Assy Relay Box 117-7045

4-5. DRYER

MODEL	LRT-771G, LFT-771G	LRT-1471G, LRT-72TG, LFT-1471G
Spec	36G	24G
Part code	(DY) R2183-032	R2183-200
Image		

4-6.CONDENSER COIL

MODEL		LRT-771G	LRT-1471G	LFT-771G	LRT-72TG, LFT-1471G
Spec		SWST	CU+AL	CU	CU
Part code	(DY)	R8633-010	R2272-013	R865A-130	R2272-030
Image					

4-7. CONDENSER FAN MOTOR BLADE

MODEL		ALL
Spec		AL. ϕ 225. 9" C.W
Part code	(DY)	R3729-050
Image		

4-8. CONDENSER FAN MOTOR

MODEL		ALL
Voltage		115V/60Hz
Motor Model		DAI-8204DYCA
Part code	(DY)	R7423-311
Image		

4-9. BRACKET C-FAN MOTOR

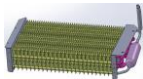
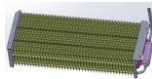
MODEL	ALL	
Motor Model	SBHG1-0 T2	
Part code	(DY)	R315A-050
Image		

4-10. EVAPORATOR FAN MOTOR


MODEL	ALL	
Voltage	115V/60Hz	
Motor Model	DAI-8204DYCA-1 CCW	
Part code	(DY)	R7423-301
Image		

4-11. EVAPORATOR COIL


MODEL	LRT-771G	LRT-1471G	LRT-72TG	
Spec	CU+AL	CU+AL	CU+AL	
Part code	(DY)	R2263-051	R2263-062	R2263-100
Image				

MODEL	LFT-771G	LFT-1471G	
Spec	CU	CU	
Part code	(DY)	R840A-080	R840A-090
Image			


4-12. EVAPORATOR DEFROST HEATER

MODEL	LFT-771G	LFT-1471G
Voltage	115V/60Hz	
Spec	445W	900W
Part code	(DY) R7313-331	R7313-440
Image		

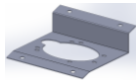
4-13. EVAP FAN BLADE

MODEL	ALL	
Spec	8". C.C.W	
Part code	(DY) R3729-010	
Image		

4-14. EVAPORATOR FAN MOTOR GUARD

MODEL	ALL	
Spec	HIPS (VH-1800EX), WHITE	
Part code	(DY) R3812-141	
Image		


4-15. MOTOR FIX BRACKET

MODEL	ALL	
Spec	STS430-2B T1*90*146	
Part code	(DY) R3203-482	
Image		


4-16. MAIN PCB

MODEL		LRT-771G	LRT-1471G, LRT-72TG	LFT-771G, LFT-1471G
Spec		FR1 SCR 220V ℃ 냉장 SCR220C-06	FR1 SCR 220V ℃ 냉장 SCR220C-A3	FR1 SCF 220V ℃ 냉동 SCF220C-A3
Part code	R725C-170	R725C-170	R725C-180	R725C-190

4-17. FRONT PCB

MODEL		TM/BM(NEW DP 적용모델)/내수수출 R,F/고급형 SIDE MOUNT TABLE		
Spec		144*39WHITE		
Part code	R725C-220	R725C-220		
Image				


4-18. INLAY CONTROL

MODEL		TM / BM(NEW DP 적용모델) / 내수수출 R,F / 고급형 SIDE MOUNT TABLE		
Spec		수출 2 BUTTON 141.8*43.5		
Part code	R511A-540	R511A-540		
Image				



4-19. POWER CORD

MODEL	LRT-771G, LRT-1471G, LFT-771G	LFT-1471G	LRT-72TG
Spec	BLK, SJT. L=3000mm.125V 15A	UL-E313867/SJT 12AWG/4C	UL138787. SJT 12AWG, 115V/20A
Part code	(DY) R7363-260	R729A-010	R729A-110
Image			




4-20. EVAPORATOR THERMAL FUSE (BIMETAL)

MODEL	LFT-771G, LFT-1471G
Spec	MAX 72±5℃
Part code	(DY) R7253-052
Image	

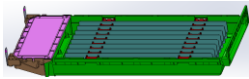
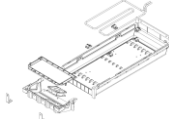
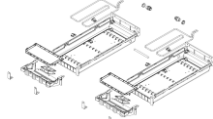
4-21. SENSOR (D-SENSOR / R-SENSOR)

MODEL	ALL	ALL
Spec	AT25℃, 10.75KΩ±1%, -25~25	AT25℃, 10.75KΩ±1%, -25~25
Part code	R7213-422	R7213-412
Image		



4-22. HARNESS SWITCH

MODEL		LRT-771G, LFT-771G	LRT-1471G, LFT-1471G	LRT-72TG
Spec		UL, AWG 18		
Part code	(DY)	R7523-261	R7523-270	R719A-071
Image				


4-23. VAPORI AS

MODEL		LRT-771G LFT-771G,LFT-1471G	LRT-1471G	LRT-72TG
Spec		ABS		
Part code	(DY)	R8522-010	R8522-040	R858A-420
Image				


4-24. CASE VAPORI

MODEL		LRT-771G, LRT-1471G LFT-771G, LFT-1471G	LRT-72TG
Spec		ABS, 602.5*275*106.5	ABS. 602.5*275*106.5
Part code	(DY)	R3422-012	R321A-520
Image			


4-25. ASSY MOTOR DC VAPORI

MODEL		ALL
Spec		DC 12V, 3000RPM, DA08025B12MF
Part code	(DY)	R831A-030
Image		



4-26. HEATER VAPORIZER

MODEL	LRT-1471G, LRT-72TG	
Spec	115V/50W	
Part code	(DY)	R7703-290
Image		


4-27. WICKING DRAIN WATER

MODEL	LRT-771G, LFT-771G, LFT-1471G	
Spec	PP.T2.5*480*63.5	
Part code	(DY)	R1154-090
Image		


4-28. HEATER DRAIN PAN

MODEL	LFT-771G	LFT-1471G
Spec	115V 90W 147Ω	115V 180W 73.5Ω
Part code	(DY) R720A-590	R720A-550
Image		


4-29. CASTER

MODEL	LRT-771G, LFT-771G	LRT-1471G LFT-1471G	LRT-72TG
Spec	SPCC 4"		
Part code	(DY)	R3323-240, R3323-230	
Q'ty	2/2	2/2	3/3
Image			

4-30. SWITCH PUSH

MODEL	LRT-771G, LFT-771G	LRT-1471G, LFT-1471G	LRT-72TG
Spec	SP201-7D 125VAC1.5A		
Part code	(DY)	R7203-010	
Q'ty	1	2	3
Image			

4-31. DOOR LOCKING ASSY

MODEL	LRT-771G, LFT-771G	LRT-1471G, LFT-1471G	LRT-72TG
Spec	ZDC, ZCR		
Part code	(DY)	R3734-030	
Q'ty	1	2	3
Image			

4-32. POWER SWITCH

MODEL	ALL		
Spec	LIGHT COUNTRY(R19A) 10A/115V		
Part code	(DY)	R7204-070	
Image			


4-33. ASSY SHELF CLIP

MODEL		LRT-771G, LFT-771G	LRT-1471G, LFT-1471G	LRT-72TG
Spec		14 SET	26 SET	36 SET
Part code	(DY)	R8429-022	R8429-012	R835A-010
Image				

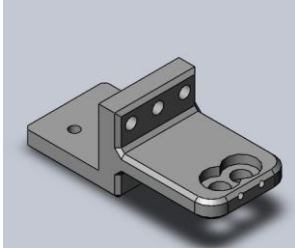
4-34. SHELF STANDARD. L

MODEL		ALL
Spec		AL, T1.2*L930
Part code	(DY)	R3373-630
Image		

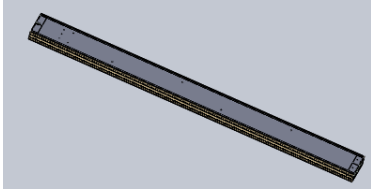
4-35. DOOR GASKET

MODEL		LRT-771G,LFT-771G	LRT-1471G, LFT-1471G	LRT-72TG
Spec		GASKET DOOR TM-G		
Part code	(DY)	R338A-070		
Q'ty		1	2	3
Image				





4-36. ASSY HINGE BOTTOM

MODEL		ALL
Spec		STS304 T4.0
Part code	(DY)	R343A-121 RH/LF
Image		

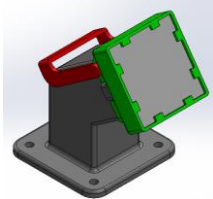
4-37. ASSY CROSS BAR

MODEL		LRT-1471G, LRT-72TG	LFT-1471G
Spec		115V 30W	115V 43W
Part code	(DY)	R816A-590	R816A-600
Image			

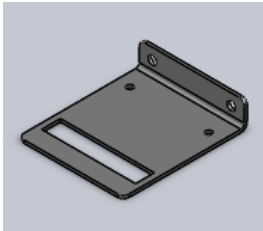
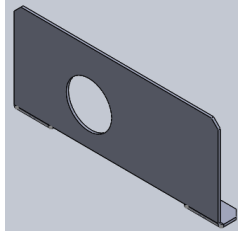
4-38. DOOR ASSY

MODEL		LRT-771G LRT-1471G LRT-72TG	LRT-1471G LRT-72TG	LFT-771G LFT-1471G	LFT-1471G
Spec		RH 669*1554 115V/20W	LF 669*1554 115V/20W	RH 669*1554 115V/55W	LF 669*1554 115V/55W
Part code	(DY)	R817B-260	R817B-250	R817B-280	R817B-270
Image					

4-39. CHECK VALVE AS

MODEL		ALL
Spec		ABS + FILTER
Part code	(DY)	R8173-130
Image		

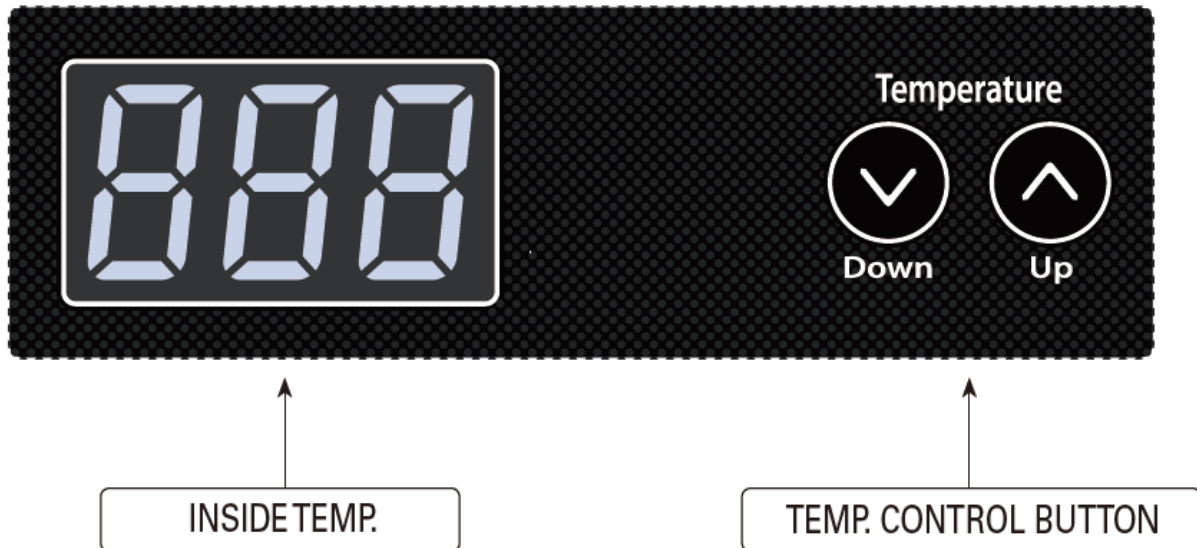
4-40. BRACKET DOOR LOCK

MODEL		ALL	
Spec		GI	
Part code	(DY)	BRACKET DOOR LOCK A	BRACKET DOOR LOCK B
		R315A-471	R315A-492
Image			

5. ELECTRONIC CONTROL INSTRUCTIONS

5-1. FREEZER CONTROL

5-1-1. HOW TO USE THE DISPLAY PCB PANEL



1. UP / DOWN BUTTON (Temperature control button)

- By pushing the up/down button, you can set the cabinet temperature.

2. DEFROST

- The electronic defrost controller is set at the factory to provide a defrost cycle every 8 hours.
- Once all frost is eliminated, the defrost control is changed to the freezer mode.
- The panel displays " dF" during the defrost.

3. DOOR OPENING INDICATOR

- If the door is left open for 3 minutes, the alarm will sound continuously.
- The alarm will stop immediately upon closing the door.

5-1-2. FUNCTION TABLE & MANUAL DEFROST

NO	Function	Content	Display
1	Power On	<ol style="list-style-type: none"> 1. OFF for 2 sec 2. First 2 sec Ver. °F : F, °C : C 3. After 2 sec Present °C/°F 4. Blinks Model name 5 times. 5. LED blinks 3 times. 6. Present °C/°F. 3. Eva sensor Temp. over 39°F(4°C) : Operate under 39°F(4°C) : Operate after 5 min 	<p>. First 2 sec Ver. °F : F, °C : C</p> <p>After 2 sec Present °C/°F</p>
2	Front Key	<ol style="list-style-type: none"> 1. Push △/▼ to change Temp. (Each time you push, 1 buzz sound.) 2. The set-up is memorized in the EEPROM and remains even after Power Off. 	<p>. Hit △/▼</p> <p>1 time - Display final set 2 times - Change set-up value</p>
3	COMP	<ol style="list-style-type: none"> 1. Operate by Temperature Value 2. Operates on Comp ON/OFF Set Value 3. If Temp. Value hits the OFF Temp. the Comp. does not operate for 5 min 	
4	FAN	<ol style="list-style-type: none"> 1. Operate with Comp. 2. If the door opens, the fan stops. 	
5	BOX HEATER	<ol style="list-style-type: none"> 1. Temp Sensor over 78°F(26°C): Box Heater Relay On. 2. Temp Sensor under 78°F(26°C). Box Heater Operates by each mode <ul style="list-style-type: none"> - 1. 1MODE : 10 min on/ 10 min off - 2. 2MODE : 15 min on/ 10 min off - 3. 3MODE : 20 min on/ 10 min off(Default) - 4. 4MODE : 25 min on/ 15 min off 3. Push ▼ 5 sec to display Mode. Hit ▼ to change Mode 4. First Cycle operates by 1 Mode 	
6	Lamp	<ol style="list-style-type: none"> 1. ON/OFF by the switch at the right of the Top Cover 	

7	Defrost	<ol style="list-style-type: none"> If the defrost period passes defrost starts from pre-cool. - 1. 5H : 5 Hr - 2. 6H : 6Hr - 3. 8H : 8 Hr(DEFAULT) - 4. AH : 10Hr Push Δ for 5 sec to display defrost period Hit Δ to get the Value desire 	
8	PRE-COOL	<ol style="list-style-type: none"> Operate for 60 min, before defrost heater on If the temperature gets below -8°C in 60 min the defrost heater will be on. Maximum PRE-COOL is 60 minutes 	. Displays Temp.
9	HEATER ON	<ol style="list-style-type: none"> Operate after Pre-Cool If the defrost sensor reaches 12°C defrost completes and heater goes Off Heater on goes maximum 50 min If fails, defrost Error Code will be saved. <p>If Temp. is over $23^{\circ}\text{F}(-5^{\circ}\text{C})$ after precool, or the sensor malfunctioned, heater will go atleast 20 min and at $28^{\circ}\text{F}(-2^{\circ}\text{C})$ it will go Off</p>	. dF
10	Resting Period	<ol style="list-style-type: none"> After heater is Off there is a 5 min resting period. 	. dF
11	Forced Defrost	<ol style="list-style-type: none"> Press Δ & \blacktriangledown for 3 minutes to enter setting mode. Press Δ to set the "dF" 	
12	Door Open and Alarm	<ol style="list-style-type: none"> Door Open LED will blink until closer every 0.5 sec. When Door is open over 5 min, Buzzer will chirp every 0.5 sec until closer. 	
13	D-Sensor Check	<ol style="list-style-type: none"> Sensor Temp. Check & Set-up <ol style="list-style-type: none"> Push Δ & hit \blacktriangledown 3 times. 1. dS : Displays D-Sensor \rightarrow hit \blacktriangledown 2. D-Sensor Temp \rightarrow hit \blacktriangledown 3. rS : Displays R-S \rightarrow hit \blacktriangledown 4. R-Sensor Temp \rightarrow hit \blacktriangledown 5. Return(return to last status. Displays current Temp or dF(Defrost) 	. dS . 888(D-Sensor) . rS . 888(R-Sensor)

		<ul style="list-style-type: none"> - After access return after the last procedure - Return after 20 min auto(D-Sensor display) 	
14	Condenser Alarm	<ol style="list-style-type: none"> 1. Alarms for an hour if set-up period is passed.. 2. 1) Push \triangle & hit \blacktriangledown 3 times 2) dS : Displays D-Sensor \rightarrow hit \triangle <ul style="list-style-type: none"> - 0 : Disabled. - 3 : 3 months - 6 : 6 months(Default) - 9 : 9 months 3) Hit \triangle to get the Value desire. 4) . Alarms every 1 sec for an hour. 5) Return <ul style="list-style-type: none"> - Power On after Off - Push \triangle & \blacktriangledown at the same time for 3 sec 	. "CL"
15	Error check mode	<ol style="list-style-type: none"> 1. Press \triangle for 3 seconds to enter error check mode 2. "no" will be displayed 3. Press \blacktriangledown to check the error 4. Normal operation will start after 15 seconds if nothing is pressed 	

5-1-3. ERROR CODE TABLE

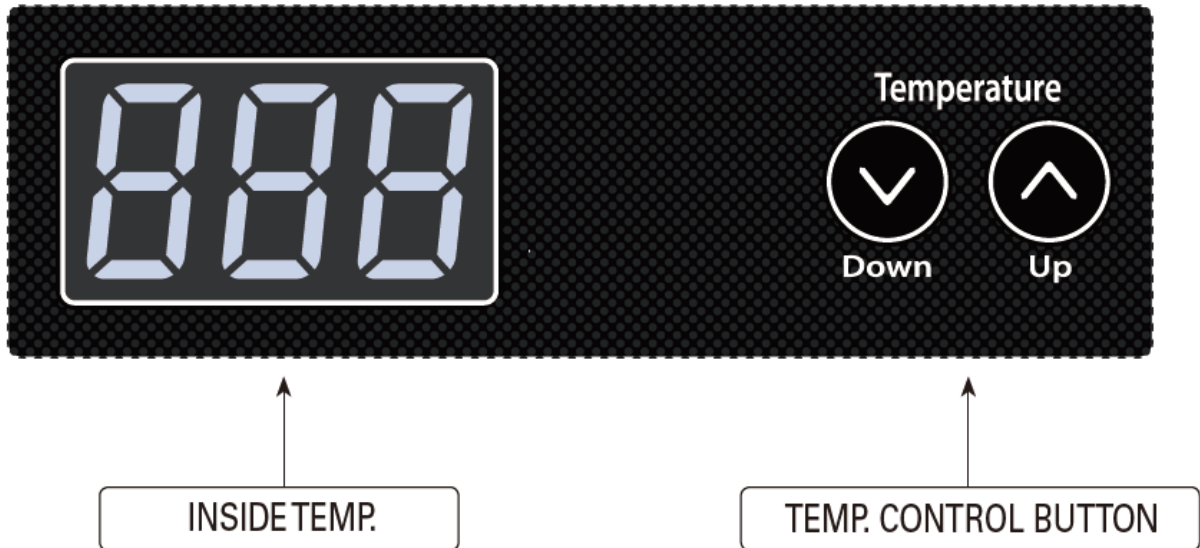
Display	Part	Reason
"S1 "	Cabinet sensor	Disconnected Sensor or Cabi temp is under -50°C
"S1_"	Cabinet sensor	Shortage of Sensor or Cabi temp is under 65°C
"rt "	Ambient sensor	Disconnected Sensor
"rt_"	Ambient sensor	Shortage of Sensor
"D1 "	Defrost sensor	Disconnected Sensor or Cabi temp is under -50°C
"D1_"	Defrost sensor	Shortage of Sensor or Cabi temp is under 65°C
"dF1"	Defrost Failure	if perform the defrost over 50 min
"CF1"	Cycle Failure	After pass 30 min from start working , Defrost sensor reached 0°C
"EHF"	High temp Fre	if cabinet temp is keeping above 15°C for 2 hours
"EHR"	High temp Ref	if cabinet temp is keeping above 7°C for 8 hours
"Edr"	Door Open	if Door S/W is open for 1 Hr
"Ufn"	Vapor pan	Vapor pan is not connected of error

5-1-4. SENSOR DESCRIPTION

Sort	Name & Function	WAFER Color
D-sensor	. Defrost Sensor . HEATER ON/OFF CONTROL during Defrost.	WHITE
R-sensor	. Room Sensor . DISPLAY & COMP ON/OFF CONTROL	YELLOW

5-2. REFRIGERATOR CONTROL

5-2-1. HOW TO USE THE DISPLAY PCB PANEL



1. UP / DOWN BUTTON (Temperature control button)

- By pushing the up/down button, you can set the cabinet temperature.

2. DEFROST

- The electronic defrost controller is set at the factory to provide a defrost cycle every 8 hours.
- Once all frost is eliminated, the defrost control is changed to the freezer mode.
- The panel displays "dF" during the defrost.

3. DOOR OPENING INDICATOR

- If the door is left open for 3 minutes, the alarm will sound continuously.
- The alarm will stop immediately upon closing the door.

		Default	Temp. Range	Level
°C	REF.	2	-3~7	6
	FEZ.	-18	-24~-3	9
°F	REF.	35	28~39	12
	FEZ.	0	-9~5	15

5-2-2. FUNCTION TABLE

NO	Function	Content
1	Power On	<ul style="list-style-type: none"> - OFF for 2 sec - First 2 sec Ver. °F : F, °C : C - After 2 sec Present °C/°F - Blinks Model name 5 times. - LED blinks 3 times. - Present °C/°F.
		<p>2. Defrost Check</p> <p><F Model > : LFT-771G , LFT-1471G</p> <ul style="list-style-type: none"> - Defrost Sensor Operation <ol style="list-style-type: none"> 1) COMP On above 38°F(3.5°C) 2) Defrost On, under 38°F(3.5°C) ※ After 5min COMP delay pre-cool operate before defrost. <p><R Model > : LRT-771G , LRT-1471G, LRT-72TG</p> <ul style="list-style-type: none"> - Room Sensor Operation. <ol style="list-style-type: none"> 1) COMP On above 41°F(5.0°C) 2) Defrost On, under 41°F(5.0°C)
2	Normal Operation	<ul style="list-style-type: none"> - COMP 5min delay (COMP OFF for 5 min) - COMP ON/OFF by Room Sensor Temp.
3	FRE. Defrost Period	<ul style="list-style-type: none"> - Defrost Period can be set to 5/6/7/8/9/10Hr - Default 8hr
4	REF Defrost Period	<ul style="list-style-type: none"> - Defrost every 5 Hr.
5	Defrost System -FRE. Defrost System 1. PRE-COOL	<ul style="list-style-type: none"> - To Lower Room Temp. before HEATER ON - When Defrost Period, PRE-COOL on before HEATER ON - HEATER ON if Temp. is under 17°F(-8°C) in 60min - Maximum PRE-COOL time is 60min
	2. HEATER ON	<ul style="list-style-type: none"> - If the defrost sensor reaches 51°F/12°C defrost complRTes and heater goes Off - Heater on goes maximum 50 min. - When Defrost SENSOR ERROR, HEATER is on for 20min. HEATER OFF when Temp. is 28°F(-2°C) - When Defrost Sensor / Room Sensor error HEATER is on for 20min - If HEATER ON goes maximum 50min and does not reach the Defrost Return Temp. ERROR CODE will be saved. ※ This ERROR Occurs Pre-COOL disable
5	3. Resting Period	<ul style="list-style-type: none"> - After heater is Off there is a 5 min resting period. - HEATER, FAN, COMP ALL OFF.

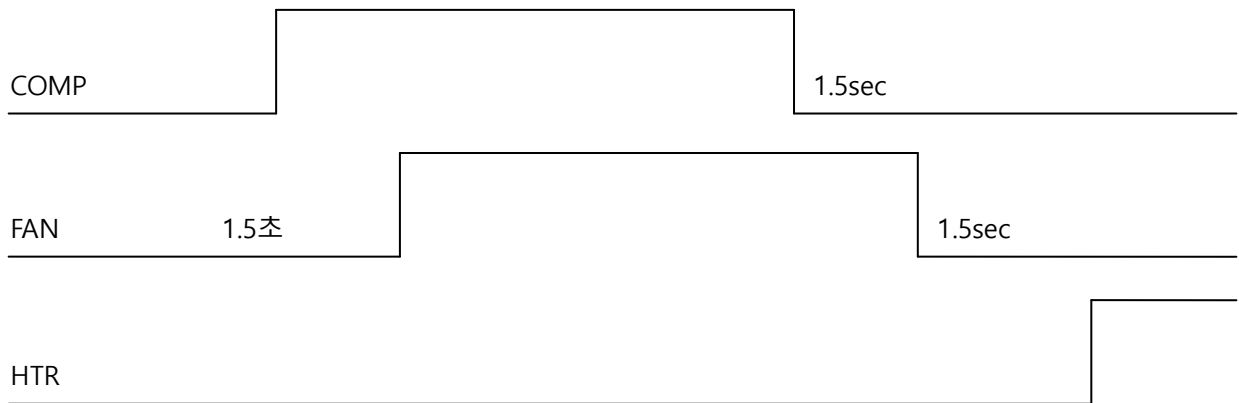
	4. FAN Off	<ul style="list-style-type: none"> - After Resting Period FAN is off for Maximum 5min. - Only COMP Operates for the EVA - If Temp. is under 14°F(-10°C) before 5 min, FAN will go off and activate normal operation.
6	REF. Defrost System	<ul style="list-style-type: none"> - Operate FAN for Defrost. - If Air Sensor ERROR, Defrost for 30 min and return. - After 30min Defrost, Air Sensor displays return Temp. - When Temp. reaches the return temp. normal operation. ※When Set-up Temp. is under 30°F(-1°C), Return Temp. is 37°F(+3°C) When Set-up Temp. is above 32°F(0°C) Return Temp. is 41°F(5°C).
7	HTR Control (BOX HTR)	<ul style="list-style-type: none"> - When COMP ON POINT Temp. is higher than RT Temp. HTR goes OFF. - When RT Temp. is above 78°F(26°C) HTR is On. - When RT Temp. is between 78°F(26°C)~Comp On Temp. HTR is 10min ON 10min OFF - When RT Temp is below Comp On Temp. HTR goes OFF.
8	REF. Frost Prevent System	<ul style="list-style-type: none"> - COMP OFF → EVA FAN OFF. - To prevent REF. EVA Frost, If Room Temp. is under 32°F(0°C) FAN activates.
9	Door Open and Alarm	<ol style="list-style-type: none"> 1. Door Open LED will blink until closer every 0.5 sec. 2. When Door is open over 5 min, Buzzer will chirp every 0.5 sec until closer.
10	FAN	<ol style="list-style-type: none"> 1. Operate with Comp. 2. If the door opens, the fan stops.
11	Vapor Pan ERROR Display	<ul style="list-style-type: none"> - Vapor fan ERROR : beeping sounds with SEGMENT blinks Temp.(3sec) -uFn(0.5sec) repeat. - Beeping sounds goes for 5min. - Vapor Pan ERROR can be disabled or enabled by OPTION.
12	Condenser Alarm	<ul style="list-style-type: none"> - Alarms for an hour if set-up period is passed.. - Alarms goes on with SEGMENT "CL". - Alarms every 1 sec for an hour. - Return : Power On after Off, Push △ & ▼ at the same time for 3 sec - (Default : 0) Cleaning alarm is off.

a) COMP Operation

- 1) COMP 5 min OFF (COMP disabled for 5 min)
- 2) Operate by Temperature Value.
- 3) If Temp. Value hits the OFF Temp. the Comp. does not operate for 5 min.

b) AC Load Control

- 1) Each Part does not operate together, each operate by a 1.5 sec term.



Push Δ / \blacktriangledown KEY.for 3 sec to enter control mode

888SEGMENT

S	E	L
---	---	---

NO	MODE	SW 4(Δ)	Display	Content
1	Forced Defrost	1 times	ds	After 5 seconds, LED excepting 888 segment will be off
2	Mode Control	2 times	OF	
3	Each part TEST	3 times	St	
4	Error Check	4 times	no	
5	Ver. Change	5 times	23F	
6	$^{\circ}$ C/ $^{\circ}$ F Change	6 times	F	
7	Cabinet Heater	7 times	Ht	
8	LED check & E ² PROM clear	8 times	LED blinks	
9	Change Fan mode	9 times	- -	
10	Change maximum temp	10 times	HL	
11	Change minimum temp	11 times	LL	

a) Forced Defrost

- 1) Display : 888SEGMENT - "ds"
- 2) Content : ① Press SW3(▽) during 1) to Force Defrost.
② 888 SEGMENT - "dF"

b) Mode Control

- 1) Display : 888 SEGMENT.

0	F
---	---

 After 1 sec

0	0
---	---

- 2) Content : Press SW(△) to change mode – OFF Temp.→ DIF Change →
Adjust Temp.gap → Defrost Time Change.

- ① 0F 1 sec 00 : 23°F(-5.0)~41°F(+5.0) – 32°F(0.5°C) change
(32°F(0.5°C)→32(5) Display)
- ② 0d 1 sec 20 : 32(0.25) → 32(0.5) → 33(0.75) → 33(1.0) → 34(1.5) →
35(2.0) → 37(3.0) → 39(4.0) → 41(5.0)
- ③ CA 1 sec 00 : 23°F(-5.0)~41°F(+5.0) – 33°F(1°C) change
(Room Temp. gap adjustment)
- ④ dt 1 sec 6 : FRE. Defrost Time (0, 5 ~ 10 Hr) – 1Hr Change
(0 : Disable)
REF. Defrost Time (0, 5~10 Hr) – 1Hr Change

- SW(▽) button for adjustment.
- Auto-save for change in the set-up.
- 15sec auto return.

c) Each part TEST

- 1) Display : 888SEGMENT – “St”
- 2) Content : Press SW4(△) 0~3 Mode Change.
- 3) Each part TEST Cancel : 15sec auto return.

단계	Function	Time	DISPLAY	Content			
0	All OFF	10sec auto return	<table border="1" style="display: inline-table;"> <tr> <td style="width: 20px; height: 20px;"></td> <td style="width: 20px; height: 20px; text-align: center;">S</td> <td style="width: 20px; height: 20px; text-align: center;">t</td> </tr> </table>		S	t	
	S	t					
1	COMP ON FAN ON	∞	<table border="1" style="display: inline-table;"> <tr> <td style="width: 20px; height: 20px;"></td> <td style="width: 20px; height: 20px; text-align: center;">C</td> <td style="width: 20px; height: 20px; text-align: center;">P</td> </tr> </table>		C	P	
	C	P					
2	COMP OFF FAN OFF Defrost HTR ON	∞	<table border="1" style="display: inline-table;"> <tr> <td style="width: 20px; height: 20px; text-align: center;">d</td> <td style="width: 20px; height: 20px; text-align: center;">H</td> <td style="width: 20px; height: 20px; text-align: center;">t</td> </tr> </table>	d	H	t	R Model does not have function
d	H	t					
3	COMP OFF FAN OFF Defrost HTR OFF Cord HTR ON	∞	<table border="1" style="display: inline-table;"> <tr> <td style="width: 20px; height: 20px; text-align: center;">C</td> <td style="width: 20px; height: 20px; text-align: center;">H</td> <td style="width: 20px; height: 20px; text-align: center;">t</td> </tr> </table>	C	H	t	
C	H	t					

d) Error Check

- 1) Display
 - No Error

	n	O
--	---	---

- Error

S	1	-
---	---	---

: S1-SENSOR SHORTAGE

- Press SW(△) to check the errors
- Specific errors are below.

e) Ver. Change

- 1) Press SW(▽) – "rEF" -> "FrE"
 - 2) 15sec auto save.
- ※ Re-enter the power plug to confirm change.
(Ver. Change initializes set-up.)

f) °C/°F Change

- 1) Press SW(▽) - F → C
- 2) 15sec auto save.

g) Cord H/T Change

① Press SW(▽)

- "00" → "02" → "04" → ~ "30" → "40" → "100" → "00"

Display	On	Off	Display	On	Off
"00"	Cord H/T Off		"15"	15min	10min
"02"	2min	10min	"20"	20min	10min
"04"	4min	10min	"25"	25min	10min
"06"	6min	10min	"30"	30min	10min
"08"	8min	10min	"40"	40min	10min
"10"	10min	10min	"100"	Cord H/T on ∞	

- Default "10"

② 5sec auto save.

h) LED check & E² PROM clear

- 1) LED blinks 5 times & returns.
- 2) E²PROM Clear & reset.
(set-up °C/°F is remembered.)

i) Vapor Pan ERROR

① Hold ▼ & hit △ 5 times to display Vapor Pan enable or disable mode.

② Press ▼

	O	N
--	---	---

 ->

O	F	F
---	---	---

③ 15sec auto save

j) Temp. Check Mode.

1) Content

Hold △ & hit ▼ 3 times to enter Mode.

① SEGMENT : display value

② Operation : Normal Operation

2) Adjustment

① Press ▼

- Display DS → D-SENSOR Temp. → RS → R-SENSOR Temp. → Return
(REF. : D-Sensor OPEN : tO
D-Sensor SHORT : tS)

3) Return

① Press ▼ until Return.

② 20min return after "DS".

k) Condenser Alarm

1) Content

Hold \triangle & hit \blacktriangledown 3 times to enter Mode.

Press \triangle To Check period..

- ① SEGMENT : display value
- ② Operation : Normal Operation

2) Adjustment

- ① Press \triangle to adjust period.
 - 0 \rightarrow 3 \rightarrow 6 \rightarrow 9 \rightarrow 0 cycle.
 - 0 : Disable
 - 3 : 3 months
 - 6 : 6 months
 - 9 : 9 months

3) Return

- ① 15sec Return.

a) S1 – Sensor Error

- 1) S1 – Sensor SHORTAGE or Temp. is over 143°F(62°C)
SEGMENT – “ESH” & Blinks.
- 2) S1 – Sensor OPEN or Temp. is under –58°F(–50°C)
SEGMENT – “ESL” & Blinks.
- 3) ERROR Mode Operation.
 - REF. S1 – Sensor ERROR : 10min On/20min Off
 - FRE. S1 – Sensor ERROR : 10min On/6min Off
- 4) If ERROR is removed – Normal Operation.

※ Types of Sensors

No.	Sensor	Description
1	S1 - Sensor	Detected cabinet temperature.
2	D1 - Sensor	Detected Evaporator Coil temperature to defrost system.
3	Rt - Sensor	Detected ambient temperature.

2. Check Error

* Errors will be displayed, if there is no error Display "nO".

NO	Code	Error code	Error explanation	Status of Unit
		DISPLAY		
1	S1-SENSOR (Room Sensor)	S 1	Disconnected Sensor or Room temp is under-58°F	Operate Error mode
		S 1 -	Shortage of Sensor or Room temp is under 149°F	
2	Rt-SENSOR (Ambient sensor)	r t	Disconnected Sensor	Normal Operation
		r t -	Shortage of Sensor	
3	D1-SENSOR (Defrost - Sensor)	D 1	Disconnected Sensor or Room temp is under-58°F	Normal Operation
		D 1 -	Shortage of Sensor or Room temp is under 149°F	
4	Fail to defrost	d F 1	If perform the defrost over 50 min	Normal Operation
5	Fail of Cooling Cycle	C F 1	After pass 30 min from start working , Defrost sensor reached 32°F	Normal Operation
6	Hi temp Frz	E H F	if cabinet temp is keeping 59°F for 8 hr	Normal Operation

7	Hi temp Ref	E H r	if cabinet temp is keeping 45°F for 8 hr	Normal Operation
8	E ² PROM Error	E E P	E ² PROM cannot Read & Write	Normal Operation
9	Open Door	E D r	if Door S/W is open for 1 Hr	Operate Error mode
10	Vapor Pan Error	u F n	Vapor Fan is not connected of error	Normal Operation

When a combined temperature/amperage value is above the limit specified by the compressor manufacturer, a protector will operate independently, turning off the compressor. The compressor will restart when this protector has reset.

Note :

1. Compressor protector resets automatically.
2. If condenser fan is operating and the compressor is off, it is most likely that the protector has operated.

V. Service Diagnosis

A. Diagnosis Chart

Problem	Possible Cause		Remedy	
1. Compress will not start - no current draw.	1. Power Switch	1. "OFF" position.	1. Move to "ON" position.	
		2. Loose connection.	2. Tighten.	
		3. Failure.	3. Call electrician.	
	2. Cord and Plug	1. Defective.		1. Replace.
	3. Ground Fault Circuit interrupter	1. Tripped.		1. Check and reset.
		2. Defective.		2. Replace.
	4. Voltage	1. Too low.		1. Call electrician.
		2. Too hige.		2. Call electrician.
	5. Wiring to Control Board	1. Loose connection.		1. Tighten.
		2. Faulty.		2. Check continuity and replace.
	6. Transformer	1. Open coil winding.		1. Check continuity and replace.
	7. Control Board	1. Defective.		1. Replace control board.
8. Compressor Overload	1. Defective.		1. Replace.	
9. Compressor	1. Open windings.		1. Check continuity and replace.	
10. Relay(Compressor)	1. Bad contacts.		1. Replace.	
	2. Open coil winding.		2. Check and replace.	
2. Compressor will not run - draws current and trips on overload.	1. Voltage	1. Too low.	1. Call electrician.	
	2. Start Relay	1. Bad contacts.	1. Replace.	
		2. Open coil winding.	2. Replace.	
	3. Compressor	1. Locked rotor.	1. Replace.	
4. Start Capacitor	1. Defective.		1. Check and replace.	
3. Compressor runs intermittently and trips on overload.	1. Voltage	1. Too low.	1. Call electrician.	
		2. Too hige.	2. Call electrician.	
	2. Refrigerant Line or Component	1. Plugged or restricted.		1. Clean and replace filter
	3. Condenser Fan Motor	1. Failed.		1. Replace.
	4. Refrigerant	1. Overcharged.		1. Evacuate and recharge
		2. Non-condensibile in system		2. Evacuate and recharge
5. Location of Unit	1. Restricted air flow to condenser.		1. Move unit or increase ventilation.	

4. Cabinet inside temperature too high; compressor will not start	1. Compressor Relay	1. Defective. (115V to relay coil.)	1. Check and replace.
	2. Circuit Board	1. Defective. (Compressor relay coil not energized at 115V.)	1. Replace.

Problem	Possible Cause		Remedy
5. Cabinet temperature too high.	1. Setpoint	1. Incorrect.	1. Correct setpoint. Factory defaults : Freezer -0.4°F(-18°C) Refrigerator 35°F(2°C)
	2. Door	1. Not sealing, or open for long intervals.	1. Check for sealing, check for door open at time of warm cabinet temperature.
	3. Defrost	1. Not enough defrosts occurring per day. Operation in humid conditions.	1. Freezer ; See "C. 1. 5 Defrost System." 2. Refrigerator : "C. 1. 6 Defrost System." 3. Check D-Sensor position.
	4. Refrigerant	1. Leak.	1. Repair leak and recharge
	5. Fan Motor	1. Defective.	1. Check and replace.
	6. Condenser	1. Dirty.	1. Clean.
	7. S1-Sensor	1. Defective.	1. Check and replace.
	8. Control Board	1. Defective.	1. Replace.
6. Cabinet temperature display indicator does not illuminate properly.	1. Board Connection	1. Bad connection between control board and display board.	1. Check connection.
	2. Display Board	1. Defective.	1. Replace.
	3. Control Board	1. Defective.	1. Replace.
7. Cabinet inside temperature too low.	1. Sensor	1. Defective.	1. Check and Replace.
	2. Compressor Relay	1. Defective; contacts welded.	1. Replace.
	3. Circuit Board	1. Defective.	1. Replace.
8. Evaporator does	1. D-Sensor	1. Defective.	1. Check and replace.

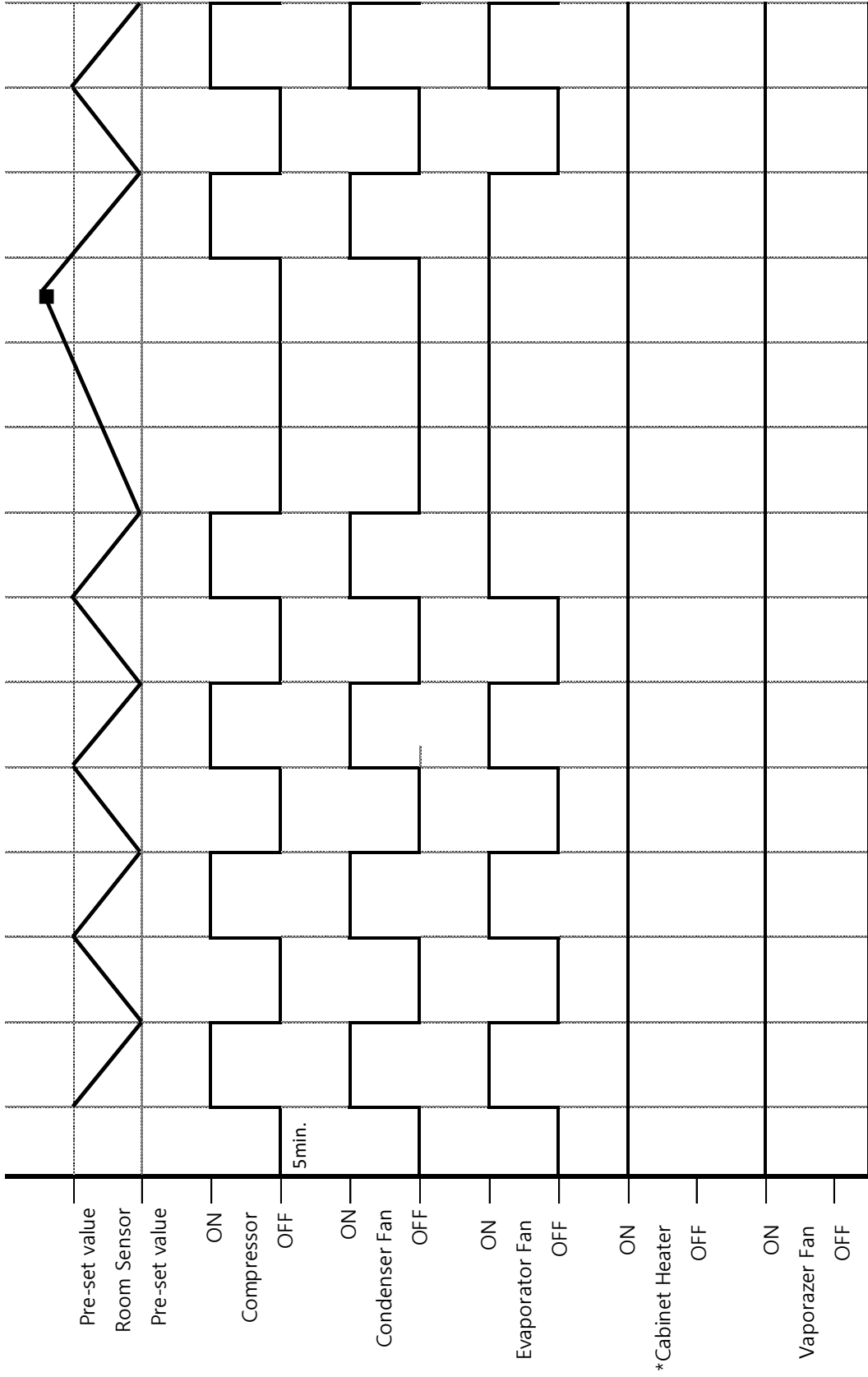
not defrost completely	2. Defrost	1. Not enough defrosts occurring per day. Operation in humid conditions.	1. Freezer ; See "C. 1. 5 Defrost System." 2. Refrigerator : "C. 1. 6 Defrost System." 3. Check D-Sensor position.
	3. Defrost Heaters	1. Defective.	1. Freezer : Replace heaters.
	4. Safety Defrost Thermostat	1. Defective, turning off heaters prematurely, or fused open.	1. Freezer : Replace safety defrost thermostat.

Problem	Possible Cause		Remedy
9. Defrost cycle lasts too long.	1. Defrost Sensor	1. Defective.	1. Replace.
	2. Control Board	1. Defective.	1. Replace.
	3. Defrost	1. Not enough defrosts occurring per day. Operation in humid conditions.	1. Freezer ; See "C. 1. 5 Defrost System." 2. Refrigerator : "C. 1. 6 Defrost System." 3. Check D-Sensor position.
	3. Defrost Heaters	1. Defective.	1. Freezer : Replace heaters.
	4. Safety Defrost Thermostat	1. Defective, turning off heaters prematurely, or fused open.	1. Freezer : Replace safety defrost thermostat.
11. Abnormal noise	1. Fasteners	1. Loose fasteners allow vibration of part.	1. Tighten fasteners.
	2. Compressor	1. Problem with mount.	1. Properly mount compressor. Replace any missing grommets.
		2. Floodback to compressor.	2. Check for signs of floodback to compressor.

			ssor. Evacuate and recharge if necessary.
		3. Defective.	3. Replace.
	3. Fan	1. Fan blade loose.	1. Adjust and tighten.
		2. Defective motor.	2. Replace.
	4. Relay	1. Chattering.	1. Replace.

Thermistors (semiconductors) are used for the cabinet control sensor and defrost termination sensor. The resistance varies depending on temperature. No adjustment is required.

If necessary, check for resistance between thermistor leads and visually check the thermistor mounting.

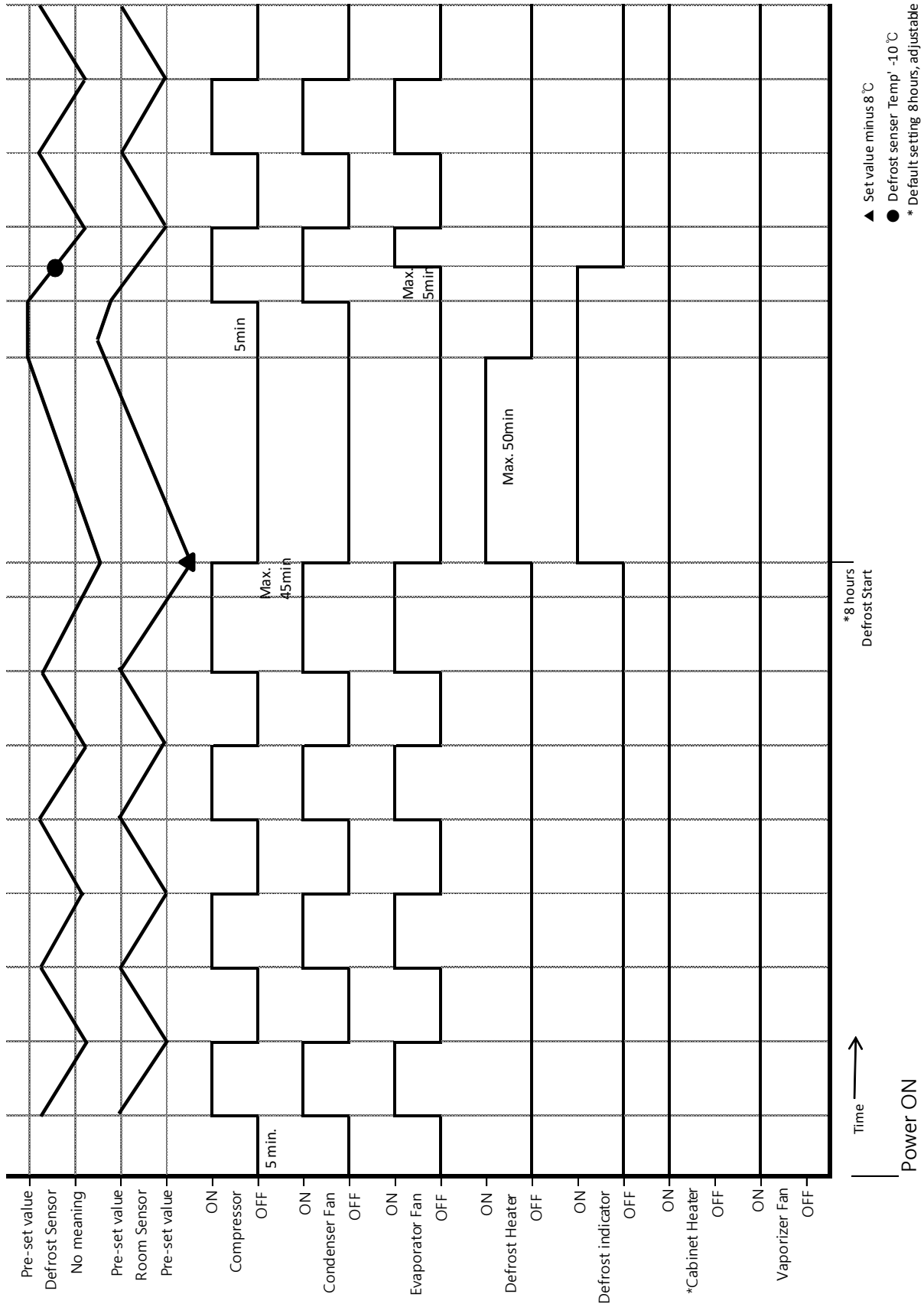


■ Set value -1°C ↓ : Return Temp' +3°C
 Set value 0°C ↑ : Return Temp' +5°C
 * AT < Comp ON Temp : Heater OFF
 Comp ON Temp < AT < 26°C : 10 min. ON/OFF
 26°C < AT : Heater ON
 AT : Ambient Temperature

5 hours
Defrost start

Time →

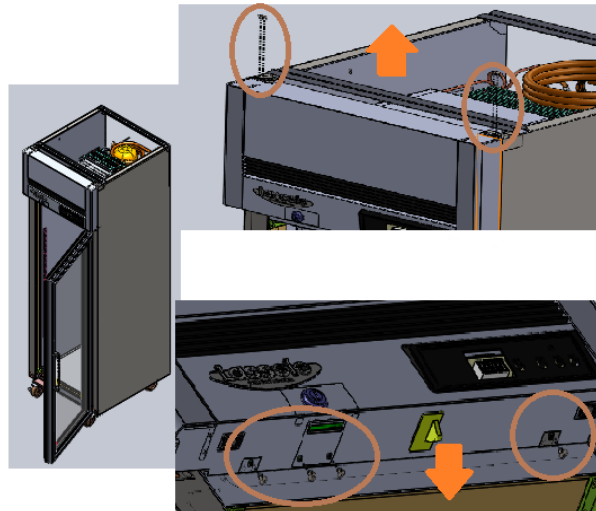
Power ON



6. HOW TO REPLACE THE DOOR

■ GLASS DOOR Disassembling

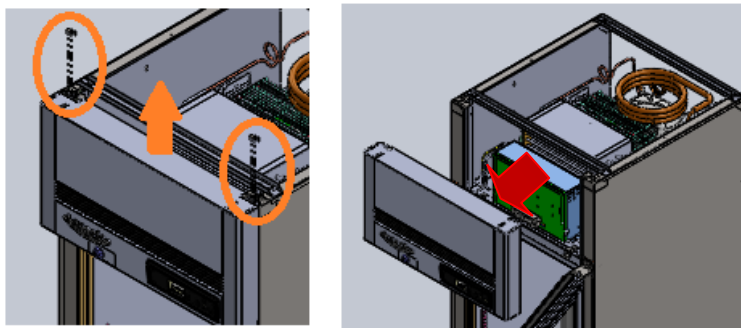
1. Open the DOOR and pull out the bottom B/K SCREW and top screws of the TOP GRILL.



[Picture 1]

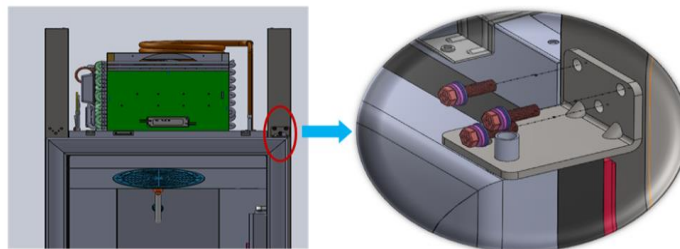
2. Disassemble the TOP GRILL after pulling out the SCREWS.

※Disassemble the Relay Housings for the TOP GRILL ASSY



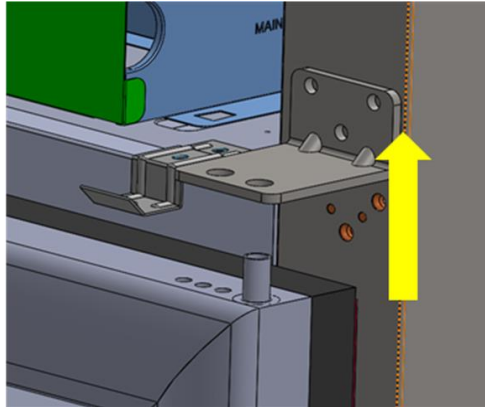
[Picture 2]

3. Remove the HINGE UPP HINGE BOLT.



[Picture 3]

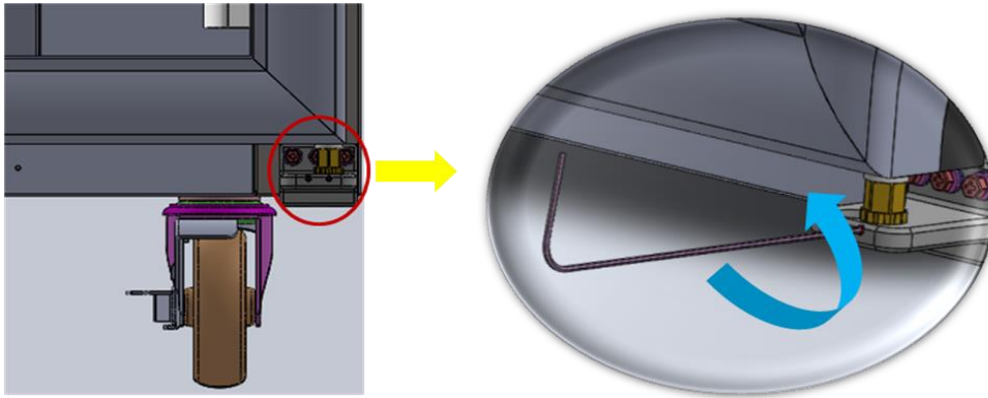
4. Remove the GLASS DOOR HEATER HOUSING / HINGE UPP.



[Picture 4]

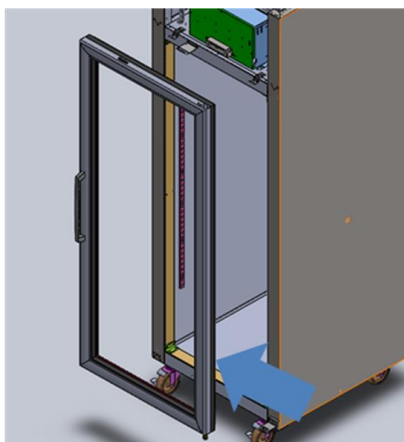
5. Remove HINGE BOTTOM SET SCREW.

※Use a M4 Allen-Key (Hexwrench)



[Picture 5]

6. Remove the GLASS DOOR.

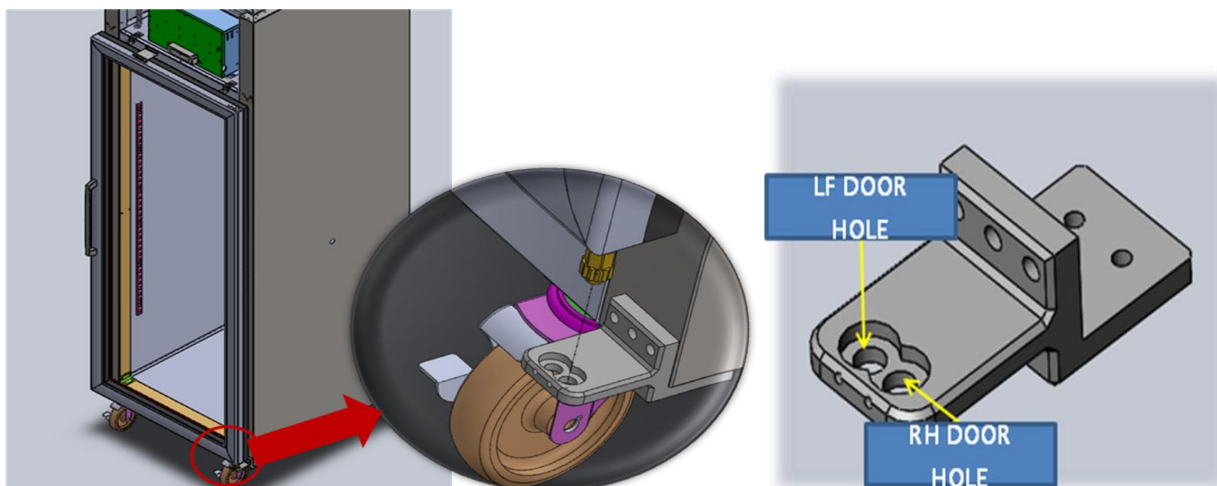


[Picture 6]

▣ GLASS DOOR Assembling

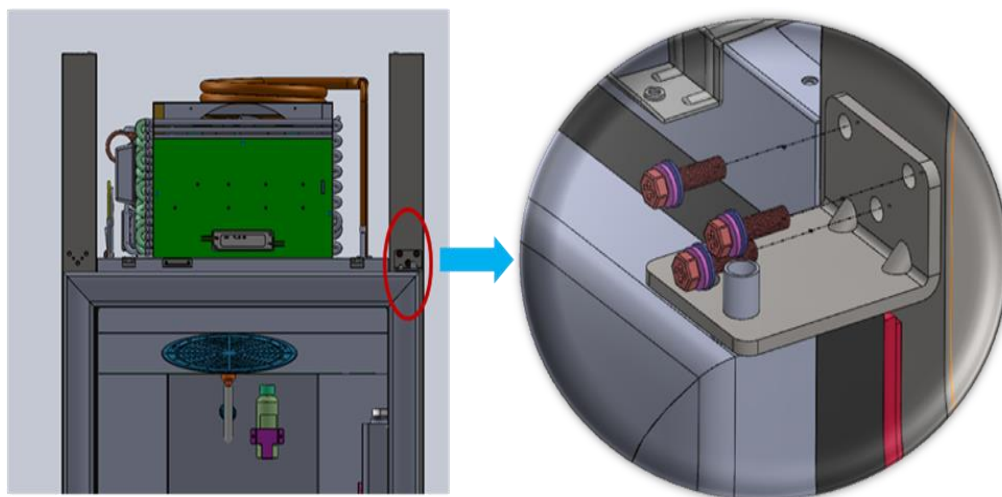
※GLASS DOOR Assembling is the opposite procedure of disassembling, but for the DOOR AUTO CLOSING one should assemble by [Picture 3],[Picture 4].

1. Line up the HINGE BOTTOM HOLE and SHAFT TENTION BAR.



[Picture 1]

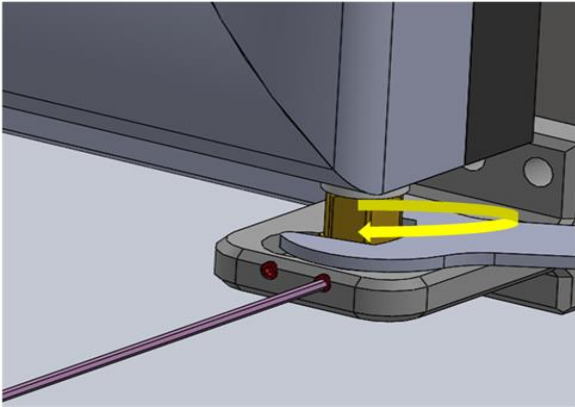
2. Assemble the HINGE UPP.



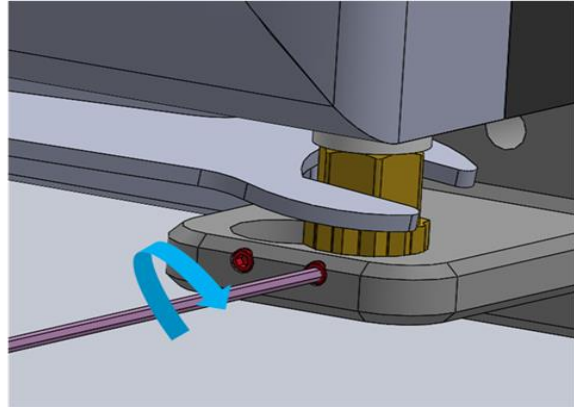
[Picture 2]

3. Assembling the HINGE BOTTOM SET SCREW

- ① SPANER (R3074-030) on the SHAFT TENTION BAR and turn it 180° as in [Picture 3],[Picture 4]. (Turn the opposite way for LF DOORS)
- ② After turning 180°, Assemble the SET SCREW as in [Picture 4]

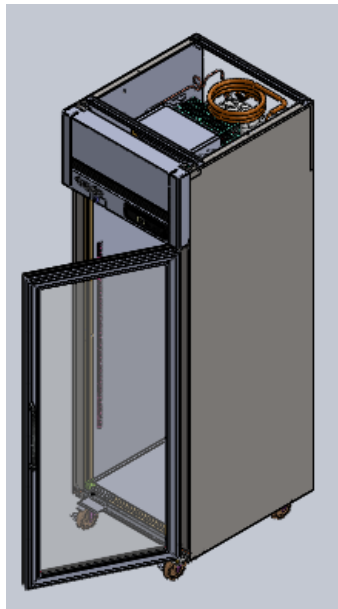


[Picture 3]



[Picture 4]

4. After checking the assembling of the DOOR HEATER HOUSING Relay's, start the TOP GRILLE ASSY assembling and check the DOOR AUTO CLOSING function.



[Picture 5]

7. PART-LIST

Code	Part name	Description	Glass				
			LRT-771G	LRT-1471G	LFT-771G	LFT-1471G	LRT-72TG
COMPRESSOR							
R7439-110	COMPRESSOR	SK1A1C-L2W	1				
R7439-600	COMPRESSOR	SC18CLX2			1		1
R714A-010	COMPRESSOR	SC18G		1			
R714A-020	COMPRESSOR	GS26CLX				1	
R7549-270	STARTING CAPACITOR (1A1C)	160VAC 145 μ F, 115V	1				
R7549-280	STARTING CAPACITOR (ASSY RELAY BOX)	117-7045 125~165V/410 μ F			1		1
R7549-260	RUNNING CAPACITOR	350VAC 15 μ F, 115V	1				
R7549-290	RUNNING CAPACITOR (ASSY RELAY BOX)	280V/23.5 μ F			1		1
CONDENSER							
R8633-010	CONDENSER AS	SWST ϕ 4.76*13190	1				
R2272-013	CONDENSER COIL	370*184		1			
R2272-030	CONDENSER COIL PIN (72F)	CU, 545*270*140				1	1
R865A-130	ASSY CONDENSER	CU, S9*338			1		
DRYER ASSY							
R2183-032	DRYER	R-134A, 36G	1		1		
R2183-200	DRYER ASSY	R-404A, 24G		1		1	1
CONDENSER FAN MOTOR							
R7423-311	CONDENSER FAN MOTOR	115V 60Hz, DAI-8204DYCA CW	1	1	1	2	2
R315A-050	BRACKET C-FAN MOTOR	GI, T2.0*185.6*194.8	1	1	1	2	2
R3729-050	CONDENSER FAN MOTOR BLADE	115V FAN MOTOR AL 9" C.W	1	1	1	2	2
VAPORI AS							
R3422-012	CASE VAPORI	ABS, 602.5*275*106.5	1	1	1	1	
R321A-520	CASE VAPORI T72	ABS, 602.5*275*106.5					1
R3422-030	CASE DC MOTOR	ABS, 283*143.5*69.5	1	1	1	1	2
R831A-030	ASS'Y MOTOR DC VAPORI	DC 12V/DA08025B12MF	1	1	1	1	2
HARNESS							
R719B-510	HARNESS MAIN AC-A T23RG	115V NEW LED LAMP TYPE	1				
R719B-520	HARNESS MAIN AC-A T49RG	115V NEW LED LAMP LRT-1471G		1			
R719B-530	HARNESS MAIN AC-A T72RG	115V NEW LED LAMP LRT-72TG					1

Code	Part name	Description	Glass				
			LRT-771G	LRT-1471G	LFT-771G	LFT-1471G	LRT-72TG
R719B-540	HARNESS MAIN AC-A T23FG	115V NEW LED LAMP LFT-771G			1		
R819B-550	HARNESS MAIN AC-A T49FG	115V NEW LED LAMP LFT-1471G				1	
R719B-570	HARNESS MAIN AC-B T23RG	115V NEW LED LAMP EL-RG-23	1				
R719B-580	HARNESS MAIN AC-B T49RG	115V NEW LED LAMP EL-RG-49		1			
R719B-590	HARNESS MAIN AC-B T72RG	115V NEW LED LAMP EL-RG-72					1
R719B-600	HARNESS MAIN AC-B T23FG	115V NEW LED LAMP EL-FG-23			1		
R719B-610	HARNESS MAIN AC-B T49FG	115V NEW LED LAMP EL-FG-49				1	
R838A-110	ASSY HARNESS INNER T23RG	115V NEW LED LAMP MCRT- 23GD	1				
R838A-120	ASSY HARNESS INNER T49RG	115V NEW LED LAMP MCRT- 49GD		1			
R838A-130	ASSY HARNESS INNER T72RG	115V NEW LED LAMP MCRT- 72GD					1
R838A-140	ASSY HARNESS INNER T23FG	115V NEW LED LAMP MCFT- 23GD			1		
R838A-150	ASSY HARNESS INNER T49FG	115V NEW LED LAMP MCFT- 49GD				1	
R7363-260	POWER CORD	125V 15A	1	1	1		
R729A-010	POWER CORD	UL-E313867/SJT 12AWG/4C				1	
R729A-110	POWER CORD	115V 20A					1
R7703-290	HEATER VAPORI	115V/50W		1			2
R1154-090	WICKING DRAIN WATER	PP, T2.5*480*63.5	8		8	8	
R225A-010	FITTING TUBE	PE TUBE, Φ12 L=100mm					1
R8522-040	VAPORI AS T49R	ABS, DC12V, 115V/50W		1			
R8522-010	VAPORI AS TM	ABS, DC12V	1		1	1	
R858A-420	VAPORI AS T72R	ABS, DC12V, 115V/50W					2
EVAPORATOR							
R2263-051	ASSY EVAPORATOR	CU+AL, T23F	1				
R2263-062	ASSY EVAPORATOR	CU+AL, T49F		1			
R2263-100	ASSY EVAPORATOR	CU+AL, T72F					1
R840A-080	ASSY EVAPORATOR	CU Φ9.52 465*236*105			1		
R840A-090	ASSY EVAPORATOR	CU Φ9.52 985*236*105				1	
R7313-331	DEFROST HEATER	115V/445W, WHITE			1		
R7313-440	DEFROST HEATER	115V/ 900W				1	
R720A-450	HEATER DRAIN PAN	BM/TM 115V 90W 147Ω	1				
R7313-431	HEATER DRAIN PAN	115V 180W, 72F				1	

Code	Part name	Description	Glass				
			LRT-771G	LRT-1471G	LFT-771G	LFT-1471G	LRT-72TG
R7253-052	EVAPORATOR THERMAL FUSE	MAX 72±5℃			1	1	
R7423-301	EVAPORATOR FAN MOTOR	115V 60Hz, DAI-8204DYCA-1 CCW	1	2	1	2	2
R3729-010	EVAP FAN BLADE	AL, 8 INCH. CCW	1	2	1	2	2
R3203-482	MOTOR FIX BRACKET	STS430-2B, T1.0*90*146	1	2	1	2	2
R3812-141	EVAPORATOR FAN MOTOR GUARD	HIPS (VH-1800EX). WHITE	1	2	1	2	2
R7213-412	SENSOR ROOM	AT25℃.10.75 kΩ±1%. -25~25	1	1	1	1	1
R7213-422	D-SENSOR(EVAP-SENSOR)	AT25℃, 10.75KΩ±1%, -25~25	1	1	1	1	1
R833A-080	ASSY LAMP LED	DC12V L1200	1	1	1	1	2
R813A-350	ASSY EVA COVER	TM23GLED LAMP 115V	1				
R813A-370	ASSY EVA COVER	TM49GD LED LAMP 115V		1			
R813A-360	ASSY EVA COVER	F23GD LED LAMP 115V			1		
R813A-380	ASSY EVA COVER	F49GD LED LAMP 115V				1	
R813A-390	ASSY EVA COVER	R72GD LED LAMP 115V					1
GRILLE TOP							
R818B-090	ASSY GRILLE TOP	LRT-771G, LFT-771G	1		1		
R818B-100	ASSY GRILLE TOP	LRT-1471G, LFT-1471G		1		1	
R818B-110	ASSY GRILLE TOP	LRT-72TG					1
R5133-160	MASCOT (라셀르 영문/Gray)	AL. LASSELE 영문 157.7*40	1	1	1	1	1
R725C-170	PCB MAIN SHOW CASE 23R	FR1 SCR 220V ℃ 냉장SCR220C-06	1				
R725C-180	PCB MAIN SHOW CASE 49/72R	FR1 SCR 220V ℃ 냉장SCR220C-A3		1			1
R725C-190	PCB MAIN SHOW CASE 23/49F	FR1 SCF 220V ℃ 냉동SCF220C-A3			1	1	
R321A-920	CASE CONTROL PANEL	ABS GRAY 380G / 166.5*60.5	1	1	1	1	1
R725C-220	FRONT PCB	144*39WHITE TM/BM/내수수출 R,F/고급형 SIDE	1	1	1	1	1
R511A-540	INLAY CONTROL	수출 2 BUTTON 141.8*43.5	1	1	1	1	1
C3379-240	SPACER SUPPORTS	S/S-9N(T)	8	4	4	4	4
R7204-070	POWER SWITCH	LIGHT COUNTRY(R19A) 10A/115V	2	2	2	2	2
R748A-020	POWER RELAY	PANASONIC HE1AN Q-DC12V 30A		1	1		1
R748A-030	POWER RELAY	PANASONIC HE2AN Q-DC12V 25A				1	
R7203-010	SWITCH PUSH	SP201-7D 125VAC1.5A	1	2	1	2	3
R7523-261	HARNESS SWITCH, T23	UL AWG18, T23	1		1		
R7523-270	HARNESS SWITCH, T49	UL AWG18, T49		1		1	

Code	Part name	Description	Glass					
			LRT-771G	LRT-1471G	LFT-771G	LFT-1471G	LRT-72TG	
R719A-071	HARNESS SWITCH, T72	UL AWG18, T72						1
R3734-030	DOOR LOCKING ASSY	ZDC, ZCR	1	2	1	2		3
SHELF								
R8433-301	ASSY PACKING SHELF L-23G	539*580, 3EA	1		1			
R8433-262	ASSY PACKING SHELF E LF-49G	609*580, 3EA		1		1		1
R3233-172	SHELF-RH(49G)	609*580, 3EA		1		1		1
R836A-300	ASSY SHELF PACKING MID	660*580, 3EA						1
R8429-022	ASSY SHELF CLIP	14 SET	1		1			
R8429-012	ASSY SHELF CLIP	26 SET		1		1		
R835A-010	ASSY SHELF CLIP	36 SET						1
R3373-630	SHELF STANDARD L	AL, T1.2*L930	4	8	4	8		12
DOOR								
R817B-250	Ass'y Door LF TM	669*1554 115V/20W		1				1
R817B-260	Ass'y Door RH TM	669*1554 115V/20W	1	1				2
R817B-280	Ass'y Door RH TM	669*1554 115V/20W			1	1		
R817B-270	Ass'y Door LF TM	669*1554 115V/20W				1		
R338A-070	GASKET DOOR TM-G	1520*635	1	2	1	2		3
R816A-590	ASSY CROSS BAR	115V LRT-1471G		1		1		2
R816A-600	ASSY CROSS BAR	115V						2
R343A-140	HINGE UPP	STS 304 T=4.0	1	2	1	2		2
R343A-110	HINGE UPP MID	STS304 T=4.0 92.7*52						1
R343A-121	ASSY HINGE BOTTOM LF/RH	ZNDC2 112*48*41.5	1	2	1	2		3
CASTOR BOX ASSY								
R3323-230	CASTOR MOVE	SPCC 4"	2	2	2	2		3
R3323-240	CASTOR STOP	SPCC 4"	2	2	2	2		3
R3074-030	SPANNER	3T, GI+ZN COATING	1	1	1	1		1
R397A-020	WASHER CASTER	GI T2*ID24*OD60	4	4	4	4		6

※ COMP SPEC PART-LIST

No.	Part Code	Spec	Item	Supplier's Compressor Application Model Names	
				Daeyeong E&B	Fresh Town
1	R7439-600	SC18CLX.2 (115v/60Hz)	Compressor Set (Total Price)	S49F, STM49F	
	R867A-080		Starting device		
2	R714A-010	SC18G (115v/60Hz)	Compressor Set (Total Price)	S72R,STM72R,S49RG	
	R867A-020		CSIR		
	R739A-060		410mf capacitor		
	R730A-090		SC18CLX.2 OLP		
	R344A-040		Protector holder		
	R325A-700		Cover		
3	R714A-020	GS26CLX (220v/60Hz)	Compressor Set (Total Price)	S72F,STM72F	
	R867A-030		cable		
4	R7439-110	SK1A1CL2W/DY3	Compressor Set (Total Price)	S23R,S23F, S23RG,S49R STM23R, STM49R	SPT-44,SPT-67,SUSS-48-12/18 SRCB-84/86/96/98(ME) USCF-27, USC-48/60/72 SUSS-/60-16/24/72-18/30 SBB-60-2B/2S, SBB-70-2B/2S SBB-90-3B/3S SBB-60-2BG/SG, SBB-70-2BG/SG SBB-90-3BG/3SG SBD-60-2B/2S, SBD-70-2B/S SBD-90-3B/3S
	R730A-110		PTC REALY(220MB3)		
	R727A-050		OVERLOAD PROTECTOR(795 RHB)		
	R3813-900		COVER REALY		
	R300A-020		GROMMET		
	R7549-260		RUNNING CAPACITOR 350V15 μ F		
	R7549-270		STSRTING CAPACITOR 160V 145 μ F		