



Commercial Upright Refrigerator & Freezer Service Manual



TABLE OF CONTENTS

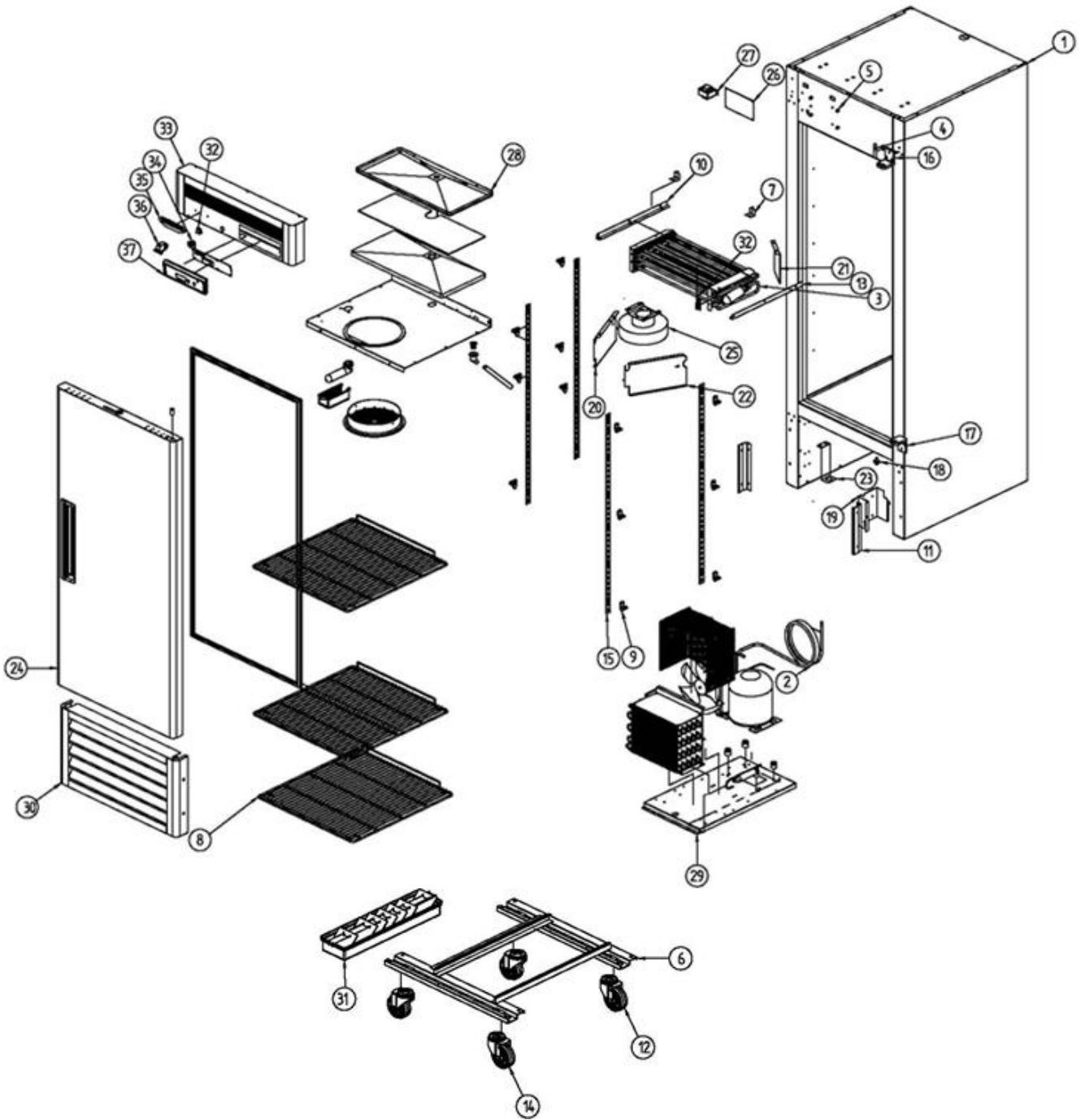
1. ASSEMBLY	4~15
2. PARTS	16~37
3. WIRING DIAGRAM	38~40
4. PART DETAILS	41~45
5. MAIN COMPONENTS	46~58
6. ELECTRONIC CONTROL INSTRUCTIONS	49~64
7. REPLACEMENT OF MAIN COMPONENTS	65~81
8. PART LIST	82~84



Safety cautions during service

- **When exchanging or repairing electric parts, pull the plug out before exchanging and repairing.**
- **When exchanging electric parts, use a rating part.**
 - Be sure to check marks such as MODEL name, rating voltage, rating currents, movement temperature etc.
- **During repairing, make sure wirings such as HARNESS, WIRE JOINT are sturdy**
so that it is free of danger due to disclosure of core wire.
 - Don't let it derail when certain strength is put on.
- **When repairing, take out the dust or foreign body (Housing part, wiring part, contact point part).**
 - It prevents danger of fire such as TRACKING, SHORT.
- **Check whether water has gone into the electric parts.**
 - When there are traces of water, exchange the parts or enact the TRACKING prevention device.
- **After repairing, check the assembly status of the parts.**
 - Keep the status as it was before the repairing. .
- **After checking the usage environment of the product and if the installation is unstable, change the usage location.**
 - For installations in places with moisture, water and for heat devices, prevent placing products near igniting materials etc.
- **When earthing is needed, earth it.**
 - For cases when electric leakage is concerned due to moisture or water, be sure to earth it.
- **For products that consumes power such as electric products, make sure numerous plugs are not used in a single outlet.**

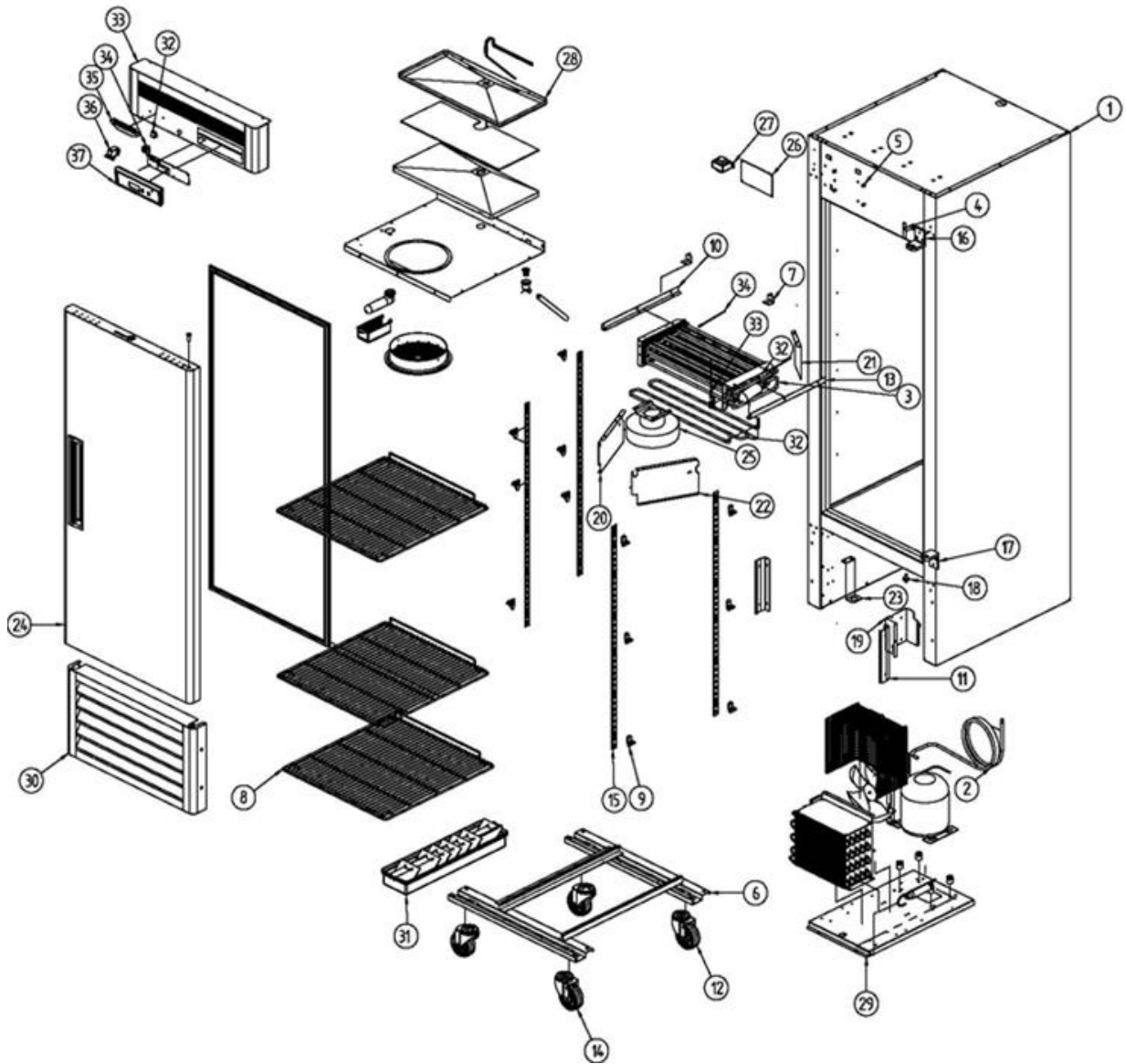
1.ASSEMBLY (LRB-771PC)



1-1. PART LIST : LRB-771PC

NO.	CODE-No	Title	Subject	Q'TY
1	R8279-210	ASSY CABI FOAM	R23	1
2	R2103-445	COMPRESSOR PULL OUT	CU-PIPE. OD9.52*T0.6*1716	1
3	R8613-355	EVAPORATOR ASSY	AL W330*D246*H105 BM23R	1
4	R3044-050	DOOR HINGE SHAFT UPP	SM45C. ϕ 12*51.5	1
5	R3084-010	SUPPORT PCB	NYLON NO.66. M4*8	4
6	R3212-231	FRAME ASSY 23	WELDING 600LT	1
7	R3314-282	TOP FRAME B/K	GI. T1.0*30*59.6	2
8	R371A-110	SHELF 23	MSWR10 W545*D580	3
9	R3313-151	SHELF CLIP	POM. WHT	12
10	R3313-271	EVAPORATOR B/K LF	STS304-2B. T1.0*408*37.5	1
11	R3313-291	GRILL BRACKET	GI. T1.0*219*78.1	2
12	R3323-230	CASTER 4"	4" MOVE	2
13	R3313-274	EVAP COVER B/K	STS304-2B, T1.0*408*35.5	1
14	R3323-230	CASTER 4"	4" STOP	2
15	R3373-630	SHELF STANDARD L	AL. T1.2*930	4
16	R3393-440	DOOR HINGE TOP	ZDC 2. T10*42*64*63	1
17	R3393-560	DOOR STOP HINGE BOTTOM	ZDC 2. T10*42*63	1
18	R3393-530	LOW SHAFT RH	ϕ 24*31	1
19	R3813-351	COVER CAPACITOR	GI. T0.8*255.2*135	1
20	R3853-110	EVAPORATOR AIR GUIDE LF	AL WHITE, T0.5*162*247	1
21	R3853-390	EVAPORATOR AIR GUIDE REAR	STS430-2B. T0.5*125*155	1
22	R3853-090	EVAPORATOR AIR GUIDE RH	AL WHITE, T0.5*162*247	1
23	R3854-210	EVAPORATOR DRAIN HOSE GUIDE	GI. T1.0*225*60	1
24	R8272-480	DOOR ASSY 23	R23	1
25	R8329-060	EVAPORATOR FAN MOTOR ASSY	115V 60HZ	1
26	R725A-312	MAIN PCB (115V, ϕ)	FR1 BM 115V ϕ 냉장 BMR115C-04	1
27	R7504-060	POWER TRANS	120V 60HZ. DT-1213	1
28	R8139-110	EVAPORATOR HOUSING ASSY	R23	1
29	R815A-010	ASSY UNIT	R23	1
30	R8182-081	GRILL ASSY		1
31	R8199-080	EVAPORATOR DRAIN WATER S ASSY	R/F23	1
32	R7204-070	POWER SWITCH	SL112A. 125V 15A	1
33	R8182-121	TOP GRILL ASSEMBLY	SL112A. 125V 15A	1
34	R3734-030	DOOR LOCKING ASSY	ZDC. ZCR	1
35	R5133-160	MASCOT	POLYURT T1.5*205*38	1
36	R7203-020	DOOR SWITCH	WHT. SP201R-9D	1
37	R8359-490	ASSY CONTROL BOARD 23	R/F 23	1
38	R7213-112	TEMP-DISPLAY SENSOR. REF	R23	1

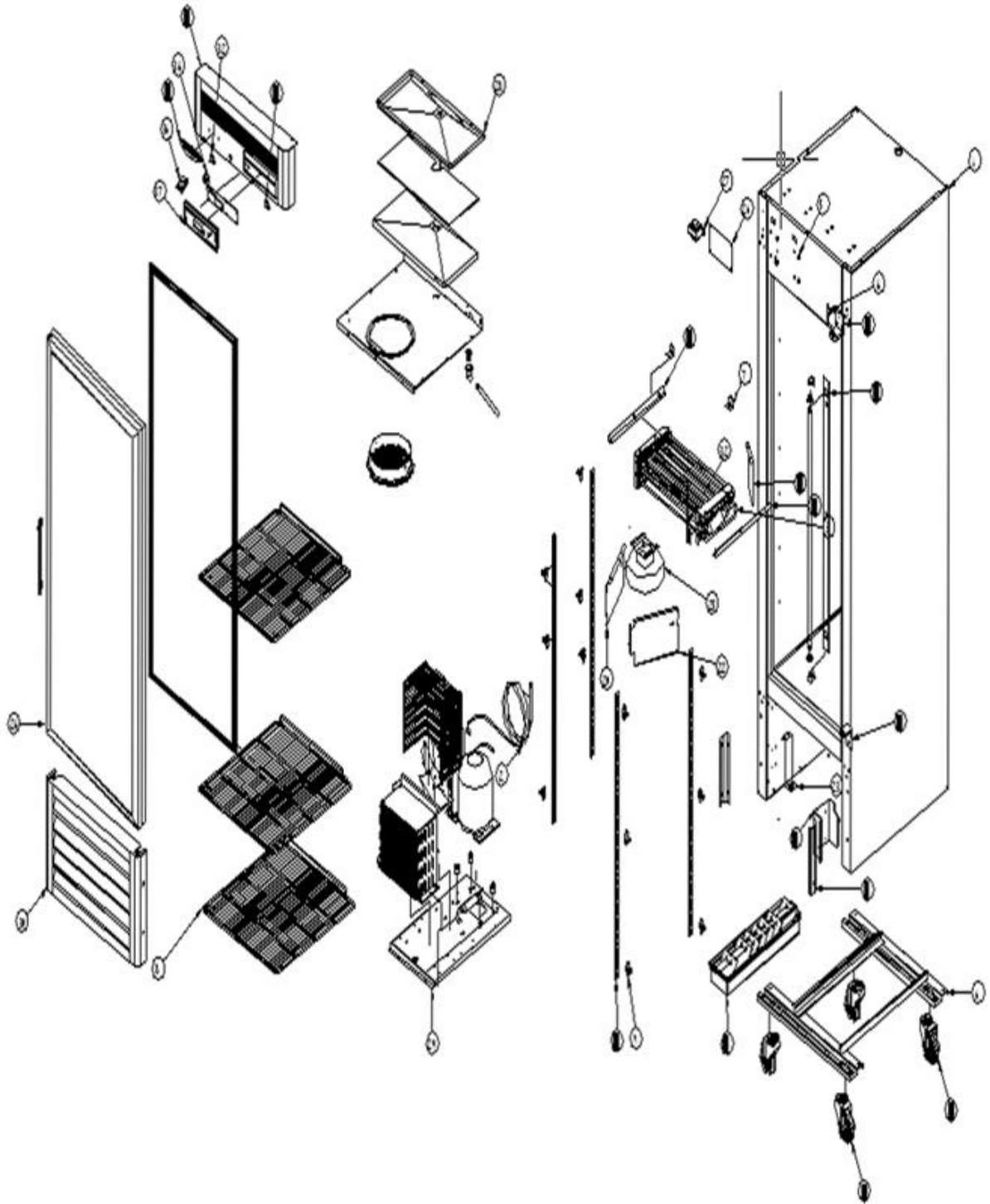
1. ASSEMBLY (LFB-771PC)



1-2. PART LIST : LFB-771PC

NO.	CODE-No	Title	Subject	Q'TY
1	R8279-100	ASSY CABI FOAM	F23	1
2	R2103-445	COMPRESSOR PULL OUT	CU-PIPE. OD9.52*T0.6*1716	1
3	R2263-038	EVAPORATOR	CU+AL. 23F	1
4	R3044-050	DOOR HINGE SHAFT UPP	SM45C. \varnothing 12*51.5	1
5	R3084-010	SUPPORT PCB	NYLON NO.66. M4*8	4
6	R3212-231	FRAME ASSY 23	WELDING 600LT	1
7	R3314-282	TOP FRAME B/K	GI. T1.0*30*59.6	2
8	R371A-110	SHELF 23	MSWR10. NSF	3
9	R3313-151	SHELF CLIP	POM. WHT	12
10	R3313-271	EVAPORATOR B/K LF	STS304-2B. T1.0*408*37.5	1
11	R315A-160	GRILL BRACKET	GI. T1.0*219*78.1	2
12	R3323-230	CASTER 4"	4" MOVE	2
13	R3313-274	EVAP COVER B/K	STS304-2B. T1.0*408*37.5	1
14	R3323-230	CASTER 4"	4" STOP	2
15	R3373-630	SHELF STANDARD L	AL. T1.2*930	4
16	R3393-440	DOOR HINGE TOP	ZDC 2. T10*42*64*63	1
17	R375A-010	STOPPER HINGE RH	POM(FW700S) 45.5*31*8	1
18	R3393-530	LOW SHAFT RH	\varnothing 24*31	1
19	R3813-351	COVER CAPACITOR	GI. T0.8*255.2*135	1
20	R3853-110	EVAPORATOR AIR GUIDE LF	STS443CT-2B. T0.5*161.8*269	1
21	R3853-390	EVAPORATOR AIR GUIDE REAR	STS430-2B. T0.5*125*155	1
22	R3853-090	EVAPORATOR AIR GUIDE RH	STS443CT. T0.5*161.8*269	1
23	R3854-210	EVAPORATOR DRAIN HOSE GUIDE	GI. T1.0*225*60	1
24	R8272-480	DOOR ASSY 23	R23	1
25	R8329-060	EVAPORATOR FAN MOTOR ASSY	115V 60HZ	1
26	R725A-321	MAIN PCB (115V. \varnothing)	FR1 BM 115V \varnothing 냉동 BMF115C-03	1
27	R7504-060	POWER TRANS	120V 60HZ. DT-1213	1
28	R8139-090	EVAPORATOR HOUSING ASSY	F23	1
29	R815A-020	ASSY UNIT	F23	1
30	R8182-081	GRILL ASSY		1
31	R8199-080	EVAPORATOR DRAIN WATER S ASSY	R/F23	1
32	R7204-070	POWER SWITCH	SL112A. 125V 15A	1
33	R8182-121	TOP GRILL ASSEMBLY	SL112A. 125V 15A	1
34	R3734-030	DOOR LOCKING ASSY	ZDC. ZCR	1
35	R5133-160	MASCOT	POLYURT T1.5*205*38	1
36	R7203-020	DOOR SWITCH	WHT. SP201R-9D	1
37	R8359-490	ASSY CONTROL BOARD 23	R/F 23	1
38	R7303-402	DEFROST HEATER	F23	1
39	R7213-082	TEMP-THERMISTOR,FRE	F23	1
40	R7213-210	D-SENSOR	F23	1
41	R7253-052	EVAPORATOR THERMAL FUSE	F23	1

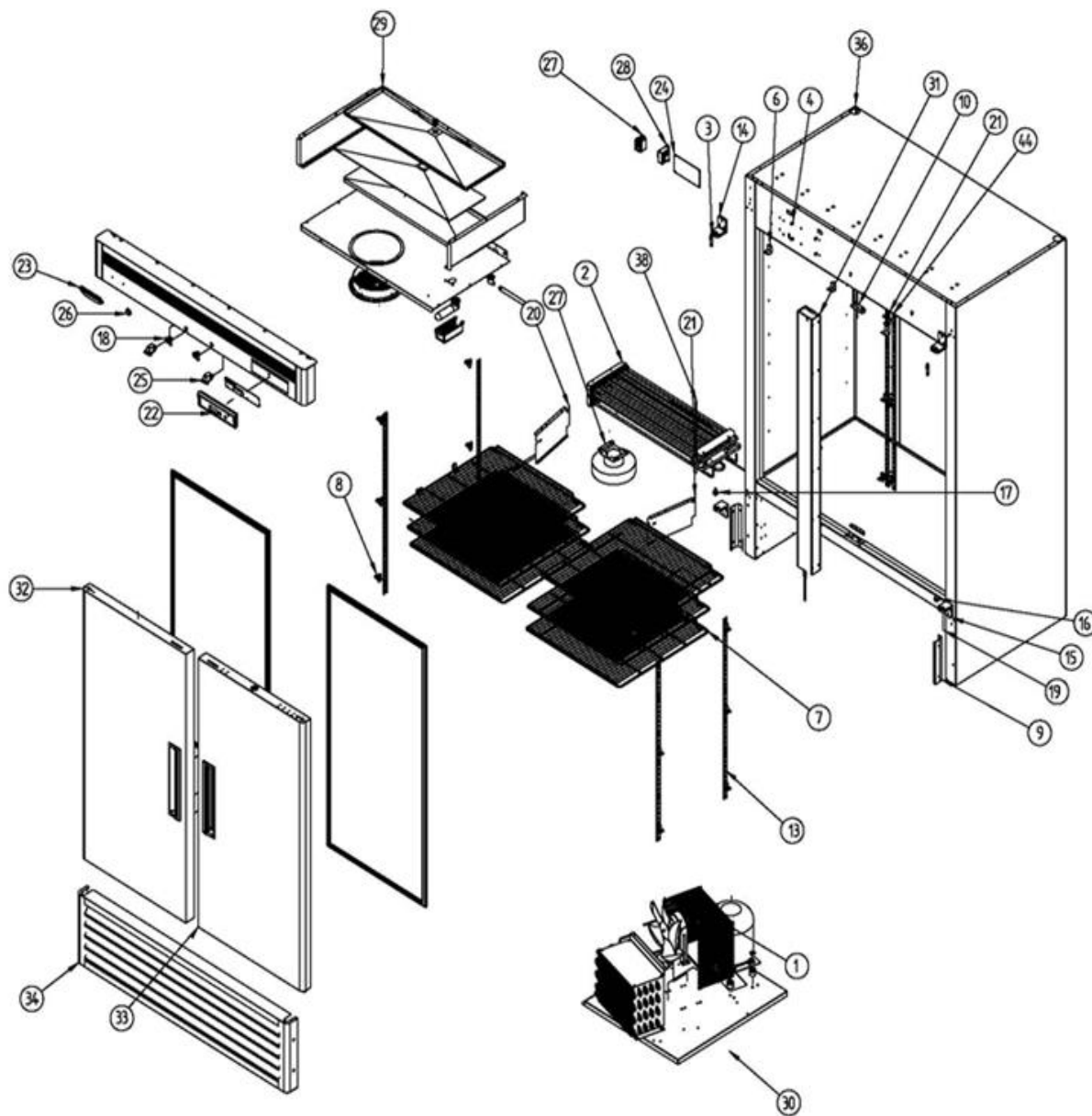
1. ASSEMBLY (LRB-771PCG)



1-2. PART LIST : LRB-771PCG

NO.	CODE-No	Title	Subject	Q'TY
1	R8279-100	ASSY CABI FOAM	F23	1
2	R2103-445	COMPRESSOR PULL OUT	CU-PIPE. OD9.52*T0.6*1716	1
3	R2263-038	EVAPORATOR	CU+AL. 23F	1
4	R3044-050	DOOR HINGE SHAFT UPP	SM45C. \varnothing 12*51.5	1
5	R3084-010	SUPPORT PCB	NYLON NO.66. M4*8	4
6	R3212-231	FRAME ASSY 23	WELDING 600LT	1
7	R3314-282	TOP FRAME B/K	Gl. T1.0*30*59.6	2
8	R3233-182	SHELF 23	MSWR10. NSF	3
9	R8429-022	ASSY SHELF CLIP	POM. WHT 14SET	12
10	R3313-271	EVAPORATOR B/K LF	STS304-2B. T1.0*408*37.5	1
11	R315A-160	BRACKET GRILLE	Gl. T1.0*219*78.1	2
12	R3323-230	CASTER 4"	4" MOVE	2
13	R3313-440	EVAP COVER B/K RH	STS304-2B. T1.0*408*37.5	1
14	R3323-240	CASTER 4"	4" STOP	2
15	R3373-630	SHELF STANDARD L	AL. T1.2*930	4
16	R3393-440	DOOR HINGE TOP	ZDC 2. T10*42*64*63	1
17	R3393-343	DOOR HINGE BOTTOM RH	T10*48*65.6*63 ZNDC2	1
18	R3393-530	LOW SHAFT RH	\varnothing 24*31	1
19	R3813-351	COVER CAPACITOR	Gl. T0.8*255.2*135	1
20	R3853-110	EVAPORATOR AIR GUIDE LF	STS443CT-2B. T0.5*161.8*269	1
21	R3853-390	EVAPORATOR AIR GUIDE REAR	STS430-2B. T0.5*125*155	1
22	R3853-090	EVAPORATOR AIR GUIDE RH	STS443CT. T0.5*161.8*269	1
23	R3854-210	EVAPORATOR DRAIN HOSE GUIDE	Gl. T1.0*225*60	1
24	R8272-480	DOOR ASSY 23	R23	1
25	R8329-060	EVAPORATOR FAN MOTOR ASSY	115V 60HZ	1
26	R725A-312	MAIN PCB (115. °F)	115V. FRE	1
27	R7504-060	POWER TRANS	120V 60HZ. DT-1213	1
28	R8139-151	EVAPORATOR HOUSING ASSY	F23	1
29	R815A-050	ASSY UNIT	F23	1
30	R8182-081	GRILL ASSY		1
31	R8199-080	EVAPORATOR DRAIN WATER S ASSY	R/F23	1
32	R7204-070	POWER SWITCH	SL112A. 125V 15A	1
33	R8182-121	TOP GRILL ASSEMBLY	SL112A. 125V 15A	1
34	R3734-030	DOOR LOCKING ASSY	ZDC. ZCR	1
35	R5133-160	MASCOT	POLYURT T1.5*205*38	1
36	R7203-020	DOOR SWITCH	WHT. SP201R-9D	1
37	R8359-490	ASSY CONTROL BOARD 23	R/F 23	1
38	R7303-402	DEFROST HEATER	F23	1
39	R7213-082	TEMP-THERMISTOR,FRE	F23	1
40	R7213-210	D-SENSOR	F23	1
41	R7259-070	EVAPORATOR THERMAL FUSE	F23	1

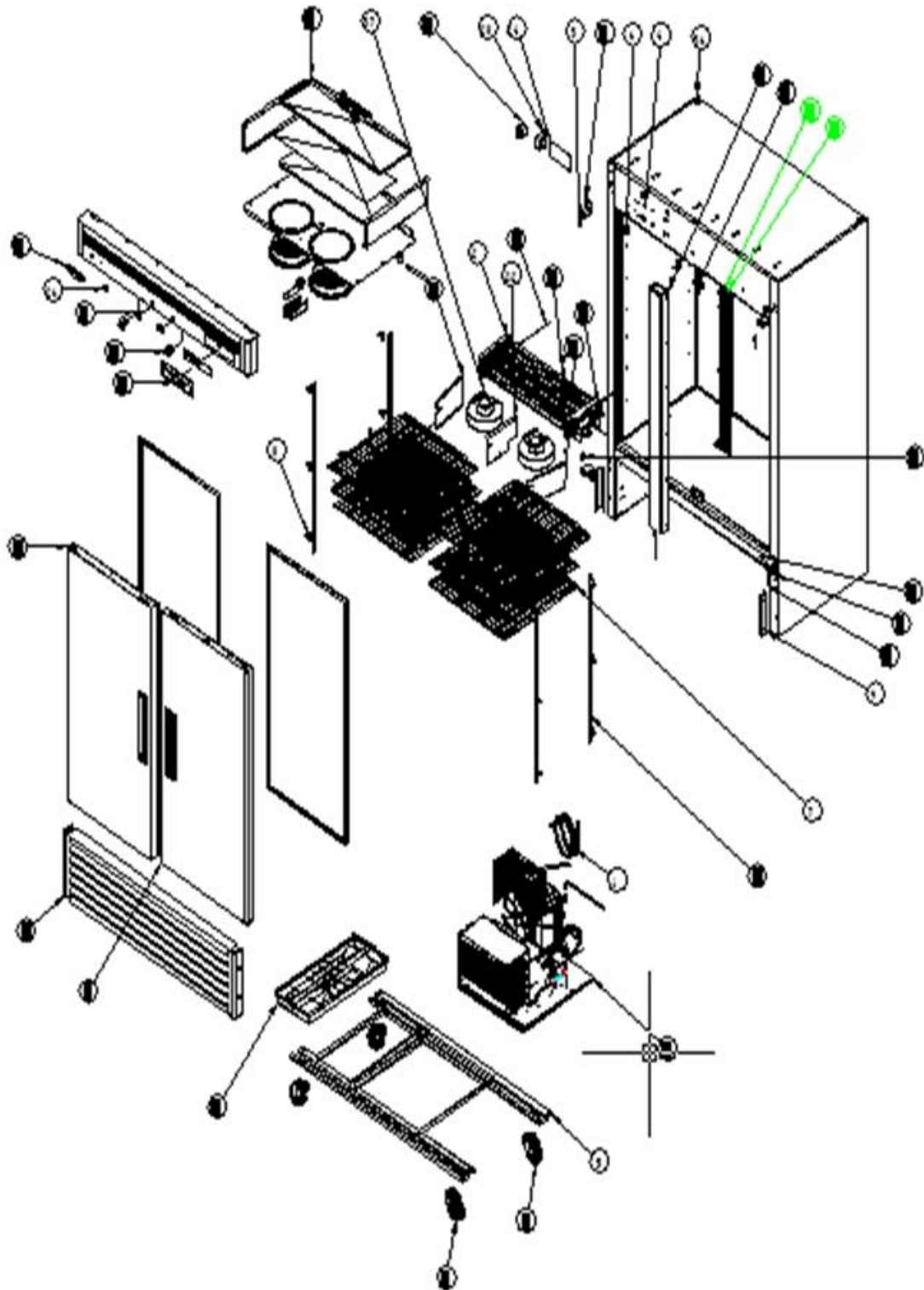
1. ASSEMBLY (LRB-1471PC)



1-2. PART LIST : LRB-1471PC

NO.	CODE-No	Title	Subject	Q'TY
1	R2103-942	COMPRESSOR PULL OUT	CU-PIPE. T0.7*OD9.52*1930	1
2	R8163-345	EVAPORATOR ASSY	AL W506*D246*H105 BM49R	1
3	R3393-313	DOOR HINGE TOP	T10*48*65.6*63 ZNDC2	2
4	R3084-010	SUPPORT PCB	NYLON NO.66. M4*8	4
5	R3212-250	FRAME ASSY (49)	717.5*1408	1
6	R3214-282	TOP FRAME B/K	GI. T1.0*30*59.6	3
7	R3233-210	ASSY SHELF-49	609*580	6
8	R8429-012	ASSY SHELF CLIP	POM. WHT 26SET	20
8	R315A-160	GRILL BRACKET	GI T1.0*10.6*102.7	2
9	R3314-241	SUPPORT FRONT B/K	STS304-2B. T1.0*80*34	2
10	R3323-230	CASTER 4"	4" MOVE	2
11	R3323-240	CASTER 4"	4" STOP	2
12	R3373-630	SHELF STANDARD L	AL. T1.2*930	6
13	R375A-010	STOPPER HINGE RH	AL. T10*42*64*63	2
14	R375A-020	STOPPER HINGE LF	ZDC 2. T10*42*63	2
15	R3393-530	LOW SHAFT RH	∅24*31	1
16	R3393-550	LOW SHAFT LF	∅24*31	1
17	R3734-030	DOOR LOCKING ASSY	ZDC. ZCR	2
18	R3813-351	COVER CAPACITOR	GI. T0.8*255.2*135	1
19	R3853-120	EVAPORATOR AIR GUIDE RH	AL WHITE, T0.5*162*269	1
20	R3853-210	EVAPORATOR AIR GUIDE LF	AL WHITE, T0.5*162*269	1
21	R8359-510	ASSY CONTROL BOARD	BM 49 °C TYPE SOLID	1
22	R5133-160	MASCOT	POLYURT T1.5*205*38	1
23	R725A-312	MAIN PCB (115V. °F)	REF	1
24	R7203-020	DOOR SWITCH	WHT. SP201R-9D	2
25	R7204-070	POWER SWITCH	SL112A. 125V 15A	1
26	R8329-060	EVAPORATOR FAN MOTOR ASSY	UL. 115V 60HZ	1
27	R7504-060	POWER TRANS	120V 60HZ. DT-1213	1
28	R8139-140	EVAPORATOR HOUSING ASSY		1
29	R815A-030	ASSY UNIT	1220LE 115(SK1A1C-L2W)	1
30	R8163-031	CROSS BAR SOLID ASSY	R49	1
31	R817A-130	DOOR ASSY LF (49)	R/F49	1
32	R817A-140	DOOR ASSY RH (49)	R/F49	1
33	R818A-300	ASSY GRILL BOTTOM_49	R/F49	1
34	R8199-070	EVAPORATOR DRAIN WATER-L ASSY	R/F49	1
35	R8279-200	CABI FOAM ASSY 49	R49	1
36	R8329-060	EVAPORATOR FAN MOTOR ASSY	115V 60HZ	1
37	R7213-112	TEMP-DISPLAY SENSOR. REF	49R	1

1. ASSEMBLY (LFB-1471PC)

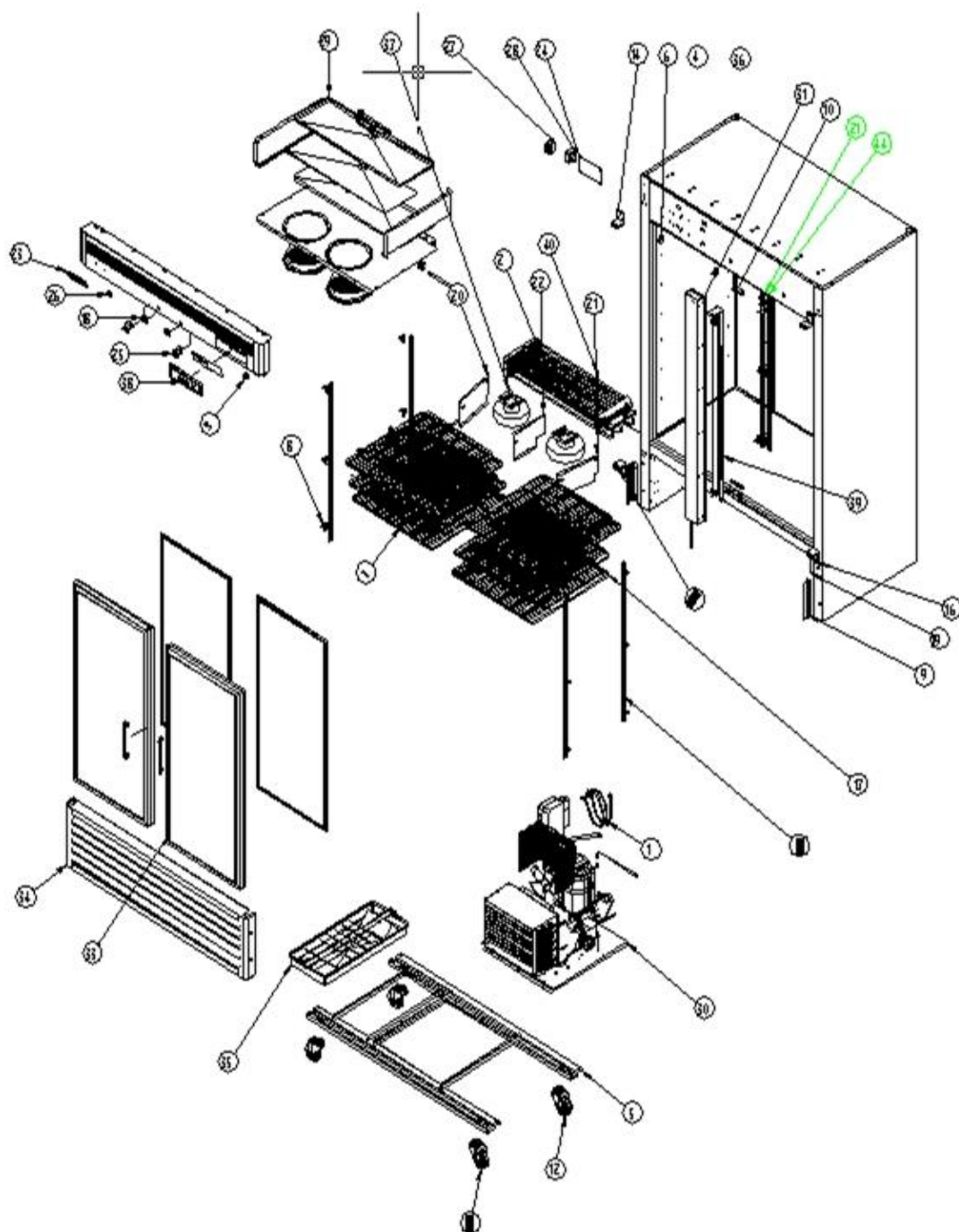


1-3. PART LIST : LFB-1471PC

1-4.

NO.	CODE-No	Title	Subject	Q'TY
1	R2113-580	COMPRESSOR PULL OUT. A	CU-PIPE OD9.52*T0.7*1900	1
2	R2263-048	EVAPORATOR	F49	1
3	R370A-030	SHAFT TOP HINGE	SUM24L ϕ 15*45L	2
4	R3084-010	SUPPORT PCB	NYLON NO.66. M4*8	4
5	R3212-310	FRAME ASSY 49F	717.5*1408	1
6	R3214-282	TOP FRAME B/K	GI. T1.0*30*59.6	3
7	R3233-210	ASSY SHELF 49	609*580	6
	R8429-012	ASSY SHELF CLIP	POM. WHT, 26SET	20
8	R315A-160	GRILL BRACKET	GI T1.0*10.6*102.7	2
9	R3314-241	SUPPORT FRONT B/K	STS304-2B. T1.0*80*34	2
10	R3323-230	CASTER 4"	4" MOVE	2
11	R3323-240	CASTER 4"	4" STOP	2
12	R3373-630	SHELF STANDARD L	AL. T1.2*930	6
13	R828A-065	ASSY HINGE TOP RH	STS304 T=4.0	2
14	R828A-055	ASSY HINGE TOP LF	STS304 T=4.0	
15	R828A-022	ASSY HINGE BOTTOM RH	STS304 T=4.0	2
17	R828A-032	ASSY HINGE BOTTOM LF	STS304 T=4.0	
18	R3393-530	LOW SHAFT RH	ϕ 24*31	1
19	R3393-550	LOW SHAFT LF	ϕ 24*31	1
20	R3734-030	DOOR LOCKING ASSY	ZDC. ZCR	2
21	R3813-351	COVER CAPACITOR	GI. T0.8*255.2*135	1
22	R3853-110	EVAPORATOR AIR GUIDE LF	AL WHITE, T0.5*162*247	1
23	R3853-090	EVAPORATOR AIR GUIDE RH	AL WHITE, T0.5*162*247	1
24	R3853-101	EVAPORATOR AIR GUIDE MID	AL WHITE, T0.5*161.8*243	1
25	R5133-160	MASCOT	POLYURT T1.5*205*38	1
26	R725B-250	PCB MAIN (115V CELSIUS)	FR1 BM 115V $^{\circ}$ C 냉동 BMR115C-01	1
27	R7203-020	DOOR SWITCH	WHT. SP201R-9D	2
28	R7204-070	POWER SWITCH	SL112A. 125V 15A	1
29	R748A-020	POWER RELAY	PANASONIC HE1AN-Q-DC-12V 30A	1
30	R7504-060	POWER TRANS	120V 60HZ. DT-1213	1
31	R8139-100	EVAPORATOR HOUSING ASSY		1
32	R8159-940	ASSY UNIT	F49. 115V. FRE	1
33	R8163-021	CROSS BAR SOLID ASSY	F49	1
34	R8272-490	DOOR ASSY LF (49)	R/F49	1
35	R8272-500	DOOR ASSY RH (49)	R/F49	1
36	R818A-300	BOTTOM GRILL ASSY	R/F49	1
37	R8199-070	EVAPORATOR DRAIN WATER-L ASSY	R/F49	1
38	R8279-090	CABI FOAM ASSY 49	F49	1
39	R8329-060	EVAPORATOR FAN MOTOR ASSY	115V 60HZ	2
40	R8359-510	ASSY CONTROL BOARD 49	R/F49	1
41	R7213-210	D-SENSOR	F23	1
42	R7259-070	EVAPORATOR THERMAL FUSE	F23	1
43	R7253-052	TEMP-THERMISTOR. FRE	MAX 72 \pm 5 $^{\circ}$ C	1

1. ASSEMBLY (LRB-1471PCG)

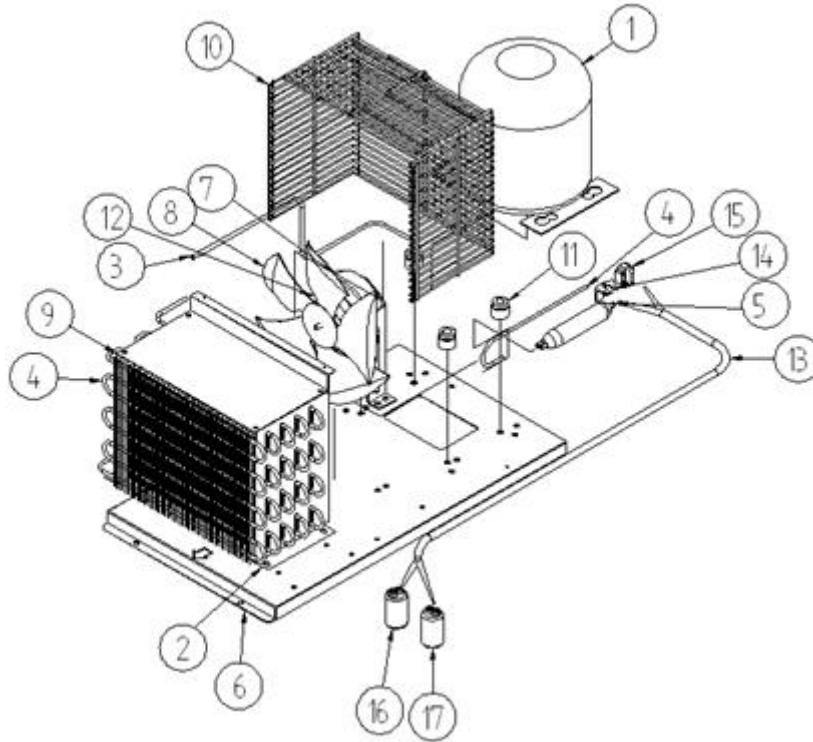


1-5. PART LIST : LRB-1471PCG

NO.	CODE-No	Title	Subject	Q'TY
1	R2263-048	EVAPORATOR	F49	1
2	R370A-030	SHAFT TOP HINGE	SUM24L \varnothing 15*45L	2
3	R3084-010	SUPPORT PCB	NYLON NO.66. M4*8	4
4	R3212-310	FRAME ASSY 49F	717.5*1408	1
5	R3214-282	TOP FRAME B/K	GI. T1.0*30*59.6	3
6	R3233-162	SHELF-LF(49G)	LF(49G) 609*580	6
7	R3233-172	SHELF-RH(49G)	RH(49G) 609*580	
	R8429-012	ASSY SHELF CLIP	POM. WHT, 26SET	20
8	R315A-160	GRILL BRACKET	GI T1.0*10.6*102.7	2
9	R3314-241	SUPPORT FRONT B/K	STS304-2B. T1.0*80*34	2
10	R3323-230	CASTER 4"	4" MOVE	2
11	R3323-240	CASTER 4"	4" STOP	2
12	R3373-630	SHELF STANDARD L	AL. T1.2*930	6
13	R3393-313	DOOR HINGE TOP	T10*48*65.6*63 ZNDC2	2
14	R3393-343	DOOR HINGE BOTTOM RH	T10*48*65.6*63 ZNDC2	
15	R3393-353	DOOR HINGE BOTTOM LF	T10*48*65.6*63 ZNDC2	2
17	R3393-530	LOW SHAFT RH	\varnothing 24*31	1
18	R3393-550	LOW SHAFT LF	\varnothing 24*31	1
19	R3734-030	DOOR LOCKING ASSY	ZDC. ZCR	2
20	R3813-351	COVER CAPACITOR	GI. T0.8*255.2*135	1
21	R3853-110	EVAPORATOR AIR GUIDE LF	AL WHITE, T0.5*162*247	1
22	R3853-090	EVAPORATOR AIR GUIDE RH	AL WHITE, T0.5*162*247	1
23	R3853-101	EVAPORATOR AIR GUIDE MID	AL WHITE, T0.5*161.8*243	1
24	R5133-160	MASCOT	POLYURT T1.5*205*38	1
25	R725B-242	PCB MAIN (115V CELSIUS)	FR1 BM 115V $^{\circ}$ C 냉동 BMR115C-01	1
26	R7203-020	DOOR SWITCH	WHT. SP201R-9D	2
27	R7204-070	POWER SWITCH	SL112A. 125V 15A	1
28	R748A-020	POWER RELAY	PANASONIC HE1AN-Q-DC-12V 30A	1
29	R7504-060	POWER TRANS	120V 60HZ. DT-1213	1
30	R8139-140	EVAPORATOR HOUSING ASSY		1
31	R815A-310	ASSY UNIT	F49. 115V. FRE	1
32	R8163-021	CROSS BAR SOLID ASSY	F49	1
33	R817B-070	ASSY DOOR GLASS LF_115V	669* 115V/20W 661 Ω BM 23/49RG	1
34	R817B-080	ASSY DOOR GLASS RH_115V	669* 115V/20W 661 Ω BM 23/49RG	1
35	R818A-560	BOTTOM GRILL ASSY	R/F49	1
36	R8199-070	EVAPORATOR DRAIN WATER-L ASSY	R/F49	1
37	R8279-090	CABI FOAM ASSY 49	F49	1
38	R8329-060	EVAPORATOR FAN MOTOR ASSY	115V 60HZ	2
39	R8359-510	ASSY CONTROL BOARD 49	R/F49	1
40	R7213-210	D-SENSOR	F23	1
41	R7213-112	TEMP-THERMISTOR. FRE	MAX 72 \pm 5 $^{\circ}$ C	1

2. PARTS

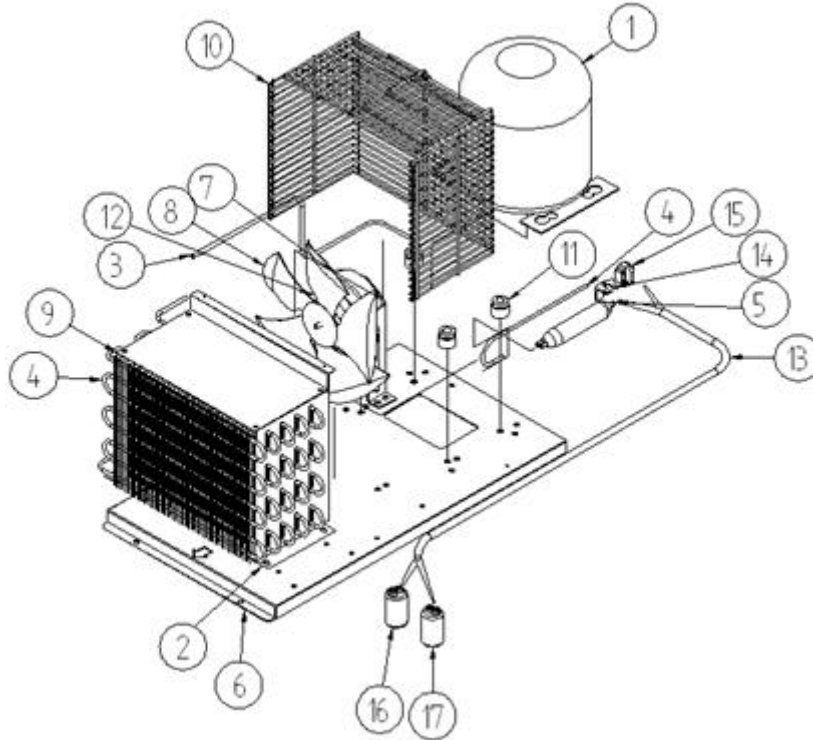
2-1. UNIT ASSY (LRB-771PC)



NO.	CODE-No	Title	Subject	Q'TY
1	R7439-110	COMPRESSOR	SK1A1C-L2W	1
2	R2202-033	CONDENSER COIL	SWST. ϕ 4.76*13190	1
3	R2114-350	DICHARGE PIPE	CU. T0.6* ϕ 6.35*130	1
4	R2104-421	CONDENSER DRYER PIPE	CU. ϕ 4.76*321	1
5	R2183-032	DRYER (R-134A. 36G)	36G	1
6	R3202-386	BASE COMP	GI. T1.2*359*605	1
7	R3313-260	CONDENSER FAN MOTOR BRACKET	GI	1
8	R3723-070	CONDENSER FAN BLADE	AL. ϕ 225. 9" CCW	1
9	R3813-121	CONDENSER COIL COVER	GI. T0.8*265*187	1
10	R3813-150	CONDENSER FAN COVER WIRE	MSWR10. ϕ 2.5	1
11	R3884-060	GROMMET	NY-6 . ϕ 12.6*25	4
12	R7423-311	CONDENSER FAN MOTOR	115V 60HZ. DAI-8204DYCA. CW	1
13	R719A-680	HARNES RELAY B	UL	1
14	R7519-070	O.L.P	4TM783SHBZZ-52	1
15	R7539-190	POSISTOR	SO68-CSR	1
16	R7549-260	RUNNING CAPACITOR	230VAC 50/60HZ 10 μ F	1
17	R7549-270	CAPACITOR STARTING	200VAC 100 μ F	1

2. PARTS

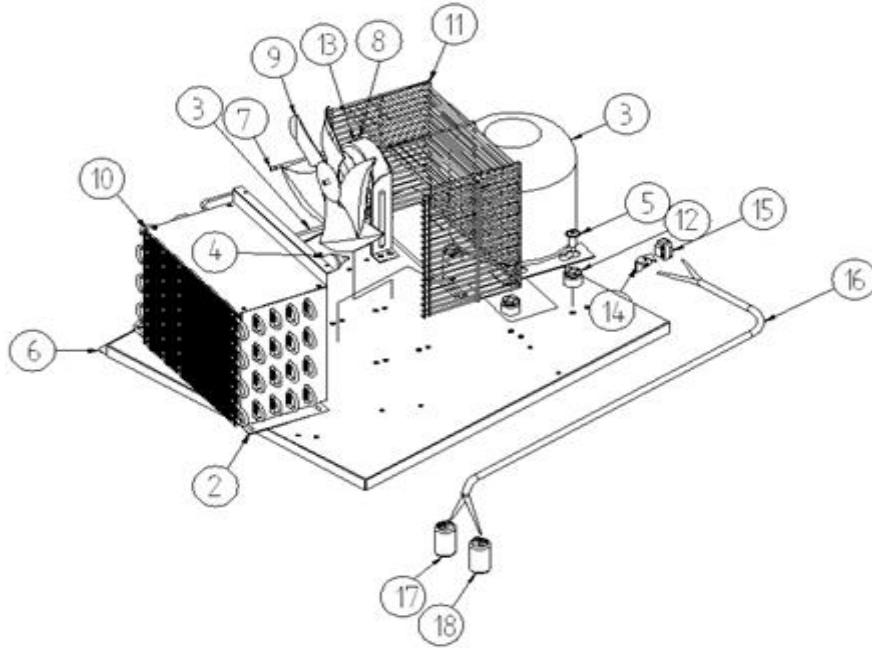
2-1. UNIT ASSY (LFB-771PC)



NO.	CODE-No	Title	Subject	Q'TY
1	R7439-110	COMPRESSOR	SK1A1C-L2W	1
2	R2202-033	CONDENSER COIL	SWST. ϕ 4.76*13190	1
3	R2104-492	COMPRESSOR PIPE	CU. T0.7* ϕ 6.35*462	1
4	R319A-420	PIPE DRYER INLET BM	CU OD4.76*T0.7*L456.2	1
5	R2183-032	DRYER (R-134A. 36G)	36G	1
6	R3202-385	BASE COMP	GI. T1.2*359*605	1
7	R3313-260	CONDENSER FAN MOTOR BRACKET	GI	1
8	R3729-050	CONDENSER FAN MOTOR BLADE	115V FAN MOTOR AL 9" C.W	1
9	R3813-121	CONDENSER COIL COVER	GI. T0.8*265*187	1
10	R3813-150	CONDENSER FAN COVER WIRE	MSWR10. ϕ 2.5	1
11	R3884-062	GROMMET	PP(DS-5) OD ϕ 50*25	4
12	R7423-311	CONDENSER FAN MOTOR	115V 60HZ. DAI-8204DYCA. CW	1
13	R719A-680	HARNESS RELAY B23 R/F	115V NEW LED LAMP TYPE	1
14	R7519-070	O.L.P	4TM795TFB-53	1
15	R7539-110	PTC RELAY	J531Q34E220M3503	1
16	R7549-270	CAPACITOR RUNNING	250VAC 12 μ F. 2P	1
17	R7549-270	CAPACITOR STARTING	125VAC 125 μ F. 2P	1

2. PARTS

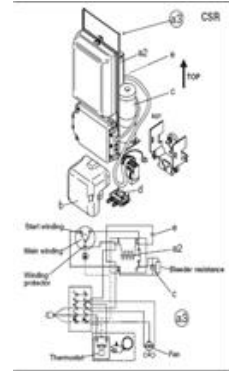
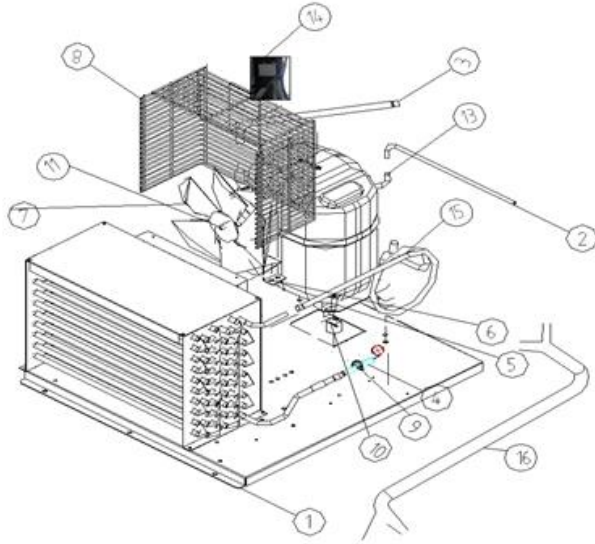
2-1. UNIT ASSY (LRB-1471PC)



NO.	CODE-No	Title	Subject	Q'TY
1	R7439-110	COMPRESSOR	SK1A1C-L2W	1
2	R2202-033	CONDENSER COIL	SWST. \varnothing 4.76*13190	1
3	R2104-421	CONDENSER DRYER PIPE	CU. \varnothing 4.76*321	1
4	R2183-032	DRYER (R-134A. 36G)	36G	1
5	R3004-270	COMPRESSOR BOLT	STS. M6*30Y. \varnothing 10	4
6	R3202-422	BASE COMP	GI. T1.2*645*574	1
7	R2103-930	CONDENSER PIPE	T0.7*OD4.86*654. CU	1
8	R3313-260	CONDENSER FAN MOTOR BRACKET	GI	1
9	R3723-050	CONDENSER FAN MOTOR BLADE	115V FAN MOTOR AL 9" C.W	1
10	R3813-121	CONDENSER COIL COVER	GI. T0.8*265*187	1
11	R3813-150	CONDENSER FAN COVER WIRE	MSWR10. \varnothing 2.5	1
12	R300A-020	GROMMET COMP	NR-RUBBER. BLK	4
13	R7423-311	CONDENSER FAN MOTOR	115V 60HZ. DAI-8204DYCA. CW	1
14	R719A-690	HARNESS RELAY B49R	115V NEW LED LAMP TYPE	1
15	R7519-070	O.L.P	4TM795TFB-53	1
16	R7539-110	PTC RELAY	J531Q34E220M3503	1
17	R7543-260	CAPACITOR RUNNING	250VAC 12 μ F. 2P	1
18	R7543-270	CAPACITOR STARTING	125VAC 125 μ F. 2P	1

2. PARTS

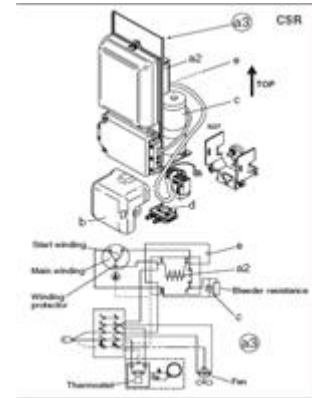
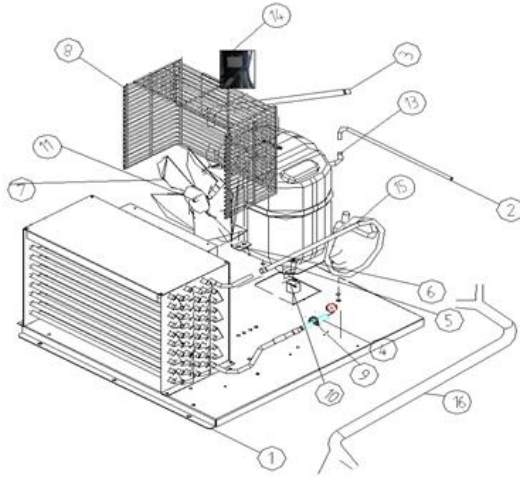
2-1. UNIT ASSY (LRB-1471PCG)



NO.	CODE-No	Title	Subject	Q'TY
1	R3202-512	BASE COMP	GI. T1.2*555*614	1
2	R2104-492	COMPRESSOR PIPE	T0.7* Ø6.35*462	1
3	R2113-580	COMPRESSOR PULL OUT		1
4	R8623-030	HARD CORE DRIER ASSY	UL	1
5	R3004-270	COMPRESSOR BOLT	STS. M6*30Y. Ø10	4
6	R3313-260	CONDENSER FAN MOTOR BRACKET	GI	1
7	R3723-050	CONDENSER FAN MOTOR BLADE	115V FAN MOTOR AL 9" C.W	1
8	R3813-160	CONDENSER FAN COVER WIRE	MSWR. Ø2.5	1
9	R3834-350	BAND HARD DRYER	0.6*30	1
10	R3884-062	GROMMET	PP(DS-5) OD Ø50*25	4
11	R7423-311	CONDENSER FAN MOTOR	115V60HZ DAI-8204DYCA CW. 절연	1
12	R714A-010	COMPRESSOR	SC18G	1
13		CAPACITOR	SC18CLX.2 115V 60HZ	1
14	R867A-020	ASSY RELAY BOX	SC18G 115V60HZ 117-7053 72R	1
15	R2103-474	CONDENSER CONNECTOR	UL. OD9.52*T0.7*795	1
16	R719A-730	HARNESS RELAY	UL	1

2. PARTS

2-1. UNIT ASSY (LFB-1471PC)

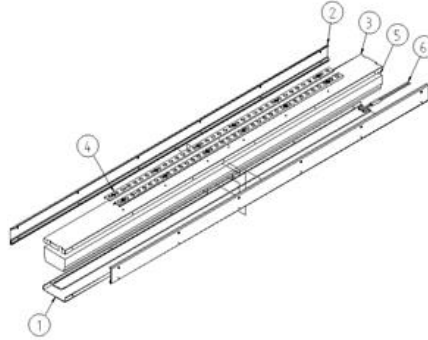


NO.	CODE-No	Title	Subject	Q'TY
1	R3313-461	BASE COMP B/K	SBHGI, T1.0*33.5*501	1
2	R2104-460	COMPRESSOR CHARGING PIPE	CU-PIPE. OD6.35*T0.7*200	1
3	R2113-580	COMPRESSOR PULL OUT		1
4	R8623-030	HARD CORE DRIER ASSY	UL	1
5	R3004-270	COMPRESSOR BOLT	STS. M6*30Y. ϕ 10	4
6	R3313-260	CONDENSER FAN MOTOR BRACKET	GI	1
7	R3723-050	CONDENSER FAN MOTOR BLADE	115V FAN MOTOR AL 9" C.W	1
8	R3813-160	CONDENSER FAN COVER WIRE	MSWR. ϕ 2.5	1
9	R3834-350	BAND HARD DRYER	0.6*30	1
10	R300A-020	GROMMET COMP	NR-RUBBER. BLK	4
11	R7423-311	CONDENSER FAN MOTOR	UL	1
12	R7439-600	COMPRESSOR	SC18CLX2	1
13	R7549-280	CAPACITOR STARTING	117U5043 125~165V/410 μ F	1
14	R7549-290	CAPACITOR RUNNING	117-7114 280V/23.5 μ F SC18CLX.2	1
15	R867A-010	RELAY BOX (SC18CLX.2)	115V 117-7045	1
16	R2103-474	CONDENSER CONNECTOR	UL. OD9.52*T0.7*795	1
17	R719A-700	HARNESS RELAY	115V NEW LED LAMP TYPE	1

2. PARTS

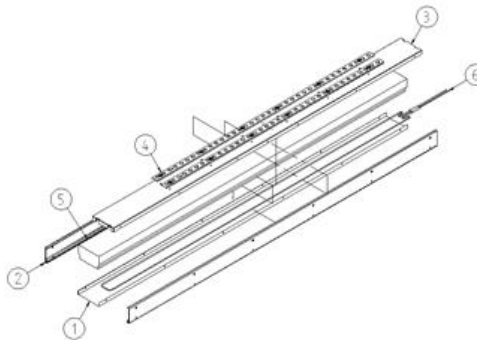
2-2. CROSS BAR ASSY

MODEL : LRB-1471PC/1471PCG



NO.	CODE-No	Title	Subject	Q'TY
1	R359B-431	PLATE CROSS BAR FRONT(BM 49/72)	STS430#4 T0.5 138.4*1323.9	1
2	R315A-361	BRACKET CROSS BAR	STS443CT-2B T0.8*80*76.7	2
3	R359B-441	PLATE CROSS BAR REAR(BM 49/72)	STS443CT-2B T0.5*138.4*1323.9	1
4	R3373-630	SHELF STANDARD L	AL. T1.2*930	2
5	R1143-191	CROSS BAR INSUL	EPS 40 배 . T44*87*1134.4	1
6	R7303-126	HEATER-CORD CROSS BAR	PVC 115V 30W L2800 BM 49R	1

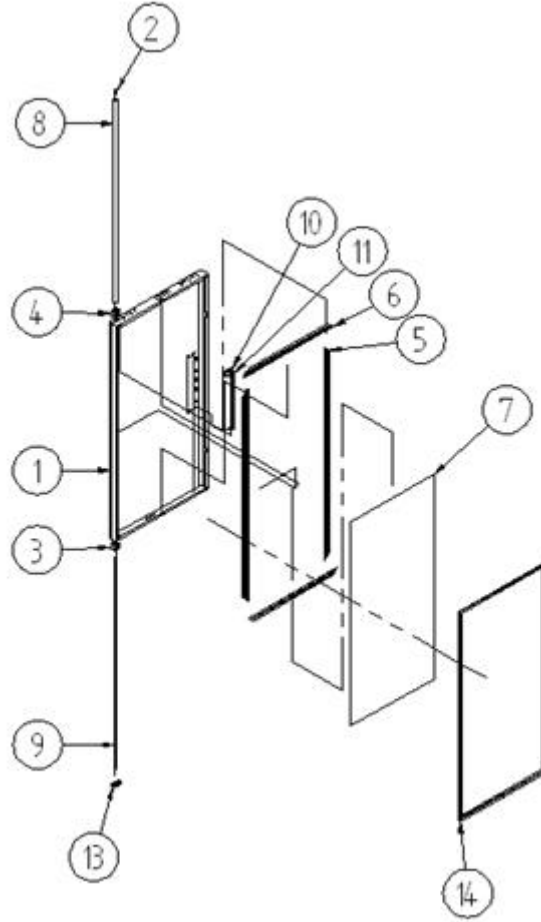
MODEL : LRB-1471PCG



NO.	CODE-No	Title	Subject	Q'TY
1	R359B-431	PLATE CROSS BAR FRONT	STS430#4 T0.5 138.4*1323.9	1
2	R3903-264	GASKET CROSS BAR	T2*56.5	2
3	R359B-482	PLATE CROSS BAR REAR	STS443CT-2B T0.5*138.4*1323.9	1
4	R3373-630	SHELF STANDARD L	AL. T1.2*930	2
5	R1143-191	CROSS BAR INSUL	EPS 40 배 . T44*87*1134.4	1
6	R7303-126	HEATER CORD CROSS BAR	PVC 115V 30W L2800 BM 49R	1

2. PARTS

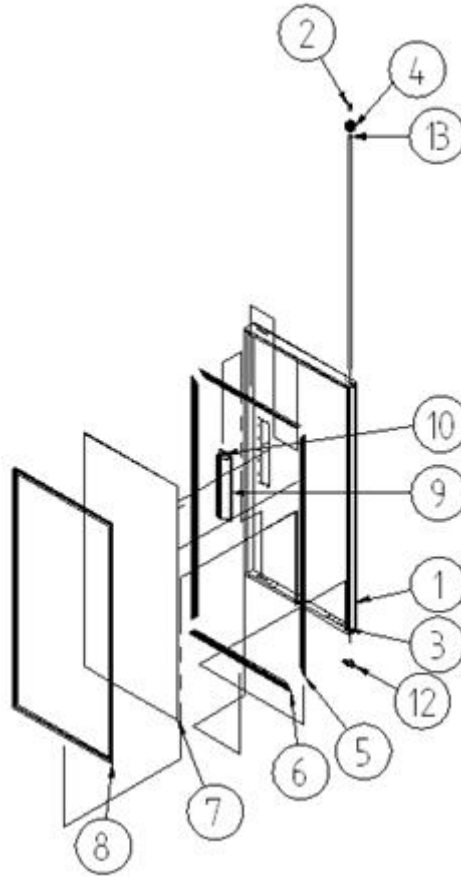
2-3. DOOR ASSY (LRB-771PC, LFB-771P)



NO.	CODE-No	Title	Subject	Q'TY
1	R359A-411	PLATE DOOR	STS430 T0.5*1514.3*829.6	1
2	R3864-030	DOOR HINGE BUSHING	BS. \varnothing 16*25.3*1360	1
3	R3883-051	DOOR HINGE BLOCK UPP	NY-66 (R620)	1
4	R3883-041	DOOR HINGE BLOCK LOW	NY-66 (R620)	1
5	R368A-050	SASH DOOR S	ABS(RS800M BLACK) L=643	2
6	R368A-260	SASH DOOR L	ABS L=1386	2
7	R359A-400	PLATE DOOR REAR BM	STS443CT T0.4*1331*588	1
8	R2114-030	DOOR HINGE SPRING GUIDE	PVC. T2.0. L=1308	1
9	R3514-010	DOOR HINGE SPRING	PWR67A. \varnothing 3*1373	1
10	R4122-272	HANDLE BODY	UL94-HB ABS BLK	1
11	R4122-263	HANDLE GUARD	UL94-HB ABS	1
13	R3393-520	LOW BUSHING RH	34*66	1
14	R338A-040	DOOR GASKET	RD-PVC(LS100 LG) 1353*610	1

2. PARTS

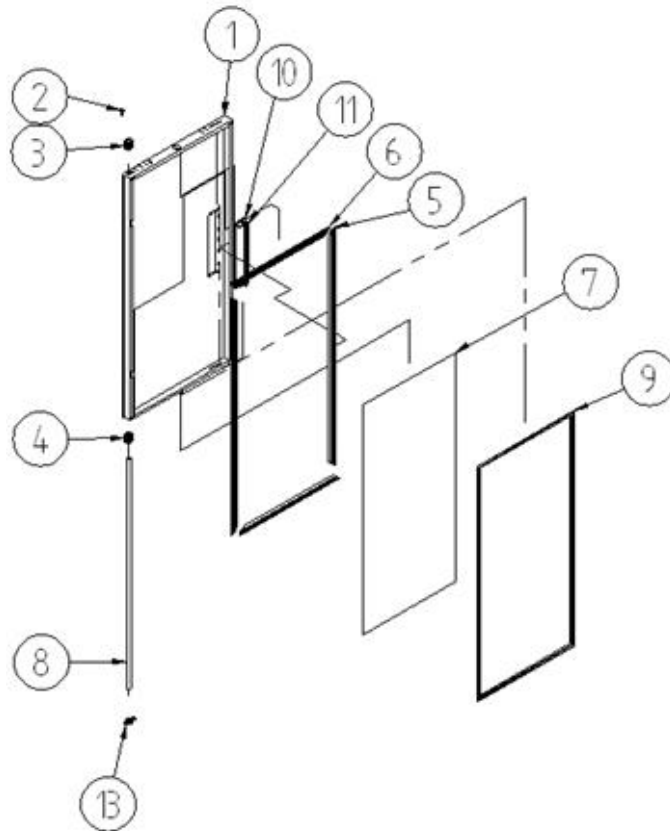
2-4. DOOR ASSY RH (LRB-1471PC, LFB-1471PC)



NO.	CODE-No	Title	Subject	Q'TY
1	R359A-411	PLATE DOOR	STS430 T0.5*1514.3*829.6	1
2	R3864-030	DOOR HINGE BUSHING	BS. $\varnothing 16 \times 25.3 \times 1360$	1
3	R3883-051	DOOR HINGE BLOCK UPP	NY-66 (R620)	1
4	R3883-041	DOOR HINGE BLOCK LOW	NY-66 (R620)	1
5	R368A-050	DOOR SASH-S	ABS(RS800M BLACK) L=643	2
6	R368A-260	DOOR SASH-L	ABS L=1386	2
7	R359A-400	PLATE DOOR REAR BM	STS443CT T0.4*1331*588	1
8	R338A-040	DOOR GASKET	RD-PVC(LS100 LG) 1353*610	1
9	R4122-272	HANDLE BODY	UL94-HB ABS BLK	1
10	R4122-263	HANDLE GUARD	UL94-HB	1
12	R3393-520	LOW BUSHING RH	34*66	1
13	R2114-030	DOOR HINGE SPRING GUIDE	PVC. T2.0. L=1308	1

2. PARTS

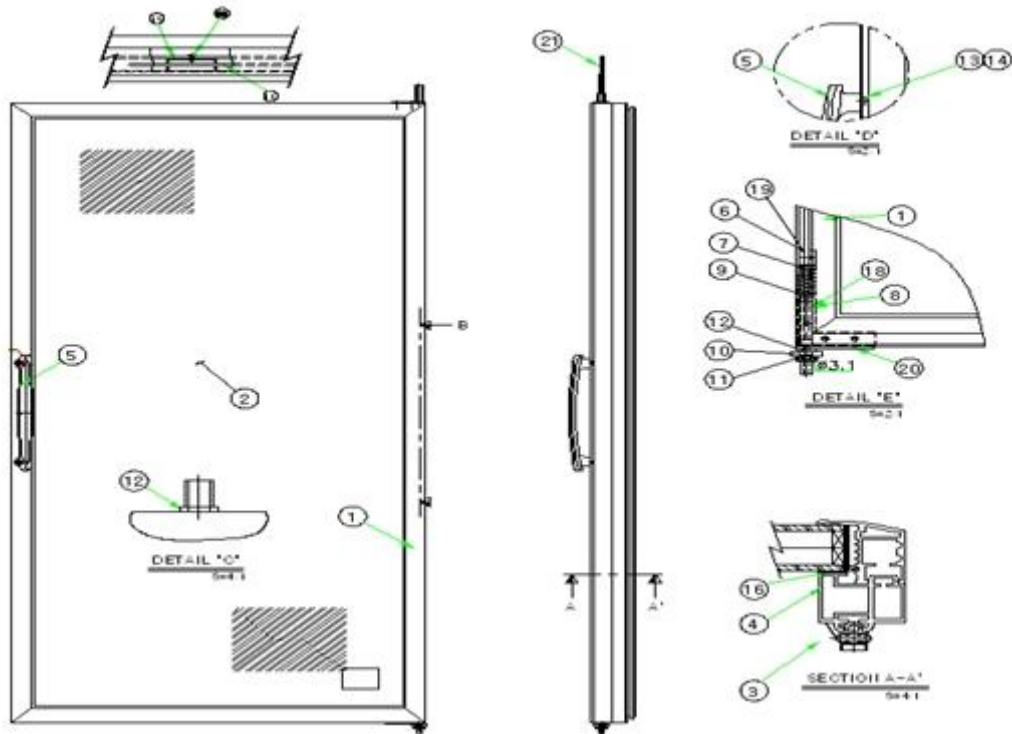
2-4. DOOR ASSY LF (LRB-1471PC, LFB-1471PC)



NO.	CODE-No	Title	Subject	Q'TY
1	R359A-411	PLATE DOOR	STS430 T0.5*1514.3*829.6	1
2	R3864-030	DOOR HINGE BUSHING	BS. $\varnothing 16 \times 25.3 \times 1360$	1
3	R3883-051	DOOR HINGE BLOCK UPP	NY-66 (R620)	1
4	R3883-041	DOOR HINGE BLOCK LOW	NY-66 (R620)	1
5	R368A-050	DOOR SASH-S	ABS(RS800M BLACK) L=643	2
6	R368A-260	DOOR SASH-L	ABS L=1386	3
7	R359A-400	PLATE DOOR REAR BM	STS443CT T0.4*1331*588	1
8	R338A-040	DOOR GASKET	RD-PVC(LS100 LG) 1353*610	1
9	R4122-272	HANDLE BODY	UL94-HB ABS BLK	1
10	R4122-263	HANDLE GUARD	UL94-HB	1
11	R4123-420	PRIDE HANDLE GUARD	ABS	1
13	R3393-540	LOW BUSHING LF	36*66	1

2. PARTS

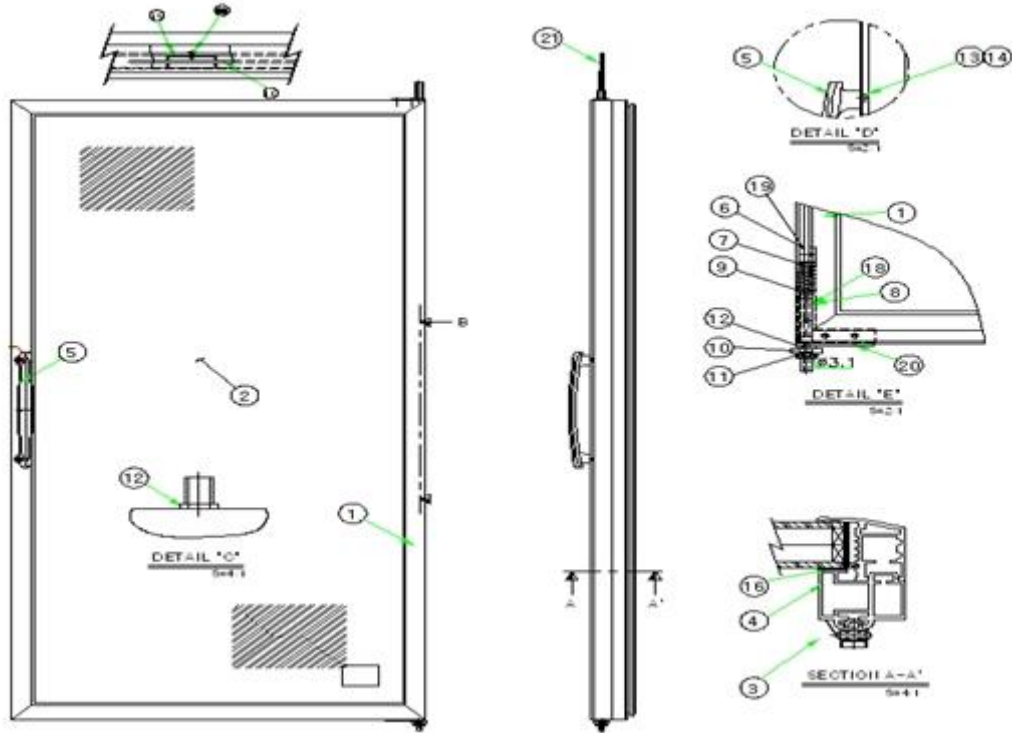
2-4. DOOR ASSY LF/RH (LRB-1471PCG)



NO.	CODE-No	Title	Subject	Q'TY
1	R4133-793	DOOR FRAME	AL 6063TS	1
2	R817B-070,808	GLASS DOOR	판유리	1
3	R338A-080	GASKET DOOR	PVC	1
4	-	SUPPORT GASKET	ABS / RS-650	4
5	R3393-330	DOOR HANDLE	ZN ALLOY	1
6	-	SUPPORT SPRING	SUS T1.2	1
7	-	CORNER ANGLE	ZN ALLOY	2
8	-	SPLIT WASHER		2
9	-	SPLIT WASHER		2
10	-	LOW BUSHING		1
11	-	TENSION BAR	P.S	1
12	-	HINGE PIN	SUS 303	2
13	-	BOLT	MSWR/ M5*15	2
14	-	SPRING WASHER	MSWR	2
15	-	TENSION B/K	SUS 304 T2.0	1
16	-	TAPE		4
17	-	BOLT	MSWR/ M4*6	1
18	-	CORNER BRACKET	SUS 304 T1.0	2
19	-	CORNER IN. B/K	AL 5052	4
21	-	STOPPER PLATE	SUS304	2
21	R720A-430	HEATER -CORD GLASS DOOR BM	115V 20W 661Ω L3947	1

2. PARTS

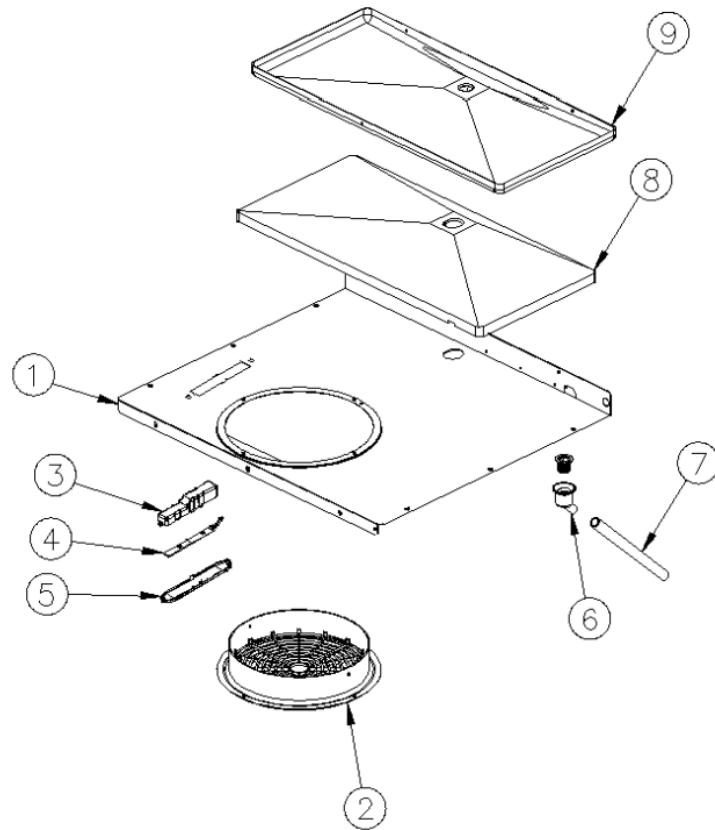
2-4. DOOR ASSY RH (LRB-771PCG)



NO.	CODE-No	Title	Subject	Q'TY
1	R4133-793	DOOR FRAME	AL 6063TS	1
2	R817B-080	GLASS DOOR	판유리	1
3	R338A-080	GASKET DOOR	PVC	1
4	-	SUPPORT GASKET	ABS / RS-650	4
5	R3393-330	DOOR HANDEL	ZN ALLOY	1
6	-	SUPPORT SPRING	SUS T1.2	1
7	-	CORNER ANGLE	ZN ALLOY	2
8	-	SPLIT WASHER		2
9	-	SPLIT WASHER		2
10	-	LOW BUSHING		1
11	-	TENSION BAR	P.S	1
12	-	HINGE PIN	SUS 303	2
13	-	BOLT	MSWR/ M5*15	2
14	-	SPRING WASHER	MSWR	2
15	-	TENSION B/K	SUS 304 T2.0	1
16	-	TAPE		4
17	-	BOLT	MSWR/ M4*6	1
18	-	CORNER BRACKET	SUS 304 T1.0	2
19	-	CORNER IN. B/K	AL 5052	4
21	-	STOPPER PLATE	SUS304	2
21	R7303-810	DOOR HEATER	115V/20W	1

2. PARTS

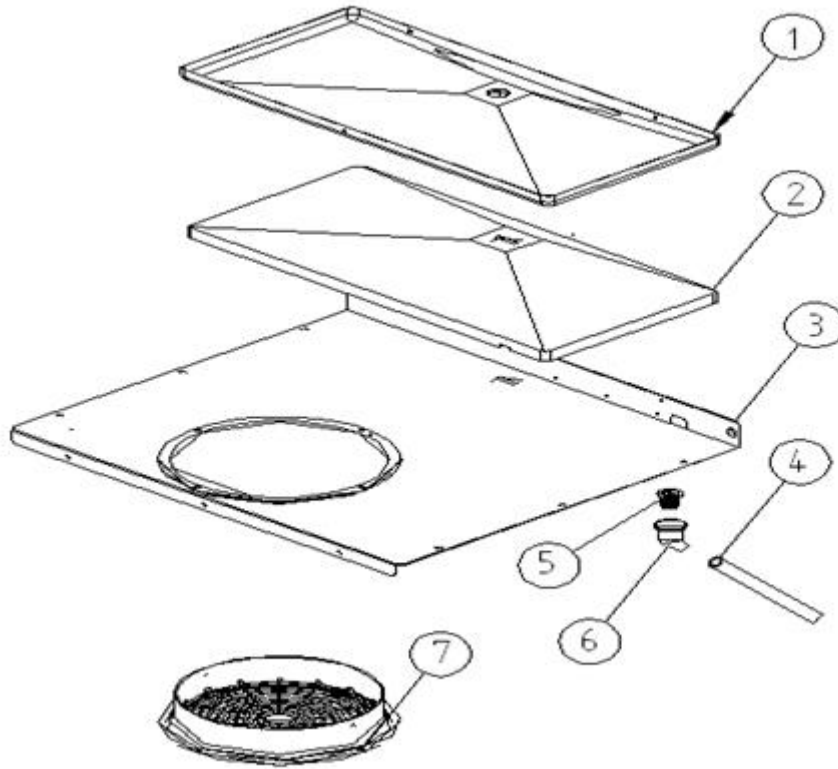
2-5. EVAPORATOR HOUSING ASSY (LRB-771PC)



NO.	CODE-No	Title	Subject	Q'TY
1	R325A-150	EVAPORATOR HOUSING	STS443CT. T0.5*575*558	1
2	R3812-141	EVAPORATOR FAN MOTMOR GUARD	HIPS (VH-1800EX)	1
3	R313A-050	BODY LAMP	HIPS 60HRI,112*20.7*21	1
4	R723A-040	ASSY LED LAMP	FR1,DC 12V, LED LAMP 4P	1
5	R325A-141	COVER LAMP	PC, MILKI WHITE	1
6	R3744-101	EVAPORATOR DRAIN ELBOW LOW	PP. WHT	1
7	R2124-021	EVAPORATOR DRAIN HOSE A	SILICON,OD16*ID12,L213	1
8	R1143-202	EVAPORATOR DRAIN INSUL-S	FOAM-PS,256*530	1
9	R3743-051	EVAPORATOR DRAIN PAN-SMALL	AL+WHITE COATING	1

2. PARTS

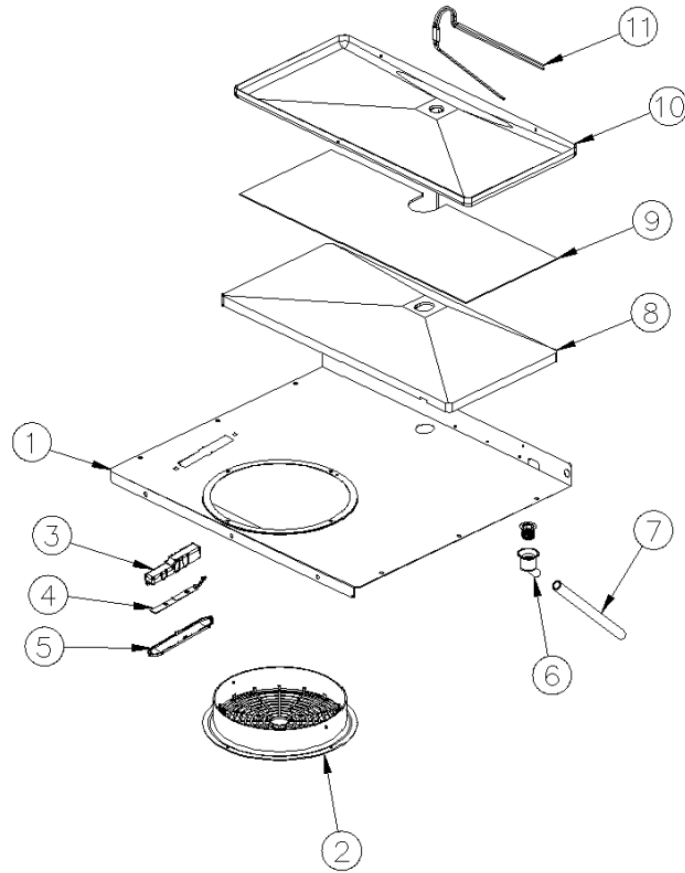
2-5. EVAPORATOR HOUSING ASSY (LRB-771PCG)



NO.	CODE-No	Title	Subject	Q'TY
1	R3743-051	EVAPORATOR DRAIN PAN SMALL	AL. T0.8	1
2	R1143-202	INSUL DRAIN 23	EPS. 17*530*256	1
3	R3813-482	EVAP HOUSING (23G)	STS443CT-2B. T0.5*575*558	1
4	R2124-021	EVAPORATOR DRAIN HOSE A	SILICON. CLEAR. 16*12. L=213	1
5	R3744-091	EVAPORATOR DRAIN ELBOW UPP	PP. WHT	1
6	R3744-101	EVAPORATOR DRAIN ELBOW LOW	PP. WHT	1
7	R3812-141	EVAPORATOR FAN MOTOR GUARD	HIPS (VH-1800EX). UL	1

2. PARTS

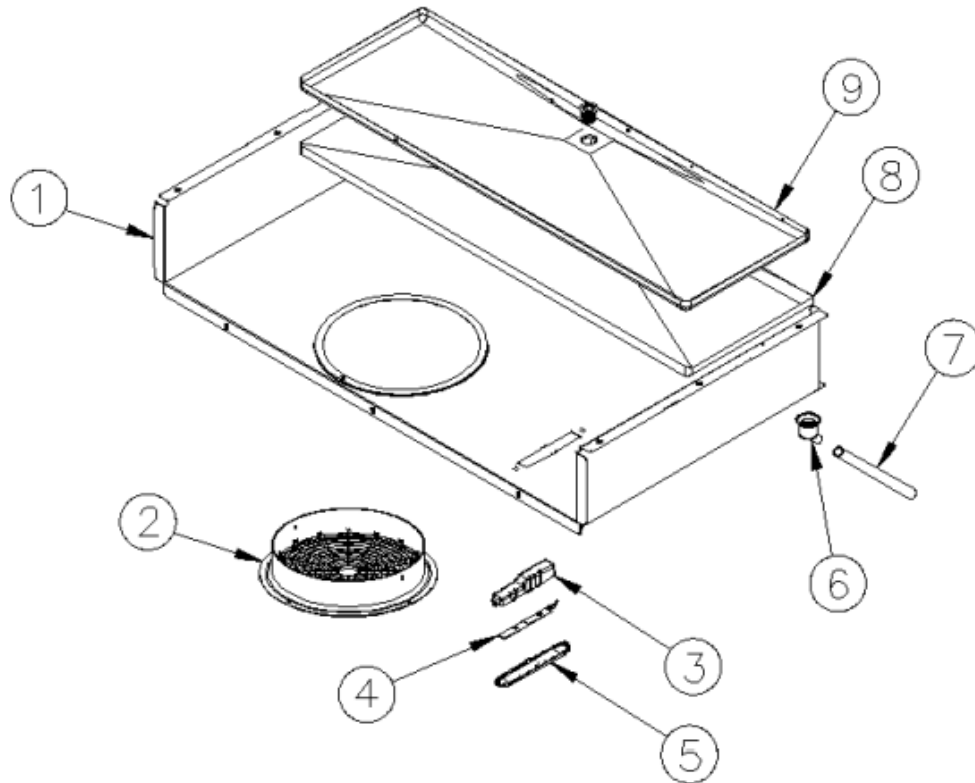
2-5. EVAPORATOR HOUSING ASSY (LFB-771PC)



NO.	CODE-No	Title	Subject	Q'TY
1	R325A-150	EVAPORATOR HOUSING	STS443CT. T0.5*575*558	1
2	R3812-141	EVAPORATOR FAN MOTMOR GUARD	HIPS (VH-1800EX)	1
3	R313A-050	BODY LAMP	HIPS 60HRI,112*20.7*21	1
4	R723A-040	ASSY LED LAMP	FR1,DC 12V, LED LAMP 4P	1
5	R325A-141	COVER LAMP	PC, MILKI WHITE	1
6	R3744-101	EVAPORATOR DRAIN ELBOW LOW	PP. WHT	1
7	R2124-021	EVAPORATOR DRAIN HOSE A	SILICON,OD16*ID12,L213	1
8	R1143-202	EVAPORATOR DRAIN INSUL-S	FOAM-PS,256*530	1
9	R7303-174	HEATER DRAIN PAN	115V/90W	1
10	R3743-051	EVAPORATOR DRAIN PAN-SMALL	AL+WHITE COATING	1
11	R853A-011	ASSY HEATER DRAIN HOSE	115W/10W	1

2. PARTS

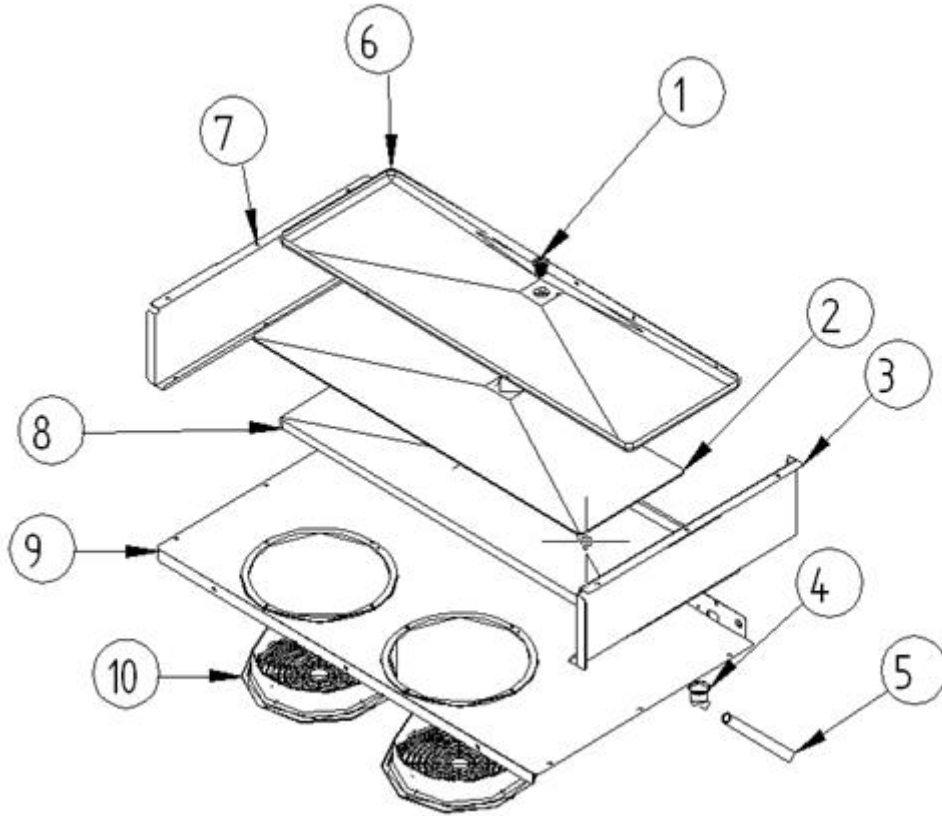
2-5. EVAPORATOR HOUSING ASSY (LRB-1471PC)



NO.	CODE-No	Title	Subject	Q'TY
1	R325A-150	EVAPORATOR HOUSING	STS443CT. T0.5*726.5*501.5	1
2	R3812-141	EVAPORATOR FAN MOTMOR GUARD	HIPS (VH-1800EX)	1
3	R313A-050	BODY LAMP	HIPS 60HRI,112*20.7*21	1
4	R723A-040	ASSY LED LAMP	FR1,DC 12V, LED LAMP 4P	1
5	R325A-141	COVER LAMP	PC, MILKI WHITE	1
6	R3744-101	EVAPORATOR DRAIN ELBOW LOW	PP. WHT	1
7	R2124-021	EVAPORATOR DRAIN HOSE A	SILICON,OD16*ID12,L213	1
8	R1143-222	EVAPORATOR DRAIN INSUL-M	FOAM-PS,256*622	1
9	R3743-041	EVAPORATOR DRAIN PAN-MID	AL+WHITE COATING	1

2. PARTS

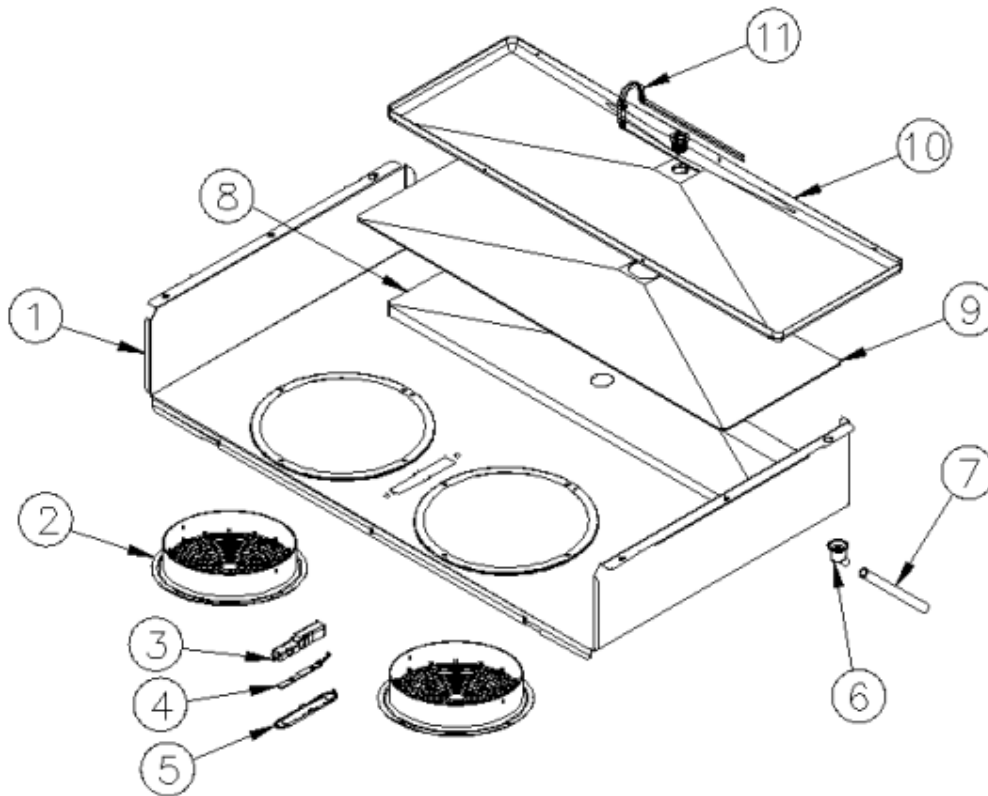
2-5. EVAPORATOR HOUSING ASSY (LRB-1471PCG)



NO.	CODE-No	Title	Subject	Q'TY
1	R3744-091	EVAPORATOR DRAIN ELBOW-UPP	PP WHITE(30209L0200)	1
2	R1143-212	INSUL DRAIN 49	EPS. 17*800*256	1
3	R8139-140	EVAPORATOR HOUSING ASSY	STS430-2B. T0.5*180.5*538	1
4	R3744-101	EVAPORATOR DRAIN ELBOW LOW	PP WHITE(30209L0200)	1
5	R2124-021	EVAPORATOR DRAIN HOSE A	SILICON. CLEAR. 16*12.L=213	1
6	R3743-031	EVAPORATOR DRAIN PAN-LARGE	AL. T0.8	1
7	R3853-680	EVAP HOUSING SIDE LF	STS430-2B. T0.5*180.5*537	1
8	R1143-212	INSUL DRAIN 49	EPS. 17*800*256	1
9	R3813-331	EVAP HOUSING	STS443CT. T0.5*868*558	1
10	R3812-141	EVAPORATOR FAN MOTMOR GUARD	HIPS (VH-1800EX). UL	2

2. PARTS

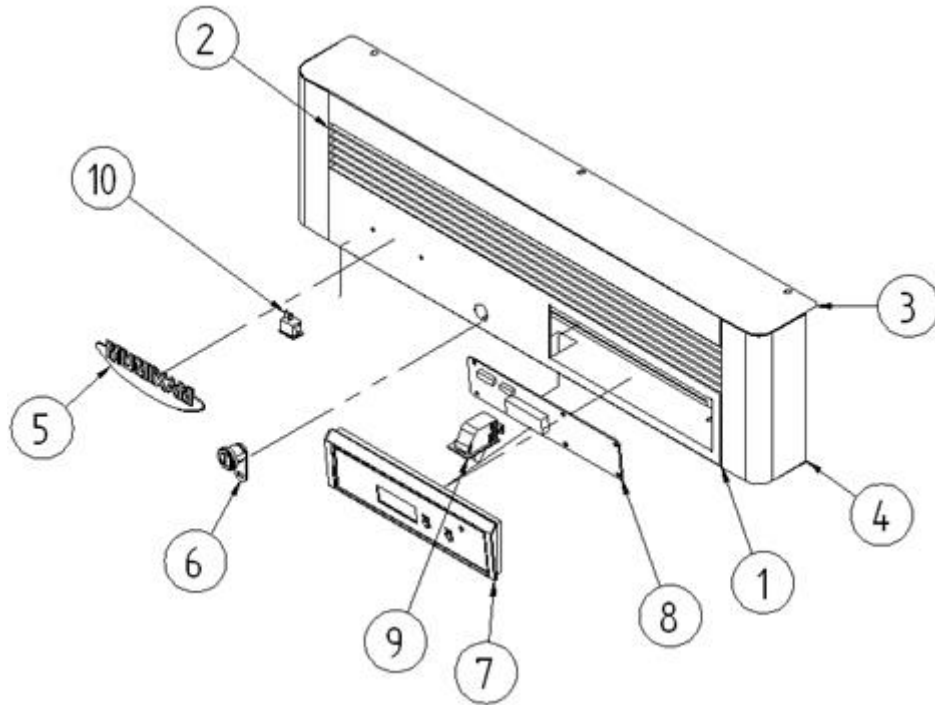
2-5. EVAPORATOR HOUSING ASSY (LFB-1471PC)



NO.	CODE-No	Title	Subject	Q'TY
1	R325A-172	EVAPORATOR HOUSING	STS443CT 2B T0.5*1190.7*562.9	1
2	R3812-141	EVAPORATOR FAN MOTMOR GUARD	HIPS (VH-1800EX)	2
3	R313A-050	BODY LAMP	HIPS 60HRI,112*20.7*21	1
4	R723A-040	ASSY LED LAMP	FR1,DC 12V, LED LAMP 4P	1
5	R325A-141	COVER LAMP	PC, MILKI WHITE	1
6	R3744-101	EVAPORATOR DRAIN ELBOW LOW	PP. WHT	1
7	R2124-021	EVAPORATOR DRAIN HOSE A	SILICON,OD16*ID12,L213	1
8	R1143-212	EVAPORATOR DRAIN INSUL-L	FOAM-PS,256*800	1
9	R7303-184	HEATER DRAIN PAN	115V/90W	1
10	R3743-032	EVAPORATOR DRAIN PAN-LARGE	AL+COATING	1
11	R853A-021	ASSY HEATER DRAIN HOSE	115W/10W	1

2. PARTS

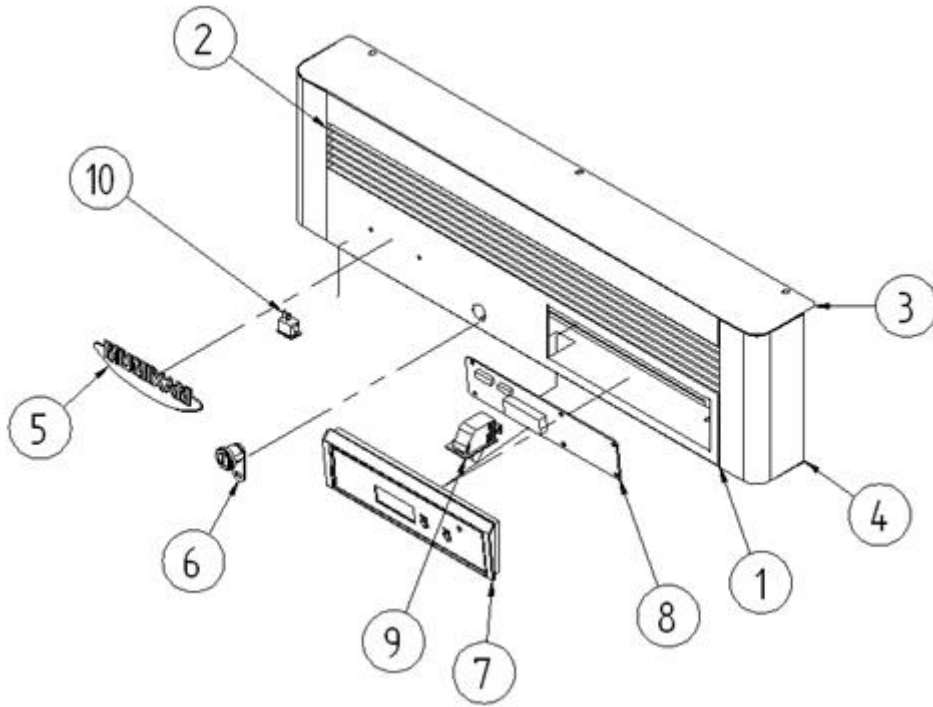
2-6. TOP FRAME ASSY (LRB-771PC, LFB-771PC)



NO.	CODE-No	Title	Subject	Q'TY
1	R3153-201	TOP FRAME LOW	STS430-#4. T0.6*197*681	1
2	R3153-151	TOP FRAME MID PIECE-S	ABS. BLK. L=571	1
3	R3153-113	TOP FRAME UPP	STS430-#4. T0.6*679*159.3	1
4	R359A-431	PLATE TOP GRILL SIDE	STS430#4 T0.5	2
5	R5133-160	MASCOT	EPOXY. 150*35	1
6	R3734-030	DOOR LOCKING ASSY	ZDC. ZCR	1
7	R4142-123	CONTROL BOARD (DIGITAL DISPLAY)	ABS. BLK. T2*242*72	1
8	R7113-560	DISPLAY PCB (°F)	88 SEGMENT. °F	1
9	R7203-010	SWITCH PUSH	SP201-7D 125VAC1.5A	1
10	R7204-070	POWER SWITCH	SL112A. 125V 15A	1

2. PARTS

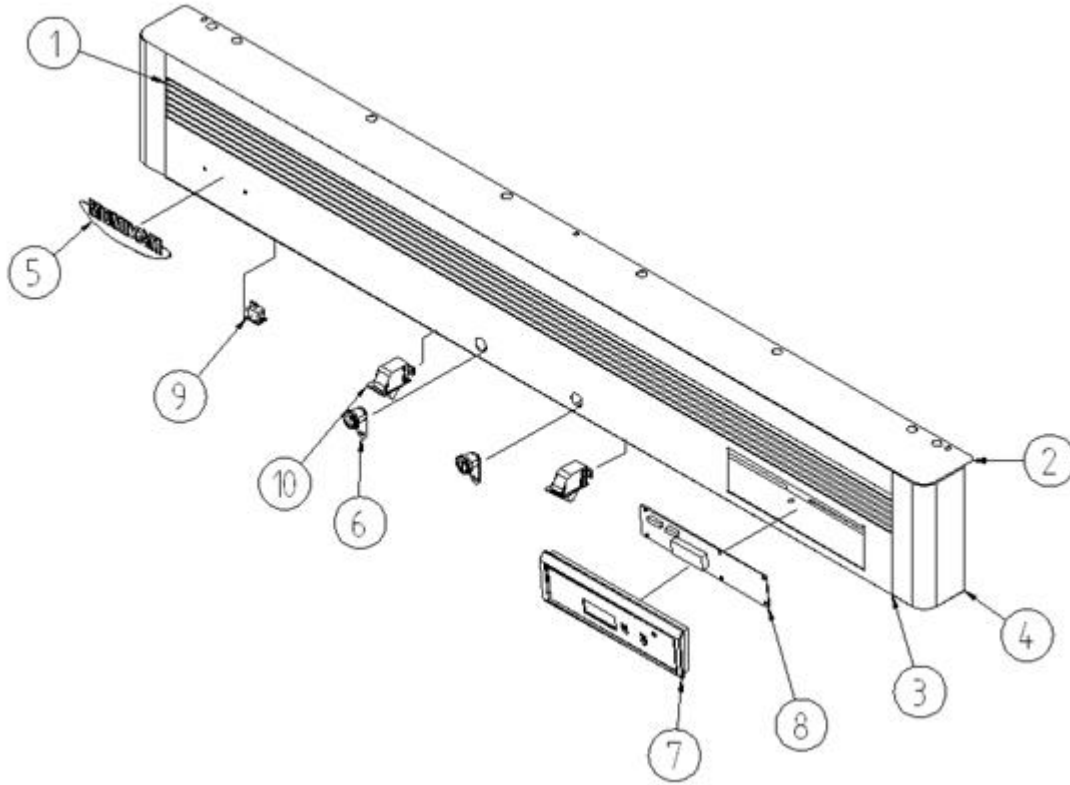
2-6. TOP FRAME ASSY (LRB-771PCG)



NO.	CODE-No	Title	Subject	Q'TY
1	R359C-440	PLATE TOP GRILLE LOW	STS430-#4. T0.6*197*681	1
2	R3153-151	TOP FRAME MID PIECE-S	ABS. BLK. L=571	1
3	R3153-113	TOP FRAME UPP	STS430-#4. T0.6*679*159.3	1
4	R359C-431	PLATE TOP GRILL SIDE	STS430-#4. T0.6*219.7*139	2
5	R5133-160	MASCOT	EPOXY. 150*35	1
6	R3734-030	DOOR LOCKING ASSY	ZDC. ZCR	1
7	R4142-123	CONTROL BOARD (DIGITAL DISPLAY)	ABS. BLK. T2*242*72	1
8	R7113-560	DISPLAY PCB (°C)	88 SEGMENT. °F	1
9	R7203-010	SWITCH PUSH	SP201-7D 125VAC1.5A	1
10	R7204-070	POWER SWITCH	SL112A. 125V 15A	1

2. PARTS

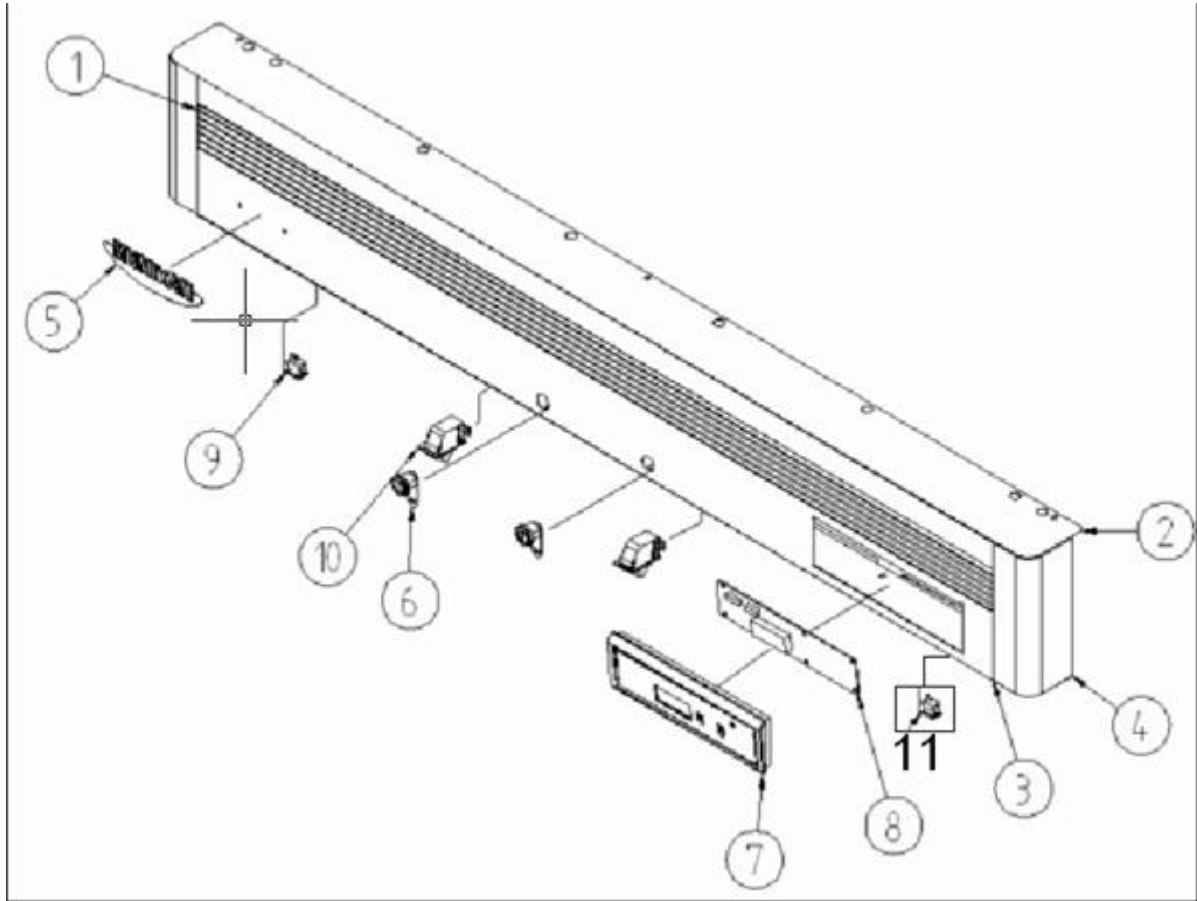
2-6. TOP FRAME ASSY (LRB-1471PC, LFB-1471PC)



NO.	CODE-No	Title	Subject	Q'TY
1	R3153-141	TOP FRAME MID PIECE, L	ABS, BLK, L=1260	1
2	R359A-490	TOP FRAME UPP 49	STS430-#4 T0.6*1368*158.9	1
3	R359A-510	TOP FRAME LOW	STS430-#4 T0.6*1368*188	1
4	R359A-431	PLATE TOP GRILL SIDE	STS430#4 T0.5 BM 전모델	2
5	R5133-160	MASCOT	EPOXY. 150*35	1
6	R3734-030	DOOR LOCKING ASSY	ZDC. ZCR	1
7	R4142-123	CONTROL BOARD (DIGITAL DISPLAY)	ABS/BLACK BM/TM T2*242*72	1
8	R7113-560	DISPLAY PCB (°C)	88 SEGMENT. °F	1
9	R7204-070	POWER SWITCH	SL112A. 125V 15A	2
10	R7203-010	SWITCH PUSH	SP201-7D 125VAC1.5A	1

2. PARTS

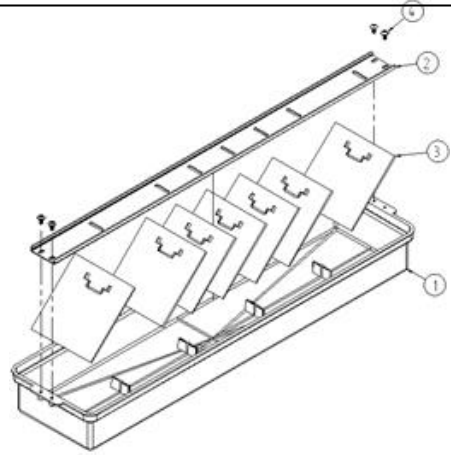
2-6. TOP FRAME ASSY (LRB-1471PCG)



NO.	CODE-No	Title	Subject	Q'TY
1	R3153-141	TOP FRAME MID PIECE, L	ABS, BLK, L=1260	1
2	R3152-123	TOP FRAME UPP 49	STS430-#4. T0.6*1368*159.3	1
3	R359C-450	PLATE TOP GRILLE LOW BM49	STS430-#4. T0.6*197*1368	1
4	R359A-431	PLATE TOP GRILL SIDE	STS430-#4. T0.6*219.7*139	2
5	R5133-160	MASCOT	EPOXY. 150*35	1
6	R3734-030	DOOR LOCKING ASSY	ZDC. ZCR	1
7	R4142-123	CONTROL BOARD (DIGITAL DISPLAY)	ABS. BLK. T2*242*72	1
8	R7113-560	DISPLAY PCB (°C)	88 SEGMENT. °F	1
9	R7204-070	POWER SWITCH	SL112A. 125V 15A	1
10	R7203-010	SWITCH PUSH	SP201-7D 125VAC1.5A	1
11	R7204-070	LAMP POWER SWITCH	SL112A. 125V 15A	1

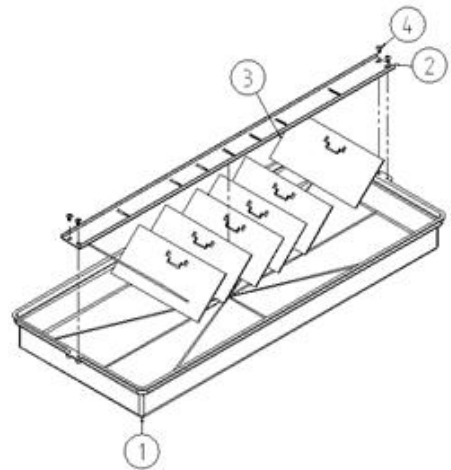
2. PARTS

2-7. EVAPORATOR DRAIN WATER-S ASSY



MODEL : LRB-771PC, LFB-771PC, LRB-771PCG)

NO.	CODE-No	Title	Subject	Q'TY
1	R3743-060	EVAPORATOR DRAIN WATER SMALL	ABS,BLK(30211L0700)	1
2	R3853-230	EVAPORATOR WICKING GUIDE	P.P. WHT. T2.0*569*40	1
3	R1154-010	DRAIN WICKING K/T	P.P. T2.5*99*103	7
4	C3009-110	SCREW THT2 4*6Y	THT2 46Y	4



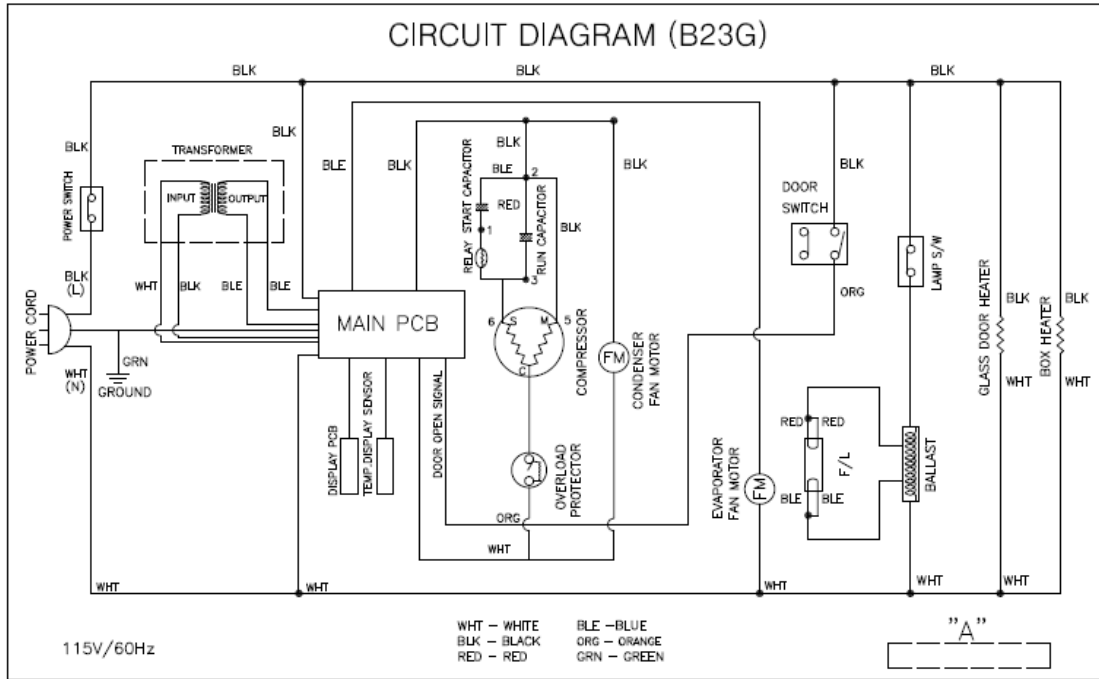
MODEL : LRB-1471PC, LFB-1471PC, LFB-1471PCG)

NO.	CODE-No	Title	Subject	Q'TY
1	R3743-070	TRAY-DRAIN WATER L	ABS, BLK	1
2	R3853-240	EVAPORATOR WICKING GUIDE	P.P. WHT. T2.0*657*40	1
3	R1154-020	PAPER-KIT	P.P. T2.5*180*83	7
4	Z394A-020	SCREW TAPPING	TH-2 4*6 SWCH-ZN	4

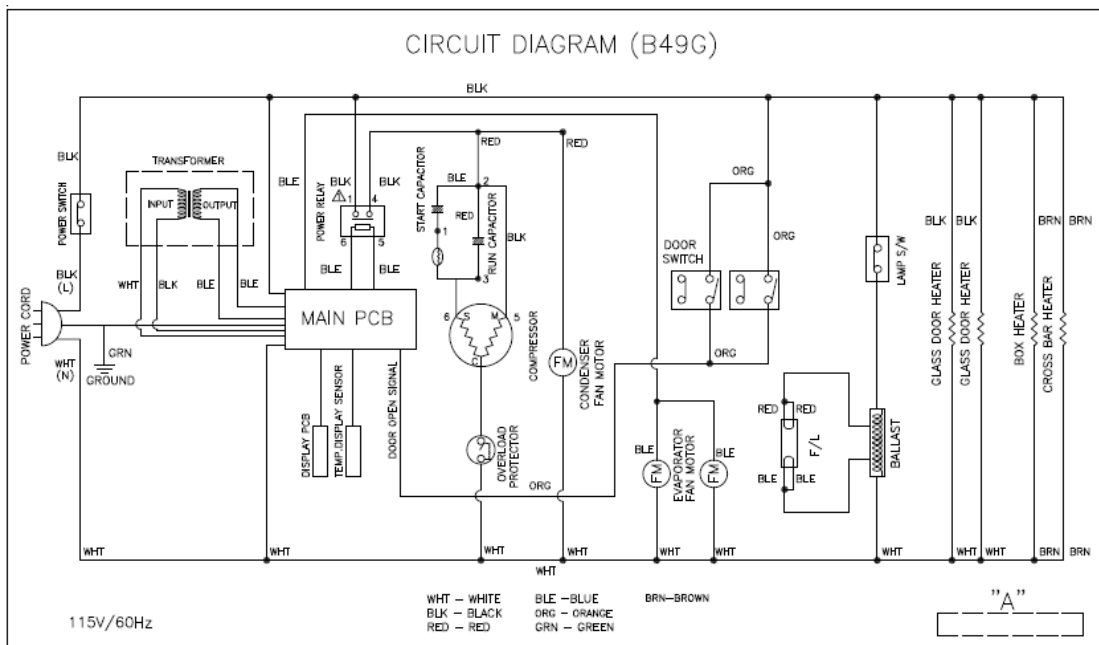
3. WIRING DIAGRAM

3-1. REFRIGERATOR

◇ LRB-771PCG



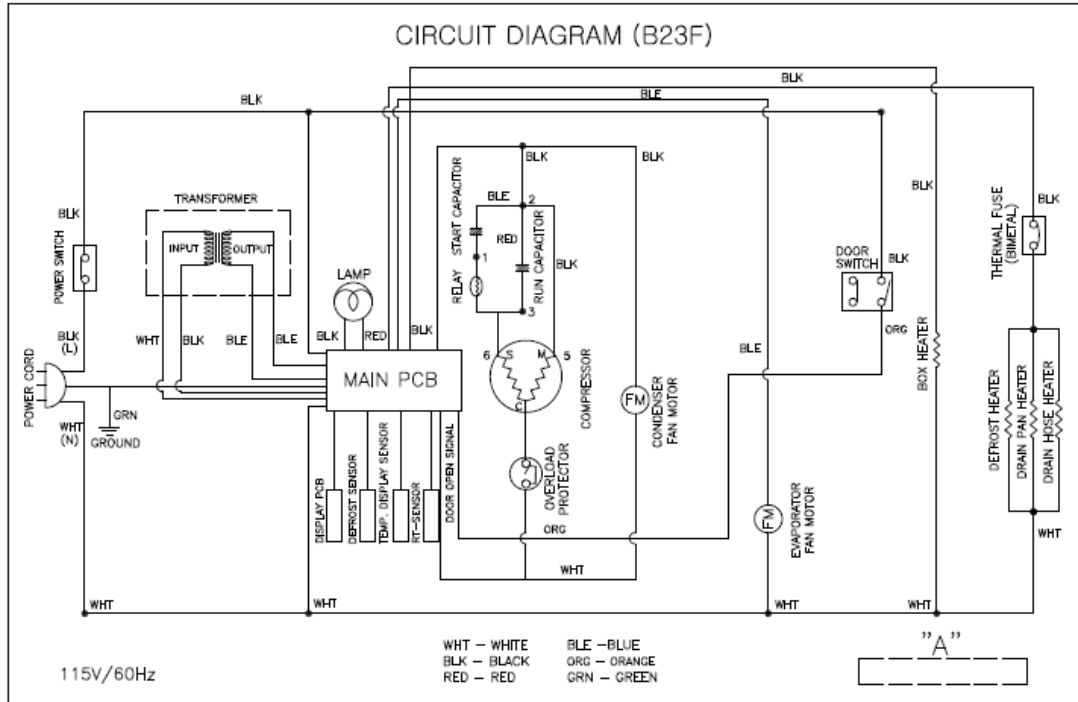
◇ LRB-1471PCG



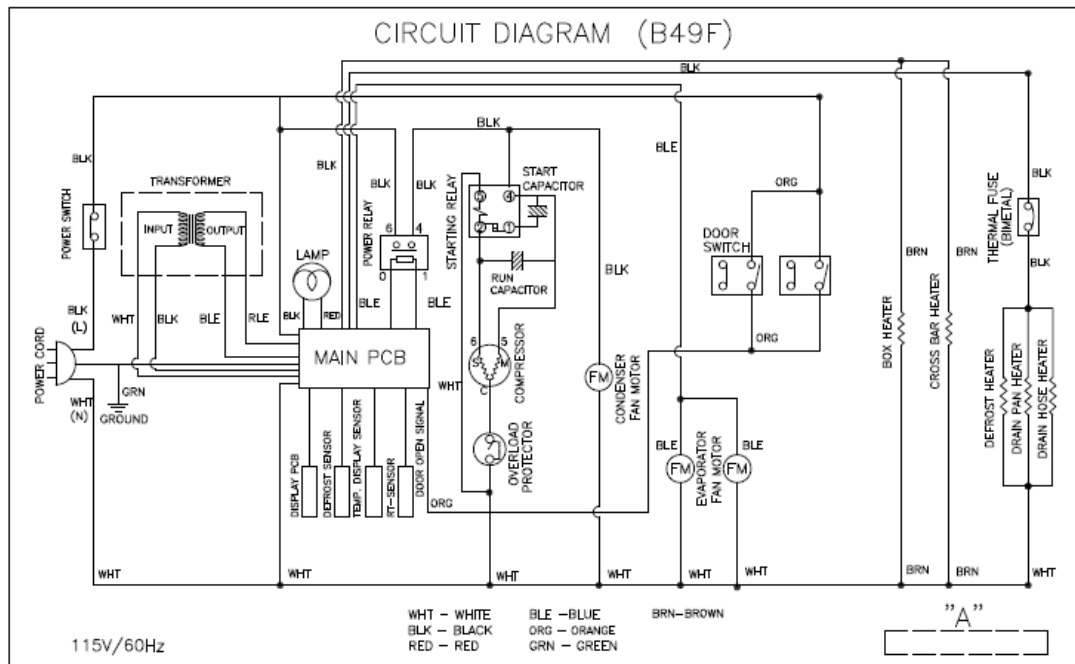
3. WIRING DIAGRAM

3-2. FREEZER

◇ LFB-771PC

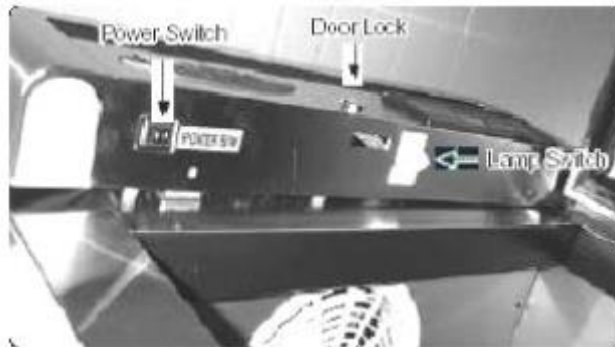


◇ LFB-1471PC



4. PART DETAILS

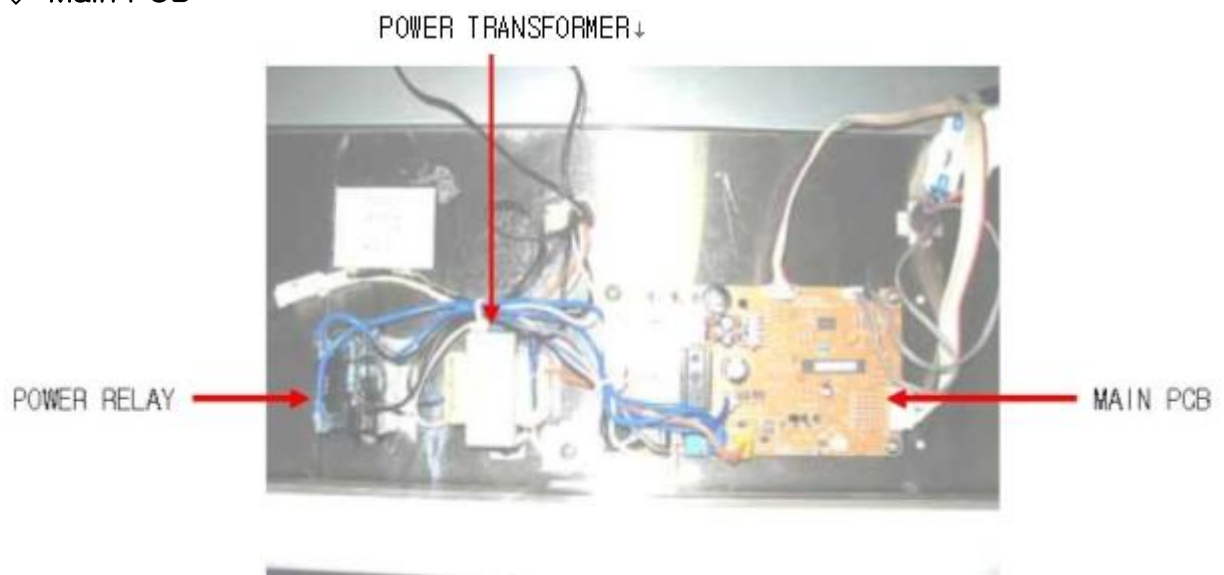
4-1. TOP PANEL



◇ Display PCB



◇ Main PCB



4. PART DETAILS

4-2. COMPRESSOR COMPARTMENT

◇ Condensing Unit



LRB-1471PC



LFB-1471PC

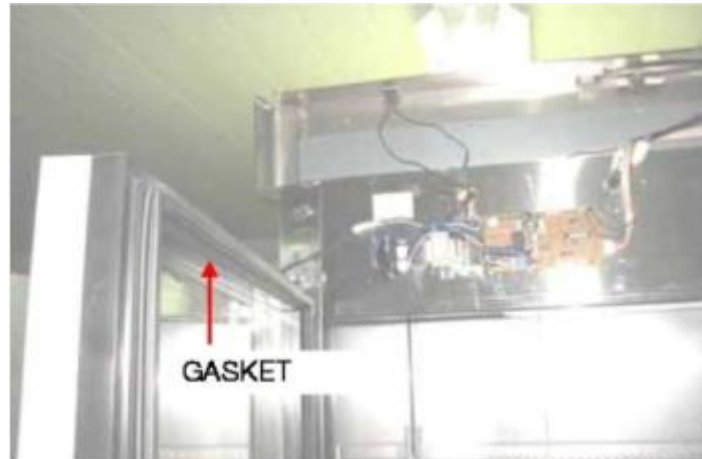


LRB-771PC, LFB-771PC

4. PART DETAILS

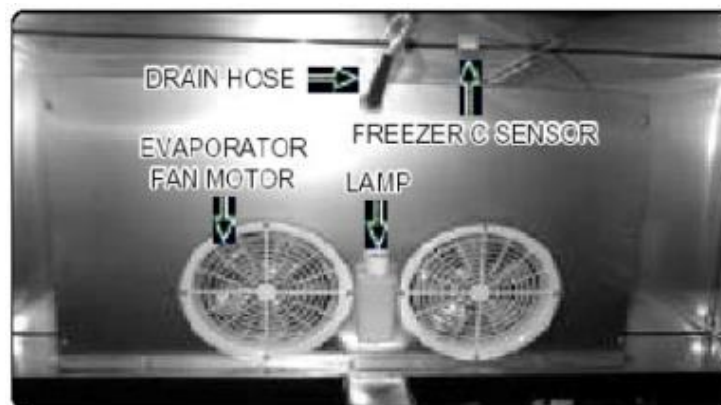
4-3. DOOR

- ◇ Door Gasket

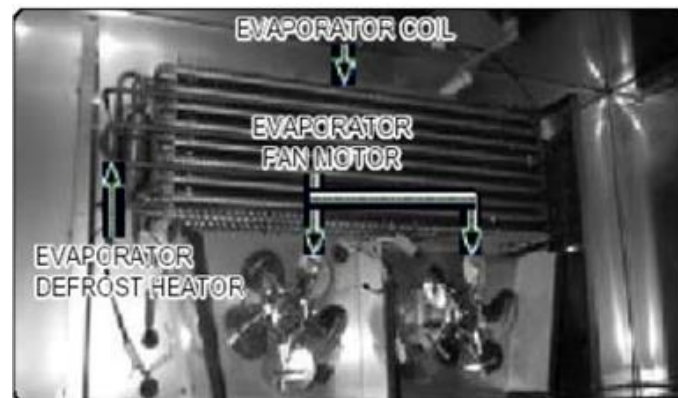


4-4. COOLING COMPARTMENT

- ◇ Evaporator Housing (Duct) (LFB-1471PC)



- ◇ Refrigerator Evaporator (LFB-1471PC)



4. PART DETAILS

- ◇ Condensate Drain Pan



- ◇ Condenser Fan Motor Assembly

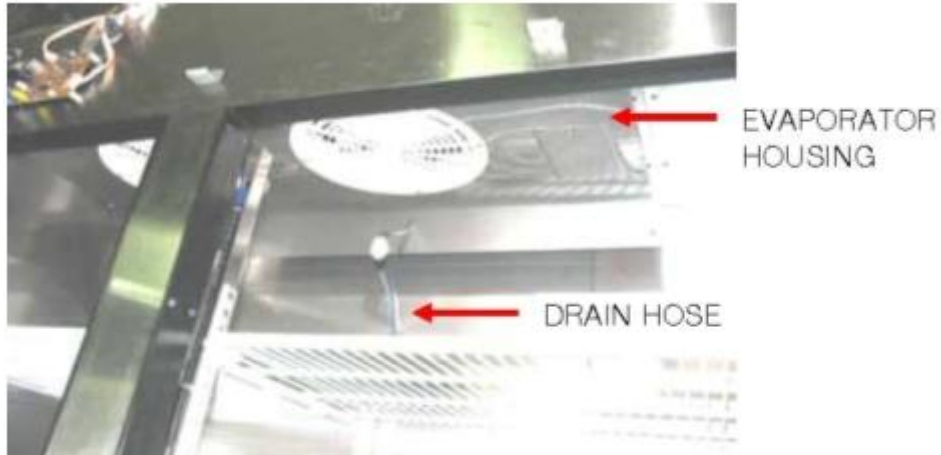


- ◇ Compressor Capacitor (Running & Starting Capacitor)



4. PART DETAILS

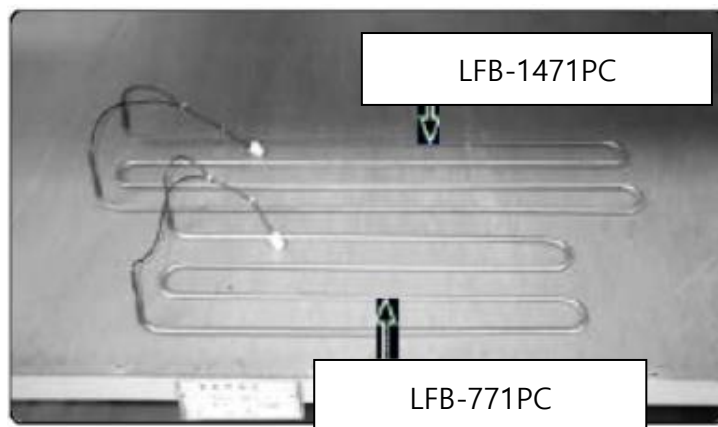
- ◇ Evaporator Housing (Duct) (LRB-771PC, LFB-771PC)



- ◇ Coil Evaporator (LFB-1471PC)



- ◇ Evaporator Defrost Heater (LFB-771PC, LFB-1471PC)

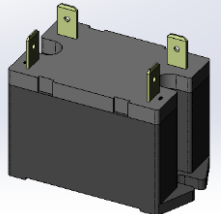
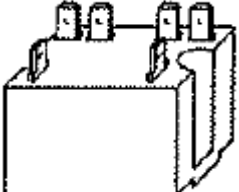


5. MAIN COMPONENTS

5-1.COMPRESSOR

MODEL	LRB-771PC/PCG LFB-771PC	LRB-1471PC	LRB-1471PCG	LFB-1471PC
Refrigerant	R-134a	R-134a	R-404a	R-404a
Voltage	115V	115V	115V	115V
Comp. Model	SK1A1C-L2W	SK1A1C-L2W	SC18G	SC18CLX2
Part code	(DY) R7439-110	R7439-110	R714A-010	R7439-600
Image				





5-2.POWER-RELAY(COMP. RELAY)

MODEL	LFB-1471PC	LRB-1471PCG	KBSF-3
Voltage	115V/60Hz		115V/60Hz
Relay Model	PANASONIC HE1AN-Q-DC12V 30A		PANASONIC HE2AN-Q-DC12V 25A
Part code	(DY) R748A-020	R748A-020	R748A-030
Image			


5-3. STARTING CAPACITOR

MODEL	LRB-771PC/1471PC	LFB-771PC/1471PC	LFB-1471PC	LRB-771PCG
Spec	160VAC 145 μ F	160VAC 145 μ F	125~165V/410 μ F	160VAC 145 μ F
Part code	(DY) R7549-270	R7549-270	R7549-280	R7549-270
Image				

5-4. RUNNING CAPACITOR

MODEL	LRB-771PC/1471PC	LFB-771PC/1471PC	LFB-1471PC	LRB-771PCG
Spec	350VAC 15 μ F	350VAC 15 μ F	280VAC 23.5 μ F	350VAC 15 μ F
Part code	(DY) R7549-260	R7549-260	R7549-290	R7549-260
Image				


5-5. DRYER

MODEL	LRB-771PC/PCG	LRB-1471PC	LFB-771PC	LFB-1471PC LRB-1471PCG
Refrigerant	R-134a			R-404a
Spec	36GR			-
Part code	(DY) R2183-032	R2183-032		R2183-200
Image				


5-6. CONDENSER COIL

MODEL	LRB-771PC/PCG	LRB-1471PC	LFB-771PC	LFB-1471PC/LRB-1471PCG
Spec	4.76*13190			CU.OD9.52
Part code	(DY) R2202-033	R2202-033		R2272-013
Image				

5-7. CONDENSER FAN MOTOR BLADE

MODEL	LFB-771PC/ LRB-771PCG	LRB-1471PC/PCG	LFB-771PC	LFB-1471PC
Spec	AL. ϕ 225.9" CCW			
Part code	(DY) R3729-050	R3729-050		
Image				


5-8. CONDENSER FAN MOTOR

MODEL	LRB-771PC/PCG	LRB-1471PC/PCG	LFB-771PC	LFB-1471PC
Voltage	115V/60Hz			
Motor Model	DAI-8204DYCA			
Part code	(DY)	R7423-311		
Image				

5-9. BRACKET C-FAN MOTOR

MODEL	LRB-771PC/PCG	LRB-1471PC/PCG	LFB-771PC	LFB-1471PC
Spec	SBHGI. T2.0*164			
Part code	(DY)	R315A-050		R315A-050
Image				


5-10. EVAPORATOR FAN MOTOR

MODEL	LRB-771PC/PCG	LRB-1471PC/PCG	LFB-771PC	LFB-1471PC
Voltage	115V/60Hz			
Motor Model	DAI-8204DYCA-1			
Part code	(DY)	R7423-301		
Image				

5-11. EVAPORATOR COIL/RETAINER COIL

MODEL	LRB-771PC/PCG	LRB-1471PC/PCG	LFB-771PC	LFB-1471PC
Spec	CU+AL	CU+AL	CU+AL	CU+AL
Part code	(DY) R8613-354	R8613-343	R2263-038	R2263-047
Image				


5-12. EVAPORATOR DEFROST HEATER

MODEL	LRB-771PC	LRB-1471PC	LFB-771PC	LFB-1471PC
Voltage	115V/60Hz			
Spec	-		445W	600W
Part code	(DY) -		R7303-402	R7303-412
Image				


5-13. EVAP FAN BLADE

MODEL	LRB-771PC/PCG	LRB-1471PC/PCG	LFB-771PC	LFB-1471PC
Spec	8". C.C.W			
Part code	(DY) R3729-010			
Image				



5-14. EVAPORATOR FAN MOTOR GUARD

MODEL	LRB-771PC/PCG	LRB-1471PC/PCG	LFB-771PC	LFB-1471PC
Spec	HIPS (VH-1800EX)			
Part code	(DY)	R3812-141		
Image				


5-15. EVAPORATOR FAN MOTOR BRACKET

MODEL	LRB-771PC/PCG	LRB-1471PC/PCG	LFB-771PC	LFB-1471PC
Spec	STS-304. T1.0*120*90			
Part code	(DY)	R3204-360		
Image				


5-16. MAIN PCB

MODEL	LRB-771PC/PCG/LFB-771PC	LRB-1471PC/PCG	LFB-1471PC
Voltage	115V/60Hz		
Part code	(DY)	R725A-312	R725B-250
Image			







5-17. DISPLAY PCB

MODEL	LRB-771PC/PCG	LRB-1471PC/PCG	LFB-771PC	LFB-1471PC
Spec	88 SEGMENT. °F			
Part code	(DY)	R7113-560		
Image				


5-18. INLAY CONTROL

MODEL	LRB-771PC/PCG	LRB-1471PC/PCG	LFB-771PC	LFB-1471PC
Spec	PC-SHEET			
Part code	(DY)	R4113-371		
Image				


5-19. HARNESS RELAY

MODEL	LRB-771PC	LRB-1471PC	LFB-771PC	LFB-1471PC	LRB-771PCG	LRB-1471PCG	
Spec	UL AWG 18						
Part code	 (DY)	 R719A-680	 R719A-690	R719B-680	 R719A-700	R7483-060	R7483-051
Image							


5-20. POWER CORD

MODEL	LRB-771PC/PCG	LRB-1471PC/PCG	LFB-771PC	LFB-1471PC
Spec	BLK, SJT. L=3000mm.115V 15A			
Part code	(DY)	R7363-260		
Image				


5-21. EVAPORATOR THERMAL FUSE (BIMETAL)

MODEL		LRB-771PC	LRB-1471PC	LFB-771PC	LFB-1471PC
Spec		-	-	MAX 75±5℃	
Part code	(DY)	-	-	R7253-052	
Image					


5-22. TEMP-THERMISTOR, FRE

MODEL		LRB-771PC	LRB-1471PC	LFB-771PC	LFB-1471PC
Spec		-	-	YELLOW	
Part code	(DY)	-	-	R7213-082	
Image					

5-23. DEFROST SENSOR (D-SENSOR)

MODEL		LRB-771PC	LRB-1471PC	LFB-771PC	LFB-1471PC
Spec		-	-	BLACK. L=180mm	
Part code	(DY)	-	-	R7213-210	
Image					

5-24. TEMP-DISPLAY SENSOR, FRE

MODEL		LRB-771PC/PCG	LRB-1471PC/PCG	LFB-771PC	LFB-1471PC
Spec		WHITE	WHITE		
Part code	(DY)	R7213-112	R7213-112		R7213-112
Image					



5-25. HARNESS SWITCH

MODEL	LRB-771PCG	LRB-1471PCG	LFB-771PC/ LFB-771PC	LRB-1471PC/ LFB-1471PC		
Spec	UL AWG 18					
Part code	(DY)	R7483-140	R7483-130	R7483-140	R7483-130	
Image						


5-26. EVAPORATOR DRAIN WATER

MODEL	LRB-771PC/PCG	LRB-1471PC	LFB-771PC	LFB-1471PC	
Spec	ABS. BLK.	-	ABS. BLK.	-	
Part code	(DY)	R3743-060	-	R3743-060	-
Image					





5-27. DRAIN PAN

MODEL	LRB-771PC	LRB-1471PC/PCG	LFB-771PC	LFB-1471PC	
Spec	-	ABS. BLK	-	ABS. BLK	
Part code	(DY)	-	R3742-070	-	R3742-070
Image					



5-28. EVAP WICKING GUIDE

MODEL	LRB-771PC/PCG	LRB-1471PC/PCG	LFB-771PC	LFB-1471PC	
Spec	PP.WHT T2.0*40*569	PP.WHT T2.0*40*657	PP.WHT T2.0*40*569	PP.WHT T2.0*40*657	
Part code	(DY)	R3853-230	R3853-240	R3853-230	R3853-240
Image	 <div style="display: flex; justify-content: space-between; width: 100%;"> (R3853-230) (R3853-240) </div>				


5-29. EVAP WICKING KIT

MODEL	LRB-771PC/PCG	LRB-1471PC/PCG	LFB-771PC	LFB-1471PC
Spec	PP. T2.5*99*103	PP. T2.5*93*180	PP. T2.5*99*103	PP. T2.5*93*180
Part code	(DY) R1154-010	R1154-020	R1154-010	R1154-020
Image				

5-30. HEATER DRAIN PAN

MODEL	LRB-771PC	LRB-1471PC	LFB-771PC	LFB-1471PC
Spec	-	-	115V 90W	115V 90W
Part code	(DY) -	-	R7303-174	R7303-184
Image				


5-31. SENSOR BRACKET

MODEL	LRB-771PC/PCG	LRB-1471PC/PCG	LFB-771PC	LFB-1471PC
Spec	PP. WHT			
Part code	(DY)	R3314-192		
Image				


5-32. CASTER

MODEL	LRB-771PC/PCG	LRB-1471PC/PCG	LFB-771PC	LFB-1471PC
Spec	SPCC 4"			
Part code	(DY)	R3323-230,240, R397A-020 (WASHER CASTER)		
Image				


5-33. DOOR SWITCH

MODEL	LRB-771PC/PCG	LRB-1471PC/PCG	LFB-771PC	LFB-1471PC
Spec	WHITE. SP201R-9D			
Part code	(DY)	R7203-010		
Image				

5-34. DOOR LOCK

MODEL	LRB-771PC/PCG	LRB-1471PC/PCG	LFB-771PC	LFB-1471PC
Spec	ZDC. ZCR			
Part code	(DY)	R3739-010		
Image				


5-35. POWER SWITCH

MODEL	LRB-771PC/PCG	LRB-1471PC/PCG	LFB-771PC	LFB-1471PC
Spec	SL112A. 125V 15A			
Part code	(DY)	R7204-070		
Image				


5-36. ASSY SHELF CLIP

MODEL	LRB-771PC/PCG	LRB-1471PC/PCG	LFB-771PC	LFB-1471PC
Spec	14 SET	26 SET	14 SET	26 SET
Part code	(DY) R8429-022	R8429-012	R8429-022	R8429-012
Image				

5-37. SHELF STANDARD. L

MODEL	LRB-771PC/PCG	LRB-1471PC/PCG	LFB-771PC	LFB-1471PC
Spec	T1.2*930			
Part code	(DY) R3373-630			
Image				


5-38. DOOR GASKET

MODEL	LRB-771PC/PCG	LRB-1471PC/PCG	LFB-771PC	LFB-1471PC
Spec	RD-PVC.BLK			
Part code	(DY) R338A-040			
Image				

5-38. DOOR STOP BUSHING/SHAFT

MODEL	LRB-771PC,LFB-771PC,LRB-1471PC,LFB-1471PC			
Spec	분말야금 ϕ 24*31 IN 도금		분말야금 34*66 IN 도금	
Part code	(DY) R3393-530 RH	R3393-550 LF	R3393-520 RH	R3393-540 LF
Image				

5-39. DOOR HINGE TOP

MODEL	LRB-771PC	LRB-1471PC	LFB-771PC	LFB-1471PC
Spec	ZDC2. T10*42*64*63			
Part code	(DY)	R3393-313		
Image				

5-40. DOOR HINGE STOP BOTTOM

MODEL	LRB-771PC	LRB-1471PC	LFB-771PC	LFB-1471PC
Spec	ZDC2 T10*42*63			
Part code	(DY)	R3393-560		
Image				

5-41. DOOR HINGE STOP PIN

MODEL	LRB-771PC/PCG	LRB-1471PC/PCG	LFB-771PC	LFB-1471PC
Spec	8*25M. STS304			
Part code	(DY)	R3044-080		
Image				



5-42. BOTTOM GRILL

MODEL	LRB-771PC	LRB-1471PC	LFB-771PC	LFB-1471PC	LRB-771PCG	LRB-1471PCG	
Spec	STAINLESS	STAINLESS	STAINLESS	STAINLESS	STAINLESS	STAINLESS	
Part code	(DY)	R8182-081	R818A-300	R818A-310	R818A-300	R8182-380	R8182-520
Image							


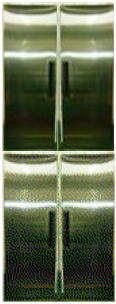

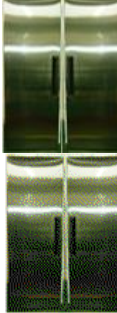
5-43. DOOR HINGE SHAFT UPP

MODEL	LRB-771PC	LRB-1471PC	LFB-771PC	LFB-1471PC
Spec	ø 12*61, SM45C			
Part code	(DY)	R3044-050		
Image				

5-44. ASSY CROSS BAR

MODEL	LRB-771PC	LRB-1471PC	LFB-771PC	LFB-1471PC
Spec	-	115V, 30W	-	115V, 38W
Part code	(DY)	R816A-201	-	R816A-211
Image	-		-	

5-45. DOOR ASSY

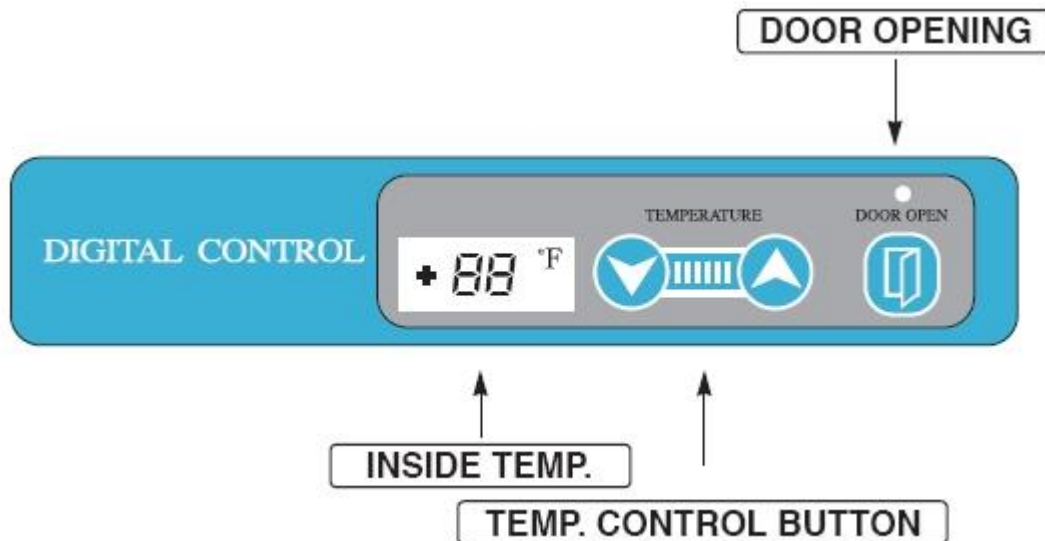
MODEL	LRB-771PC	LRB-1471PC	LFB-771PC	LFB-1471PC
Spec	BR1, BF1	RH, LF	BR1, BF1	RH, LF
Part code	(DY)	R817A-140	R817A-140	R817A-130,140
Image				

MODEL	LRB-771PCG	LRB-1471PCG		
Spec	BR1, BF1	RH, LF		
Part code	(DY)	R817B-080	R817B-070,080	
Image				

6. ELECTRONIC CONTROL INSTRUCTIONS

6-1. FREEZER CONTROL

6-1-1. HOW TO USE THE DISPLAY PCB PANEL



1. UP/DOWN BUTTON (Temperature control button)

- By pushing the up/down button, you can set the inside temperature.

2. DEFROST


- The electronic defrost controller is set at the factory to provide a defrost cycle every 8 hours.
- Once all frost is eliminated, the defrost control is changed to the freezer mode.
- The panel displays "Df" during the defrost.

3. DOOR OPENING INDICATOR

- If door is opened, door opening indicator will be turned on.
- If the door is left open for 3 minutes an alarm will sound continuously.
- The alarm will stop immediately upon closing the door.

6. ELECTRONIC CONTROL INSTRUCTIONS

6-1-2. FUNCTION TABLE & MANUAL DEFROST

NO	Function	Controlled Part	Description
1	Initial Operation		<ol style="list-style-type: none"> 1. LED displays inside temperature. 2. Begins to run immediately if higher than 50°F and begins to run after 5 minutes pause if lower than 50°F.
2	Temperature Control	Compressor LED	<ol style="list-style-type: none"> 1. The Temperature can be changed by pushing up/down buttons. 2. LED displays inside temperature 3. Buzzer buzzes 1 time whenever a button is pressed 4. Compressor automatically turns on and off by C-sensor (Except error mode) 5. Comp. On/off temperature at C-sensor (°F) Setting 5.03.01.0-1.0-2.0 Comp On 86321 Comp Off 20-3-4-5 Setting -3.0-5.0-7.0-9.0 Comp On 0-2-4-6 Comp Off -6-7-9-10.5
3	Defrost Function	Heater Compressor	<ol style="list-style-type: none"> 1) Defrost function is controlled time interval setting. 2) Factory setting is every 8 hours. 3) If it becomes defrost cycle time, Defrost heater is operated when D-sensor senses below 23°F. 4) Defrost heater terminates when D-sensor temperature comes to above 53°F, then compressor will start after 10 minutes. 5) During defrost period, LED displays dF. 6) If D-sensor does not cut off defrost heater, main pcb has a back up for defrost time, the maximum is 40 minutes. 7) Defrost can be set by pushing the button for 3 seconds. (3h, 6h, 9h, 10h(ah)) 
4	Error Display	LED	<ol style="list-style-type: none"> 1) Press 'up' button 3 times while pressing and holding 'down' button. Above procedure switches normal display to error display mode. And then 88 LED indicates, '(D1)' or '(F3)' or '(C1)' respectively. 2) 10 seconds after the last button pressed, error display mode will be switched to normal display mode.

6. ELECTRONIC CONTROL INSTRUCTIONS

6-1-3. ERROR CODE TABLE

CODE	Content	Indicates	Refrigeration state
CO	C-sensor	- OPEN	- Normal operation - Time control Comp ON : 6 MINUTES Comp OFF: 11 MINUTES
CS		- SHORT	
(D1) (F3) (C1)	D-sensor	- OPEN	
		- SHORT	

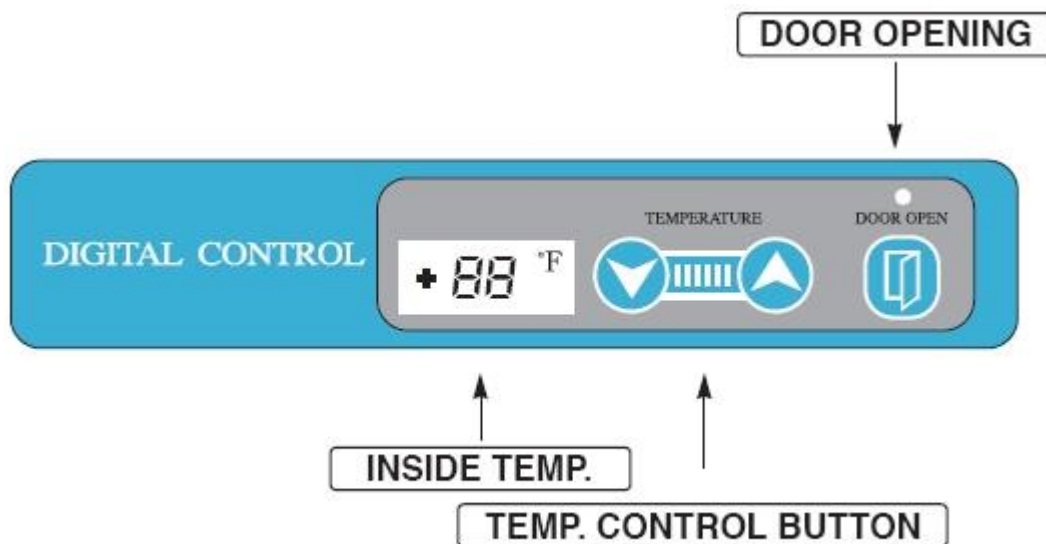
6-1-4. SENSOR DESCRIPTION

Sensor	Model	Role	Wire Color
D-sensor	Freezer	Detect Evap coil's temp. to start and terminate defrosting.	WHT
C-sensor	Freezer	Detect inside air temp. to operate comp and to indicate the inside temp. on the display PCB	BLK
	Refrigerator	Detect Evap coil's temp. to operate comp	BLK
T-sensor	Refrigerator	Detect inside air temp. to indicate the inside temp on the display PCB	WHT

6. ELECTRONIC CONTROL INSTRUCTIONS

6-2. REFRIGERATOR CONTROL

6-2-1. HOW TO USE THE DISPLAY PCB PANEL



1. UP/DOWN BUTTON (Temperature control button)


- By pushing the up/down, you can set the inside temperature.

2. DOOR OPENING INDICATOR

- If door is opened, door opening indicator will be turned on.
- If the door is left open for 3 minutes an alarm will sound continuously.
- The alarm will stop immediately upon closing the door.

6. ELECTRONIC CONTROL INSTRUCTIONS

6-2-2. FUNCTION TABLE

NO	Function	Controlled Part	Description																																				
1	Initial Operation		<ol style="list-style-type: none"> 1. LED displays inside temperature. 2. Begins to run immediately if higher than 41°F and begin to run after 5 minutes pause if lower than 41°F. 																																				
2	Temperature Control	Compressor LED	<ol style="list-style-type: none"> 1. The Temperature can be changed by pushing up/down buttons. 2. LED displays inside temperature 3. Buzzer buzzes 1 time whenever a button is pressed 4. Compressor automatically turns on and off by C-sensor (Except error mode) 5. Comp. On/off temperature at C-sensor(°F) <table style="margin-left: 20px;"> <tr> <td>Setting</td> <td>39</td> <td>38</td> <td>37</td> <td>36</td> <td>35</td> </tr> <tr> <td>Comp On</td> <td>42</td> <td>41</td> <td>40</td> <td>39</td> <td>38</td> </tr> <tr> <td>Comp Off</td> <td>36</td> <td>35</td> <td>34</td> <td>33</td> <td>32</td> </tr> <tr> <td>Setting</td> <td>34</td> <td>32</td> <td>30</td> <td>28</td> <td></td> </tr> <tr> <td>Comp On</td> <td>37</td> <td>35</td> <td>34</td> <td>32</td> <td></td> </tr> <tr> <td>Comp Off</td> <td>31</td> <td>29</td> <td>28</td> <td>26</td> <td></td> </tr> </table> 	Setting	39	38	37	36	35	Comp On	42	41	40	39	38	Comp Off	36	35	34	33	32	Setting	34	32	30	28		Comp On	37	35	34	32		Comp Off	31	29	28	26	
Setting	39	38	37	36	35																																		
Comp On	42	41	40	39	38																																		
Comp Off	36	35	34	33	32																																		
Setting	34	32	30	28																																			
Comp On	37	35	34	32																																			
Comp Off	31	29	28	26																																			
3	Error Display	LED	<ol style="list-style-type: none"> 1) Press 'up' button 3 times while pressing and holding 'down' button. Above procedure switches normal display to error display mode. And then 88 LED indicates, '(D1)' or '(C1)' respectively. 2) 10 seconds after the last button pressed, error display mode will be switched to normal display mode. 																																				
4	Defrost Function	Compressor	<ol style="list-style-type: none"> 1) Defrost can be set by pushing the button for 3 seconds. (3h, 6h, 9h, 10h(ah)) <div style="text-align: center; margin: 10px 0;">  </div> 2) While the compressor runs for over 3 hours, defrost system will automatically be driven without any additional control order. 																																				

NO	Description	
4	How to control the Defrost interval	<ol style="list-style-type: none"> 1. Press the Up key for 3 seconds. 2. The Defrost interval currently set will be displayed (Factory default : 8H). 3. Select the other interval by pushing the Up Key. (5H → 6H → 8H → 5H in rotation) 4. Leaving it untouched for 3 seconds will resume the normal operation.
5	Forced Defrost	<ol style="list-style-type: none"> 1. Press Up/Down simultaneously for 3 seconds to activate the Defrost manually. 2. The 'dF" will get displayed and the defrost will start. 3. To change or see the Defrost duration, press Up key. 4. Leaving the Key untouched for 3seconds will resume the letter "dF" 5. To deactivate the Defrost press the Up/Down key simultaneously for 3seconds. Otherwise the defrost will] continue for the duration set in 3).
6	How to change the setup of Box Heater Control (Power Duration)	<ol style="list-style-type: none"> 1. Press the Down key for 3 seconds to activate the setup. 2. The initial control value will be displayed (Default value : 1) 3. Change the value by pressing the Down Key (1->2->3->4->1 in rotation) 4. The temperature will be displayed 3seconds after leaving the key untouched. Meaning : 1-> On 10 min. / Off 10 min. 2-> On 15 min. / Off 10 min. 3-> On 20 min. / Off 10 min. 4-> On 25 min. / Off 15 min.

6. ELECTRONIC CONTROL INSTRUCTIONS

6-2-3. ERROR CODE

CODE	Content	Indicates	Refrigeration state
tO	T-sensor	- OPEN	- Normal operation - Time control Comp ON : 18 MINUTES Comp OFF : 6 MINUTES
ts		- SHORT	
(D1)	C-sensor	- OPEN	
(C1)		- SHORT	

7. REPLACEMENT OF MAIN COMPONENTS

7-1. TOP PANEL PARTS

- MAIN PCB
- LOCK ASSEMBLY or POWER SWITCH
- DOOR SWITCH

A. Remove the screws located on top grill panel.



■ CAUTION

- DISCONNECT FROM POWER SOURCE BEFORE SERVICING

7. REPLACEMENT OF MAIN COMPONENTS

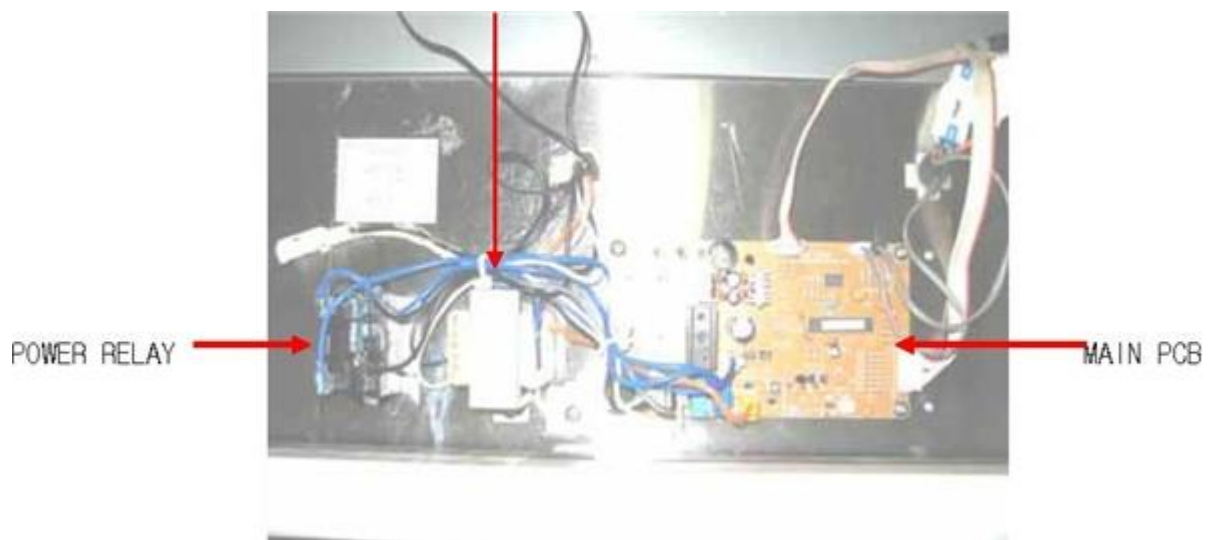
B. Remove the screws located on bottom of top panel.

caution : When unscrewing, hold the top panel.



POWER TRANSFORMER

C. Place the top panel on top of the cabinet.



■ CAUTION

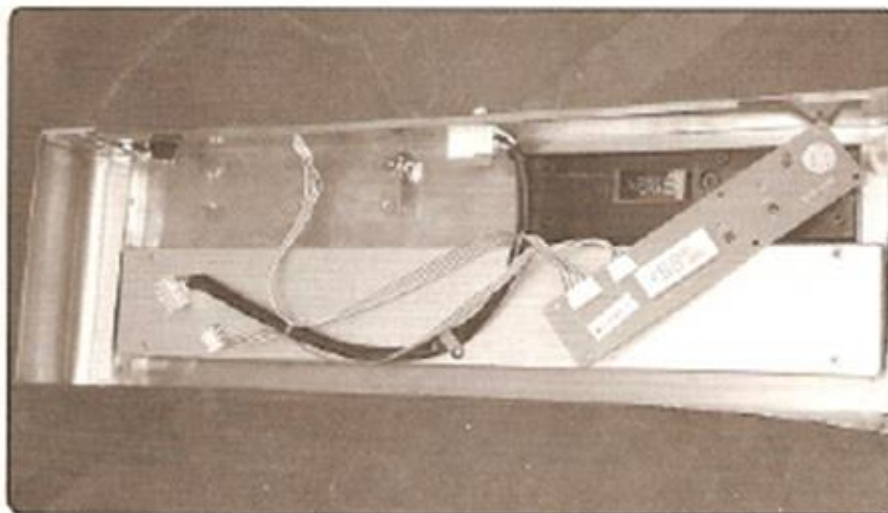
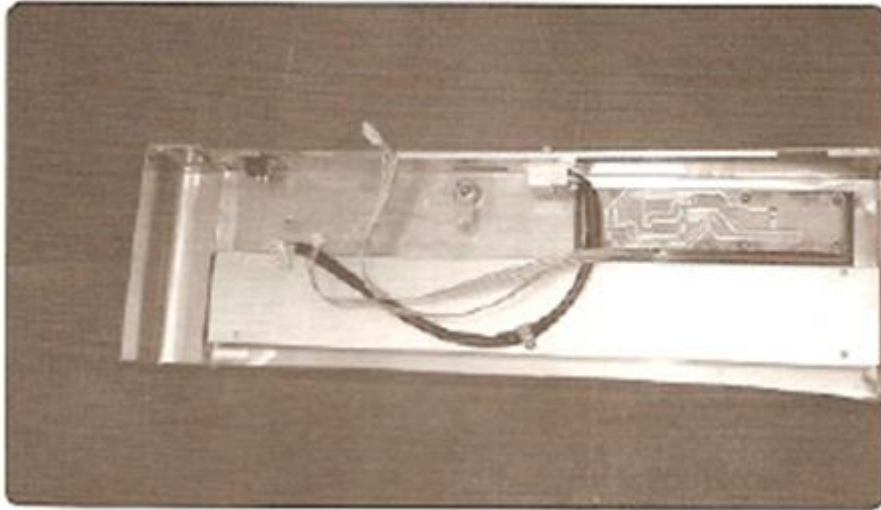
- DISCONNECT FROM POWER SOURCE BEFORE SERVICING

7. REPLACEMENT OF MAIN COMPONENTS

E. Pull out the harness located on back of top panel.

You can separate top panel out of the unit.

You can replace power switch, lamp switch and display PCB.



■ CAUTION

- DISCONNECT FROM POWER SOURCE BEFORE SERVICING

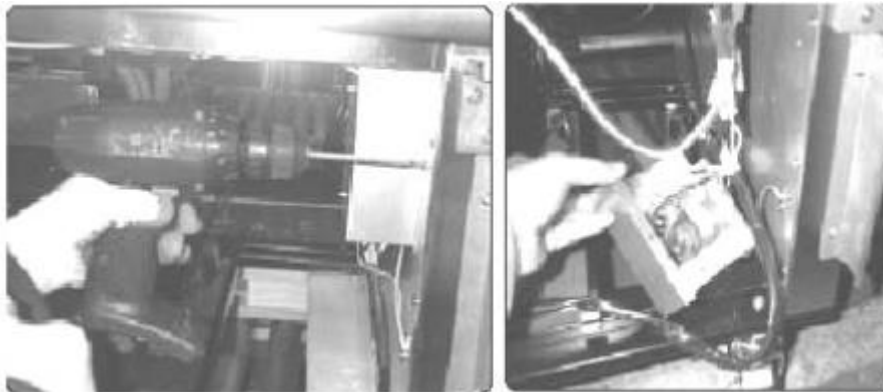
7. REPLACEMENT OF MAIN COMPONENTS

7-2. REPLACING DOOR

- A. Disassemble top panel as described section 6-1 A,B
- B. Remove bottom grill by unscrewing the four screws located on each side of bottom grill.



- C. Open the capacitor cover.



※ Reference

- If a door for left hand is necessary, please contact the sales representative in your area.
- A set of door & Door hinge can be purchased separately to convertible between Right Hand and Left Hand side.

■ CAUTION

- DISCONNECT FROM POWER SOURCE BEFORE SERVICING

7. REPLACEMENT OF MAIN COMPONENTS

D. Remove the hinge.



■ CAUTION

- DISCONNECT FROM POWER SOURCE BEFORE SERVICING

7. REPLACEMENT OF MAIN COMPONENTS

7-3. DOOR SPRING ADJUSTMENT

A. Detailed structure of DOOR HINGE



B. Coordinated principle of DOOR TENSION

After Putting Tool for revolving DOOR-HINGE STOP-PIN HOLE, Insert Door Hinge STOP-PIN into the hole after revolving up to the requested TENSION.



■ CAUTION

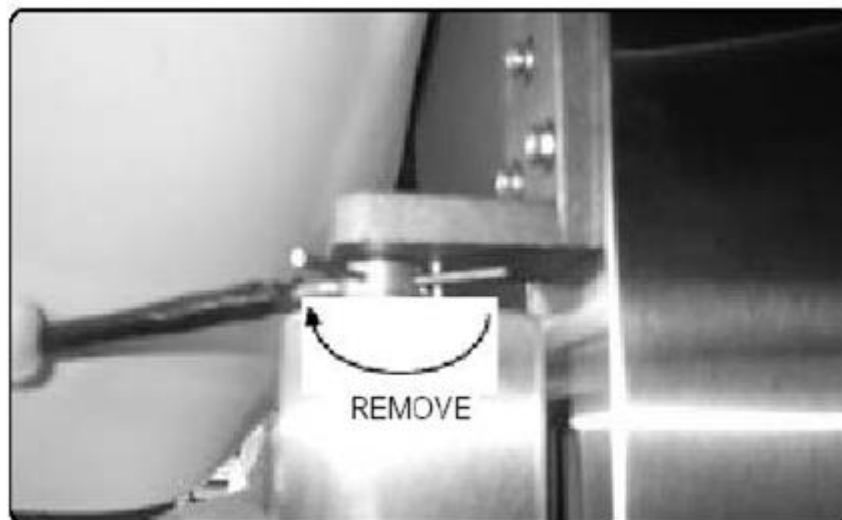
- DISCONNECT FROM POWER SOURCE BEFORE SERVICING

7. REPLACEMENT OF MAIN COMPONENTS

C. Remove the door hinge stop pin.



D. Place the door hinge stop pin and adjust the strength of the door spring.



■ CAUTION

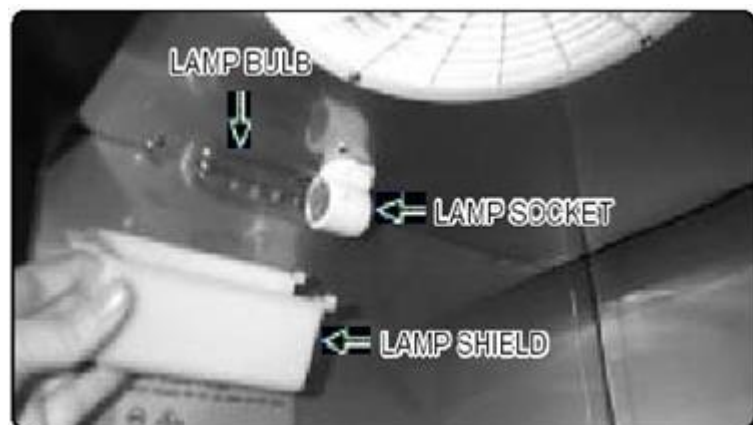
- DISCONNECT FROM POWER SOURCE BEFORE SERVICING

7. REPLACEMENT OF MAIN COMPONENTS

7-4. REFRIGERATION COMPARTMENT'S PARTS

- LAMP BULB, LAMP SHIELD
- EVAPORATOR FAN MOTOR
- EVAPORATOR DEFROST HEATER
- EVAPORATOR COIL
- D-SENSOR, C-SENSOR, T-SENSOR
- ? DRAIN HOSE HEATER

A. Disassemble lamp shield



B. Disassemble Evaporator Panel



7. REPLACEMENT OF MAIN COMPONENTS

C. Pull out the lamp



D. Replacing evaporator fan motor.

A-1. Disconnect the fan motor's harness.

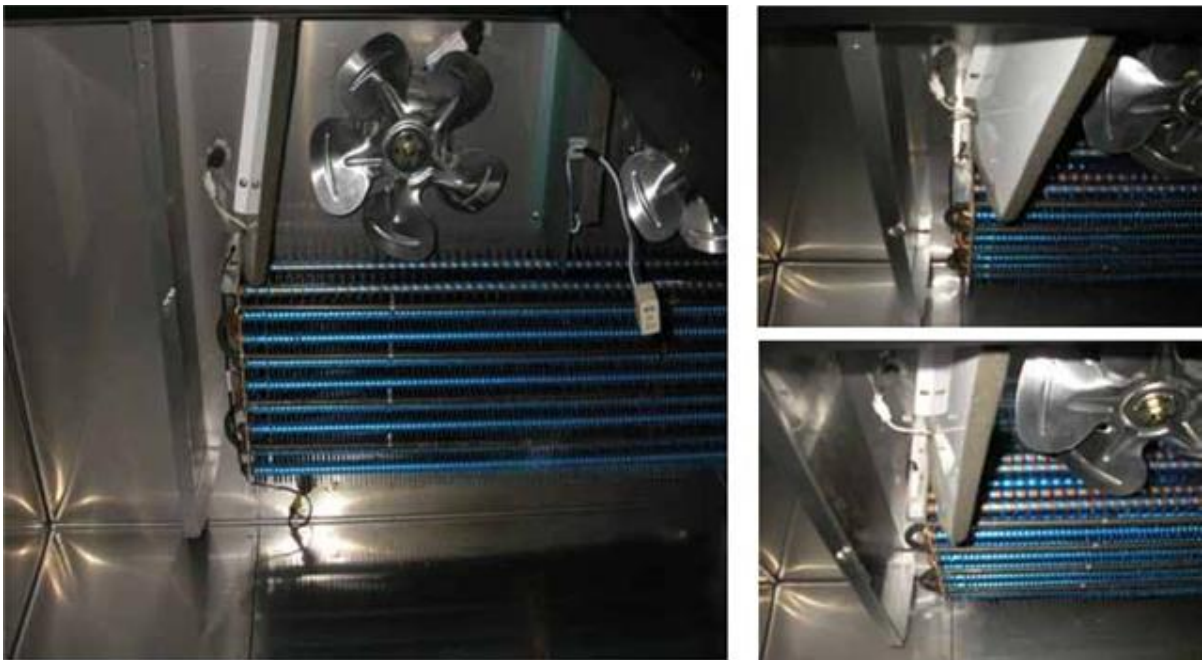
A-2. Remove the four screws that are located on bottom of fan motor.



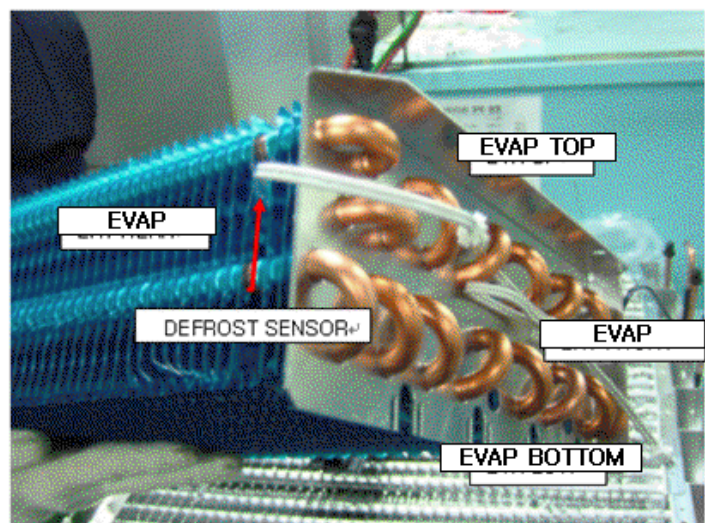
7. REPLACEMENT OF MAIN COMPONENTS

E. Replacing sensor

E-1. FREEZER C-sensor : Remove as illustrated below and pull-out the FREEZER C-sensor from the cover.



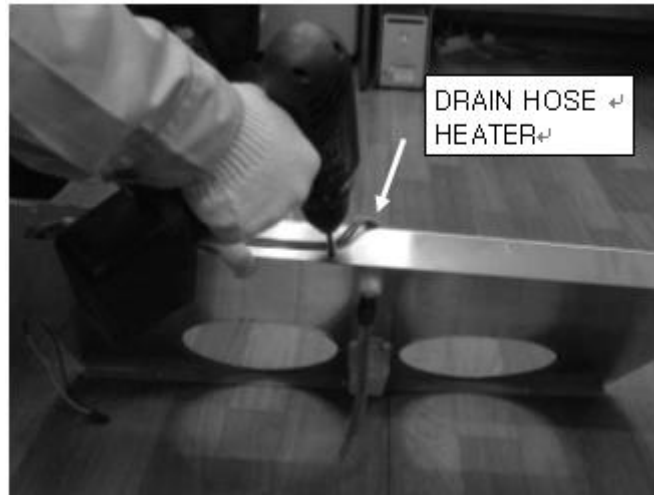
E-2. FREEZER D-sensor



7. REPLACEMENT OF MAIN COMPONENTS

F. Drain hose heater

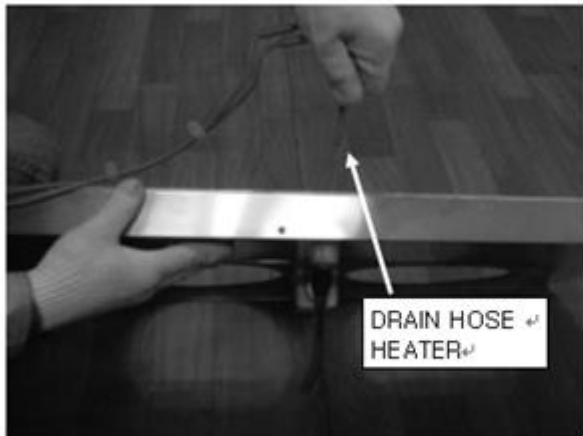
F-1. After separating Evaporator cover from the freezer, set aside the screws.



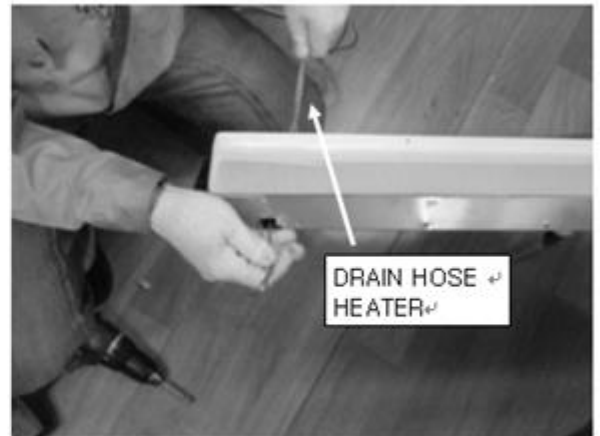
F-2. Pull out the heater for drain hose from the Evaporator.

Cover and eliminate it with care in the direction of front side.

F-3. Install the new heater for drain hose in reverse order.



F-2



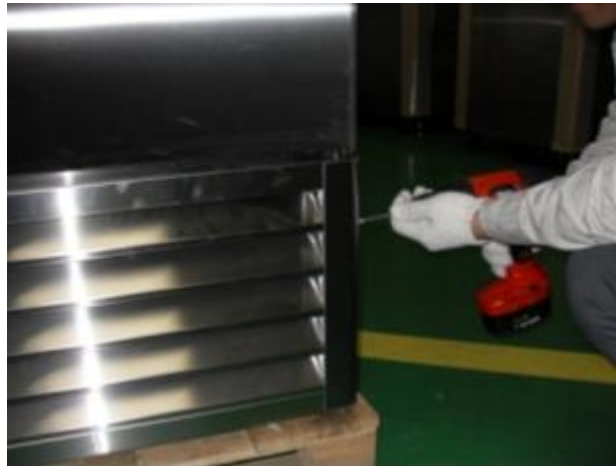
F-3

7. REPLACEMENT OF MAIN COMPONENTS

7-5. UNIT – PARTS

A. How to replace the COMPRESSOR, its Parts and Refrigerant.

A-1. Remove the Mounting Screws from the sides of the front BOTTOM GRILL.



A-2. Remove the BOTTOM GRILLE as the picture



7. REPLACEMENT OF MAIN COMPONENTS

A-3. Remove the front Screws for the UNIT BASE.



A-4. Pull out the UNIT BASE to the front side.



7. REPLACEMENT OF MAIN COMPONENTS

A-5. Remove the pipe connected to the COMPRESSOR.



A-6. Remove the COMPRESSOR Mounting SCREWS, Replace the COMPRESSOR and weld the piping.



7. REPLACEMENT OF MAIN COMPONENTS

A-7. Remove the side Cover of the COMPRESSOR.



A-8. Replace the O.L.P/PTC RELAYS.



7. REPLACEMENT OF MAIN COMPONENTS

A-9. Vacuum the Pipe at least 30 ~ 40 minutes and make enough vacuum.



A-10. Fill up the Refrigerant in the volume set forth in the service manual.



A-11. After the refrigerant is filled up, check any gas leakage with soap bubbles.

A-12. Put all the parts together in the retro sequence of the disassembly.

7. REPLACEMENT OF MAIN COMPONENTS

B. BALLAST

1. Remove four screws securing the sign frame end separate sign frame end.
2. Separate connector of the Ballast.



3. Remove two screws for separating the Ballast.



8. PART-LIST

Code	Part name	Description	Solid					
			R23	F23	R49	F49	23RG	49RG
EVAPORATOR								
R2263-048	EVAPORATOR COIL(EVAPORATOR)	CU+AL				1		1
R8613-345	EVAPORATOR COIL(EVAPORATOR ASSY)	CU+AL			1			
R2263-038	EVAPORATOR COIL(EVAPORATOR)	CU+AL			1			1
R8613-355	EVAPORATOR COIL(EVAPORATOR ASSY)	CU+AL	1					
R7303-412	DEFROST HEATER	UL 115V 600W				1		
R7303-402	DEFROST HEATER	UL 115V 600W			1			
R7303-184	HEATER DRAIN PAN	115V 90W				1		
R7303-174	HEATER DRAIN PAN	115V 90W			1	1		
R3314-192	SENSOR BRACKET	P.P WHT	1	1	1	1	1	1
R7253-052	EVAPORATOR THERMAL FUSE(BIMETAL)				1	1		
R7423-301	EVAPORATOR FAN MOTOR	AC 115V60HZ DAI-8204DYCA-1CC	1	1	1	2	1	2
R3729-010	FAN BALDE	8" C.C.W	1	1	1	2	1	2
R3204-360	EVAPORATOR FAN MOTOR BRACKET	STS-304 T1.0*120*90	1	1	1	2	1	2
R7213-082	TEMP-THERMISTOR, FRE	YELLOW		1		1		
R7213-210	DEFROST SENSOR(D-SENSOR)	BLACK. L=180mm		1		1		
R7213-112	TEMP-DISPLAY SENSOR,REF	WHITE	1	1			1	1
TOP PANEL								
R818A-290	TOP GRILL ASSY	STAINLESS	1	1				
R818A-570	TOP GRILL ASSY	STAINLESS		1			1	
R818A-270	TOP GRILL ASSY	STAINLESS			1	1		
R818A-270	TOP GRILL ASSY	STAINLESS						1
R5133-160	MASCOT	AL 157.7*40	1	1	1	1		
R725A-321	MAIN PCB	FR1 BM 115V ℃ BMF115C-03		1				
R725B-250	MAIN PCB	FR1 BM 115V ℃ BMR115C-01				1		
R725A-312	MAIN PCB	FR1 BM 115V ℃ BMR115C-04	1					
R725B-242	MAIN PCB	FR1 BM 115V ℃ BMR115C-A1						1
R4142-123	CONTROL BOARD (DIGITAL DISPLAY)	ABS BLACK T2*242*72	1	1	1	1	1	1
R7113-560	DISPLAY PCB	℃	1	1	1	1		
R4113-371	INLAY CONTROL	PC SHEET	1	1	1	1		
R3084-010	SUPPORTER PCB	NYLON NO 66 M4*8	4	4	4	4		
R748A-020	POWER RELAY	PANASONIC HE1AN-Q-DC12V 30A				1		1
R7203-010	DOOR SWITCH	SP201-7D 125VAC1.5A	1	2	1	2	1	2
R7483-130	HARNESS SWITCH C	UL AWG 18		1		1	1	1
R7483-140	HARNESS SWITCH D	AWG 18		1	1			
R3739-010	DOOR LOCK	ZDC, ZCR	1	2	1	2	1	2

8. PART-LIST

Code	Part name	Description	Solid					
			R23	F23	R49	F49	23RG	49RG
BOTTOM GRILL								
R818A-310	ASSY GRILL BOTTOM	SPOT WELD R10	1	1				
R818A-300	ASSY GRILL BOTTOM	SPOT WELD R10			1	1		
R818A-550	ASSY GRILL BOTTOM	SPOT WELD R10					1	
R818A-560	ASSY GRILL BOTTOM	SPOT WELD R10						1
SHELF								
R8429-012	ASSY SHELF CLIP	26SET			1	1		1
R8429-022	ASSY SHELF CLIP	14SET	1	1			1	
R3373-630	SHELF STANDARD , L	T1.2*930MM	4	4	8	8	4	8
DOOR								
R817A-130	ASSY DOOR, LF	STAINLESS		1	1	1		
R817A-140	ASSY DOOR, RH	STAINLESS	1		1	1		
R338A-080	GASKET DOOR	RD-PVC BLACK	1	2	1	2	1	2
R817B-080	ASSY DOOR GLASS RH	669* 115V/20W 661Ω					1	1
R817B-070	ASSY DOOR GLASS LF	669* 115V/20W 661Ω						1
R816A-201	ASSY CROSS BAR	115V 30W			1			
R816A-211	ASSY CROSS BAR	115V 38W				1		
R816A-171	ASSY CROSS BAR	115V 30W						1
R828A-065	ASSY HINGE TOP RH	STS304 T=4.0	1	1	1	1		
R828A-055	ASSY HINGE TOP LF	STS304 T=4.0			1	1		
R3393-313	DOOR HINGE TOP	T10*48*65.6*63 ZNDC2					1	2
R370A-030	SHAFT TOP HINGE	SUM24L φ 15*45L	1	2	1	1		
R375A-010	STOPPER HINGE RH	POM(FW700S) 45.5*31*8	1	1	1	1		
R375A-020	STOPPER HINGE LF	POM(FW700S) 45.5*31*8			1	1		
R375A-032	STOPPER DOOR RH	POM(FW700S)	1	1	1	1		
R375A-042	STOPPER DOOR LF	POM(FW700S)			1	1		
LAMP								
R325A-141	COVER LAMP	PC MILKI WHITE	1	1	1	1		
R313A-050	BODY LAMP	HIPS 60HRI 112*20.7*21	1	1	1	1		
R723A-040	LAMP LED ASSY	FR1 DC 12V LED LAMP 4P	1	1	1	1		
R7393-150	FLUORESCENT LAMP	115V 32W(30236D0500)					1	1
R3812-141	EVAPORATOR FAN(MOTOR)GUARD	HIPS (VH-1800EX)	1	1	1	2	1	1
R3739-020	KEY		1	2	1	2	1	2
R7204-070	POWER SWITCH	SL112A 125V 15A	1	1	1	1	1	1